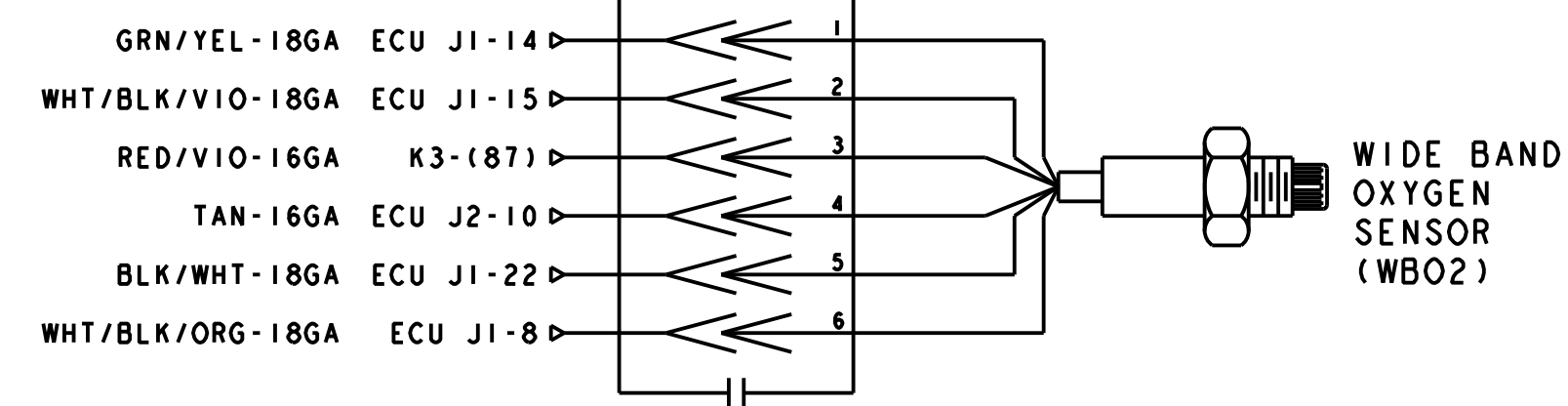
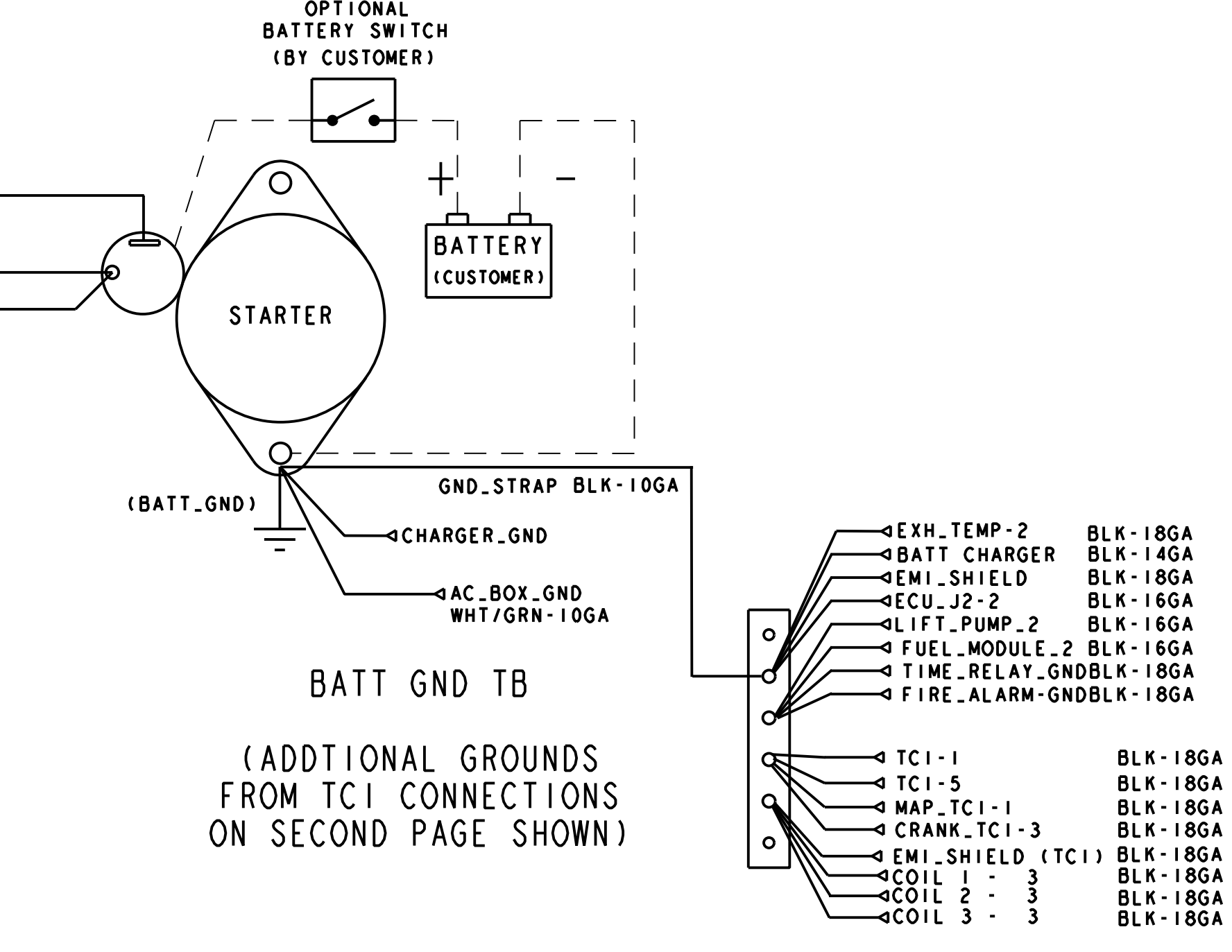
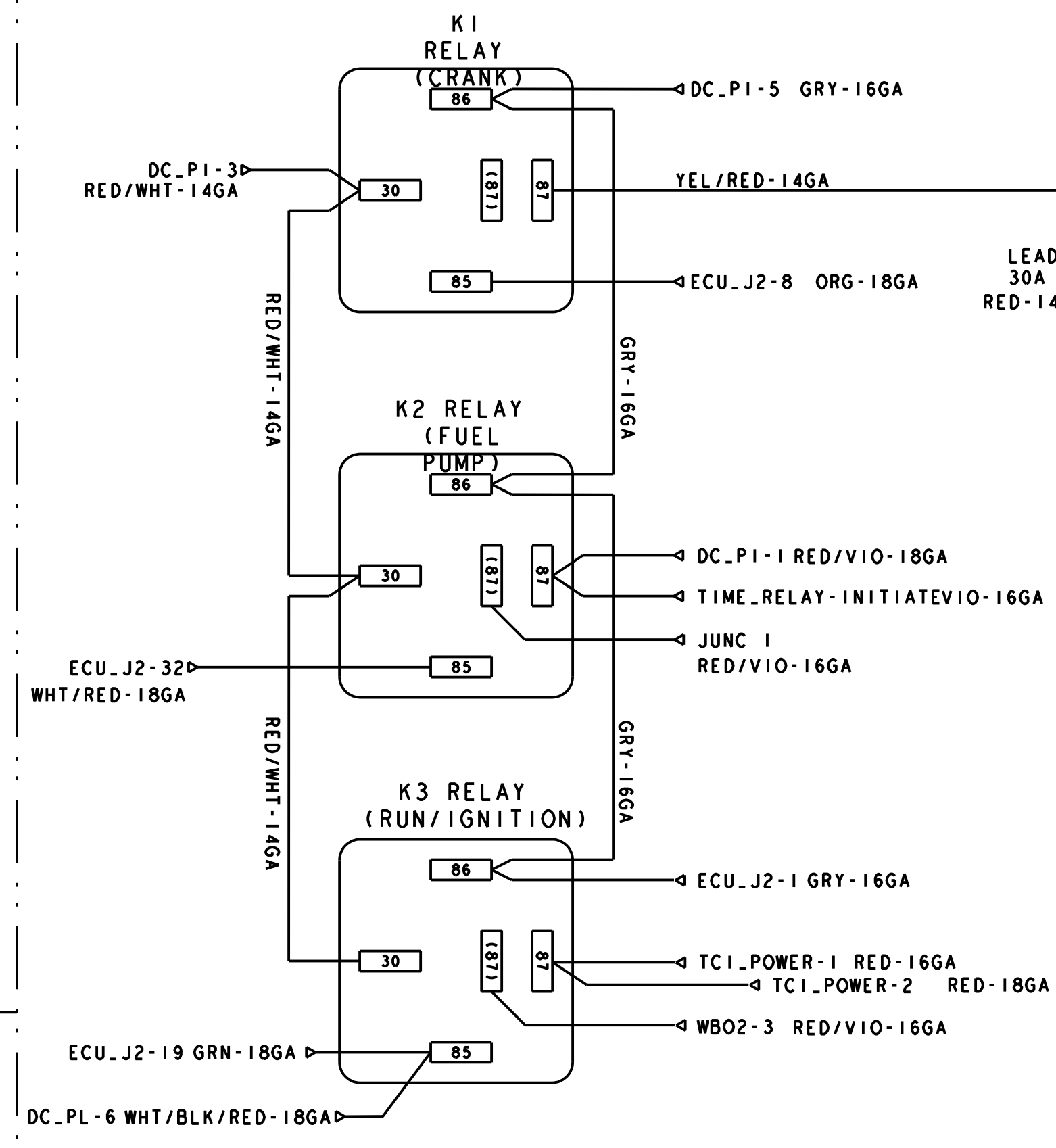
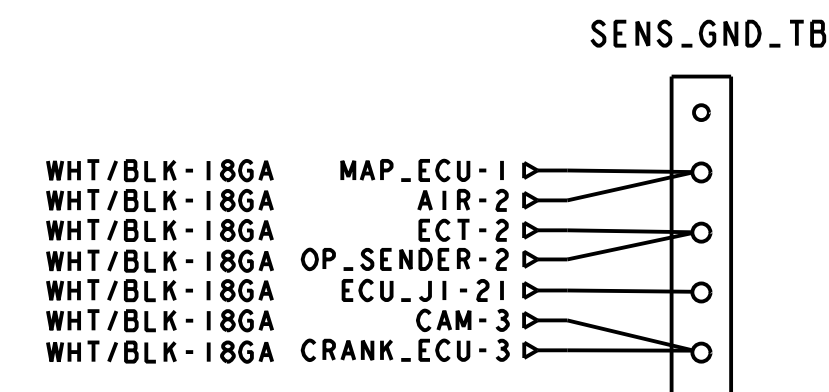


CONNECTIONS LOCATED ON ECU

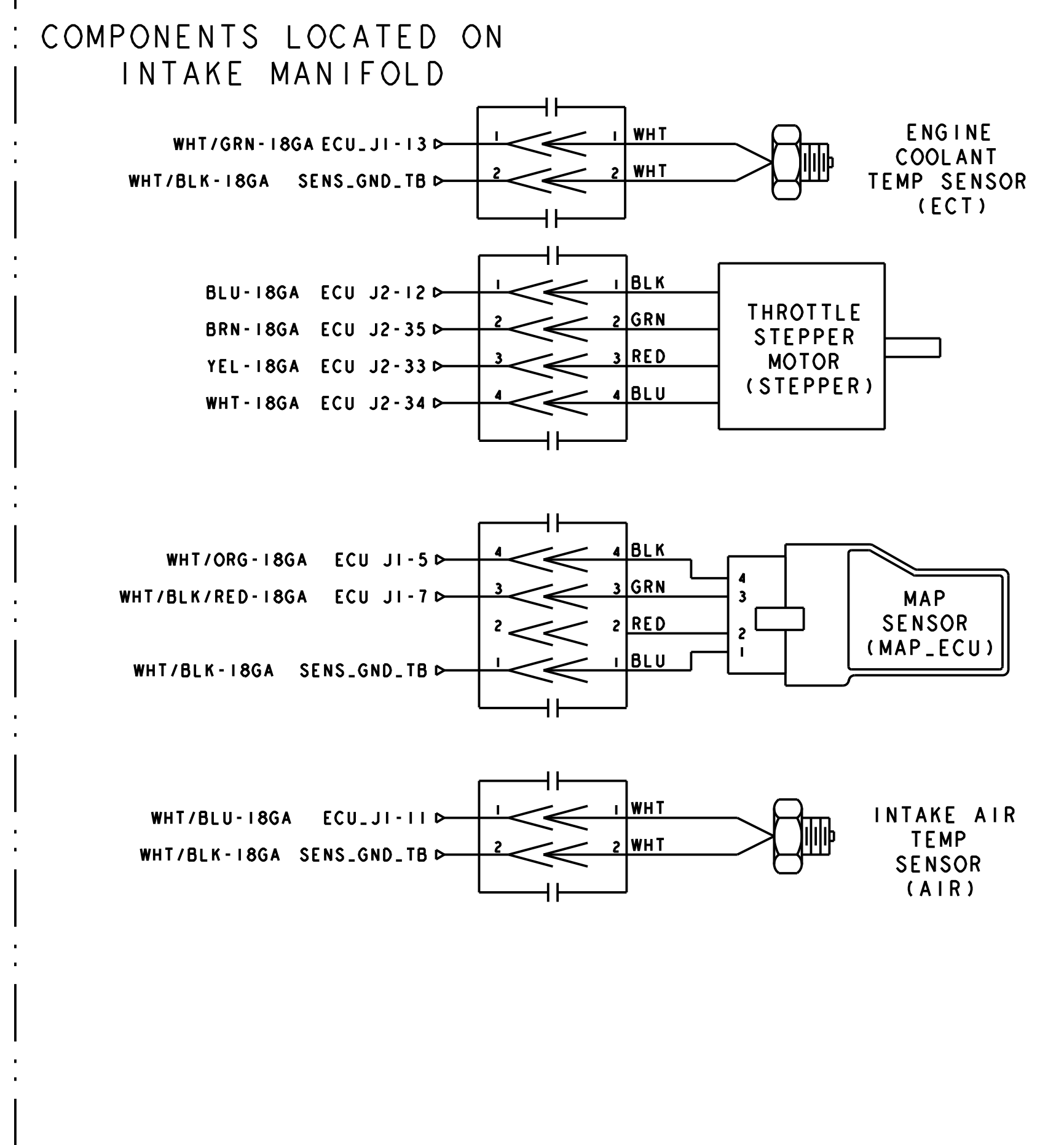
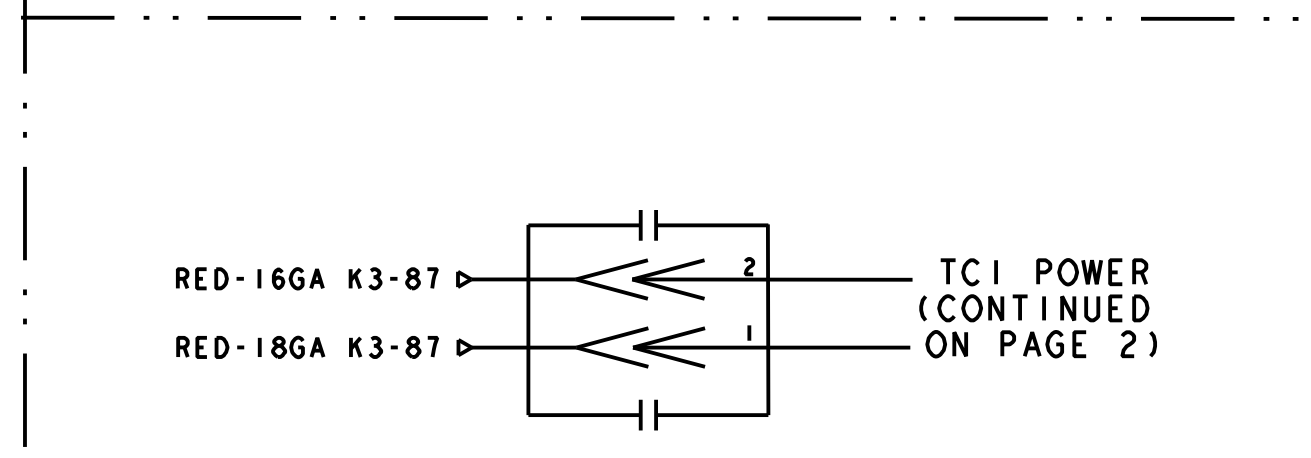


COMPONENTS LOCATED ON EXHAUST SYSTEM

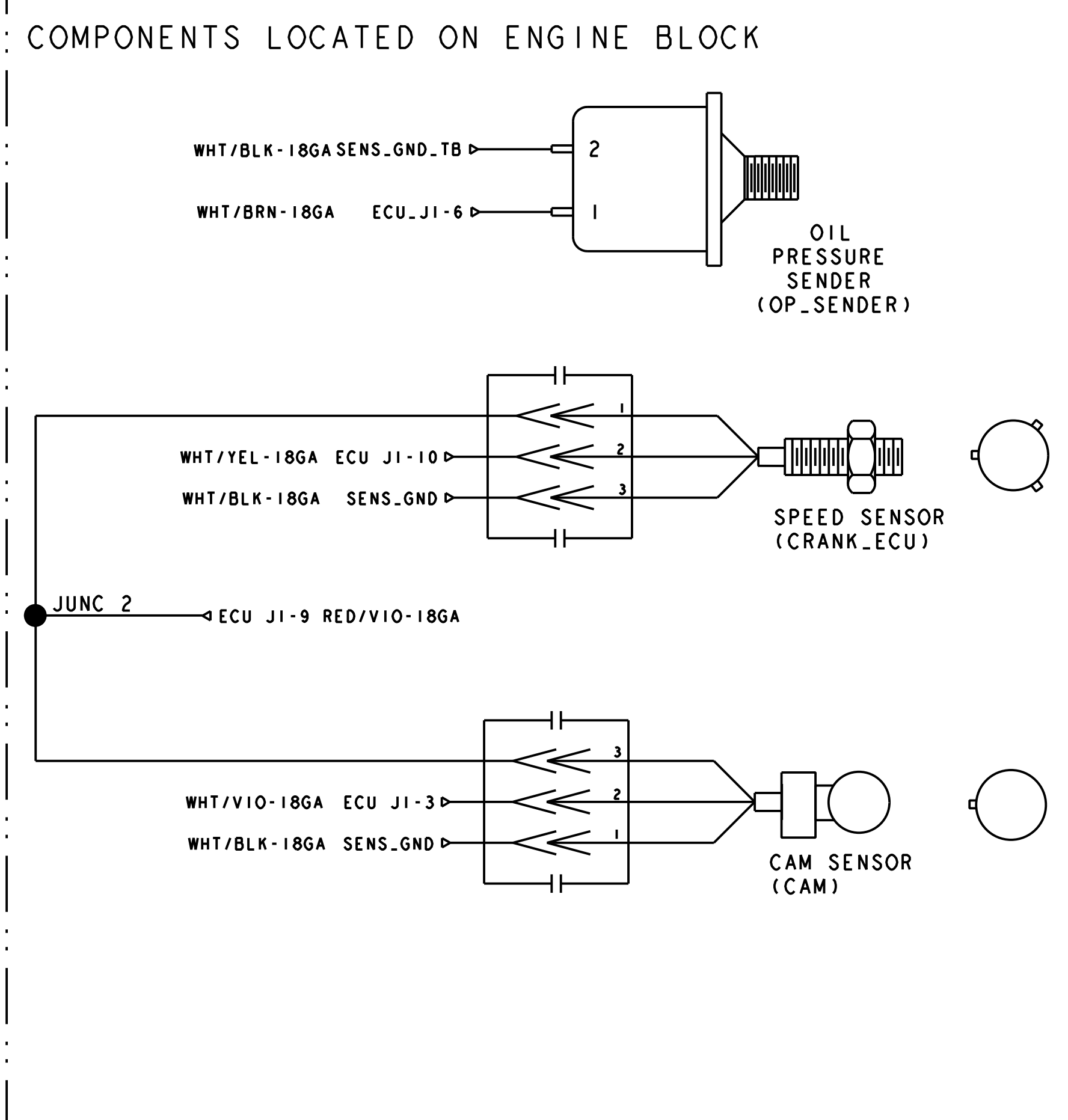


BATT GND TB  
(ADDITIONAL GROUNDS FROM TCI CONNECTIONS ON SECOND PAGE SHOWN)

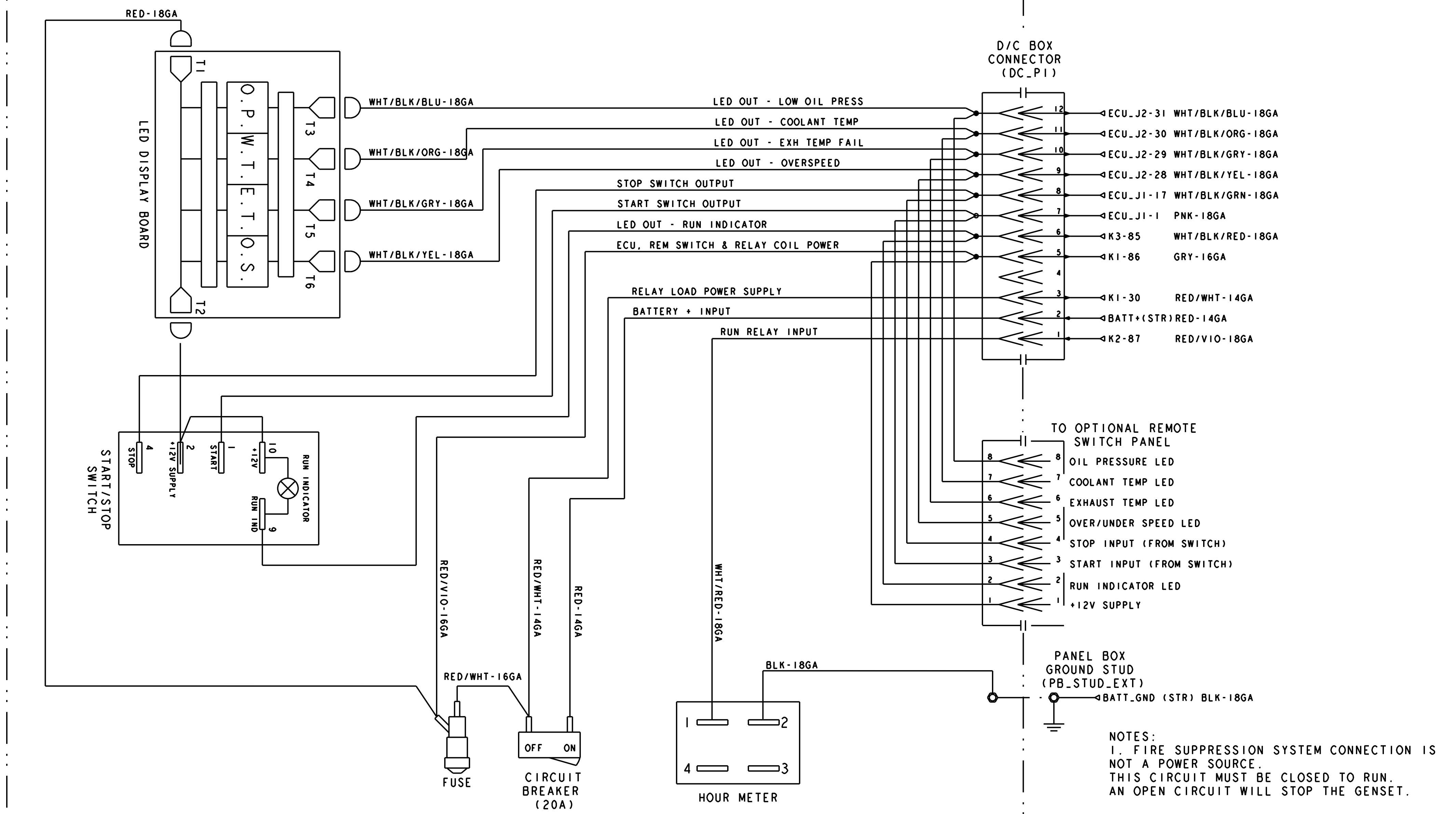
NOTE: SEE PAGE 2 FOR TCI SCHEMATIC



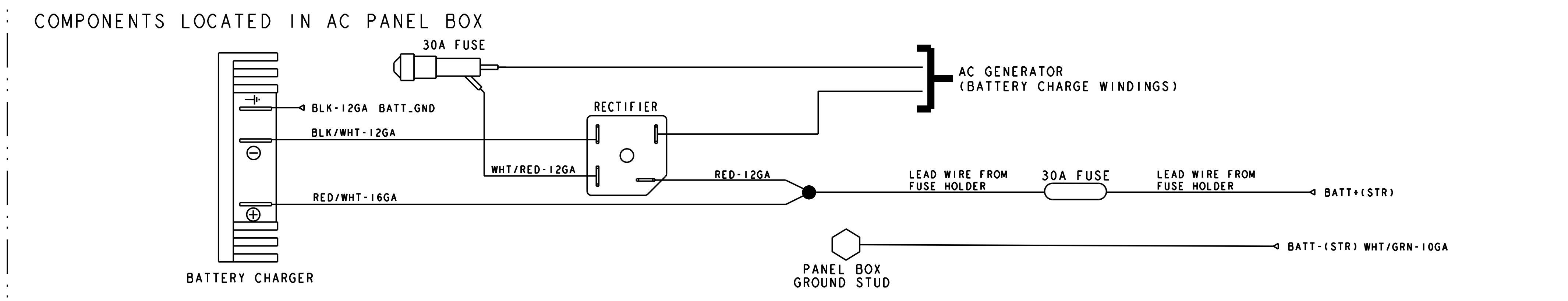
COMPONENTS LOCATED ON INTAKE MANIFOLD



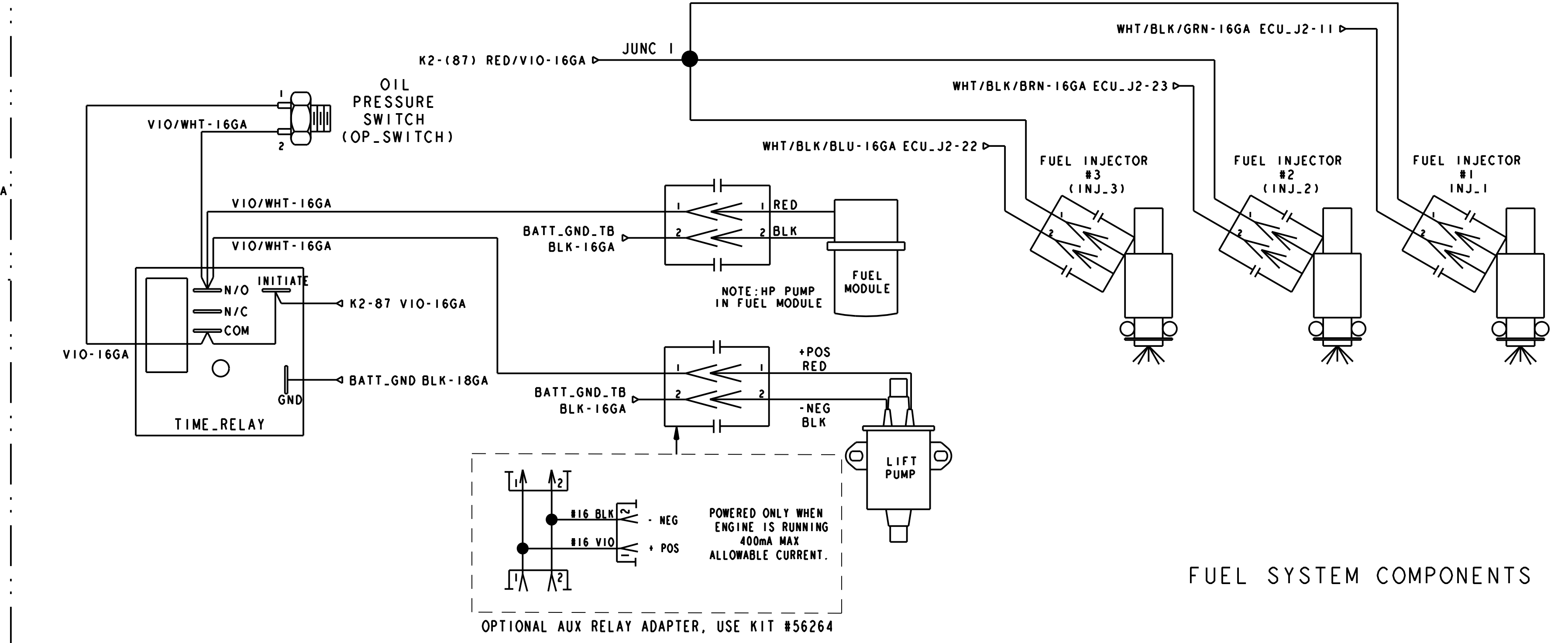
COMPONENTS LOCATED ON ENGINE BLOCK



COMPONENTS LOCATED IN DC CONTROL PANEL BOX



COMPONENTS LOCATED IN AC PANEL BOX

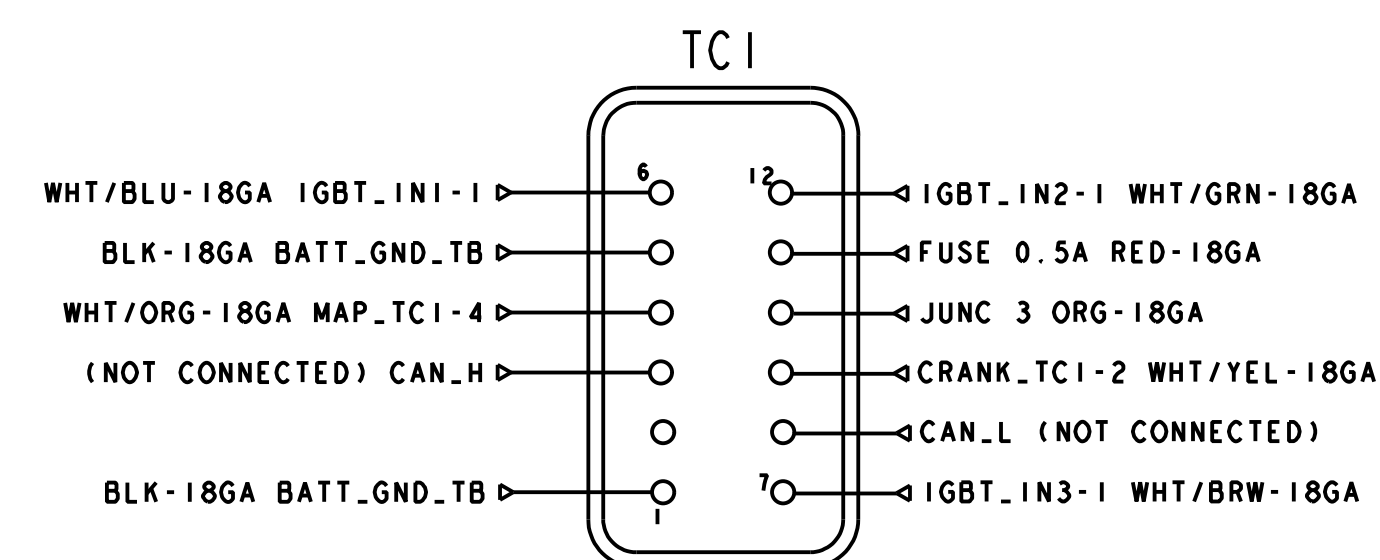
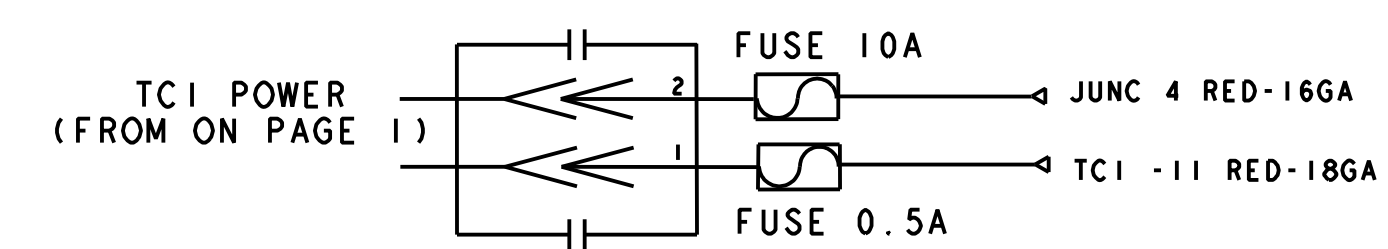
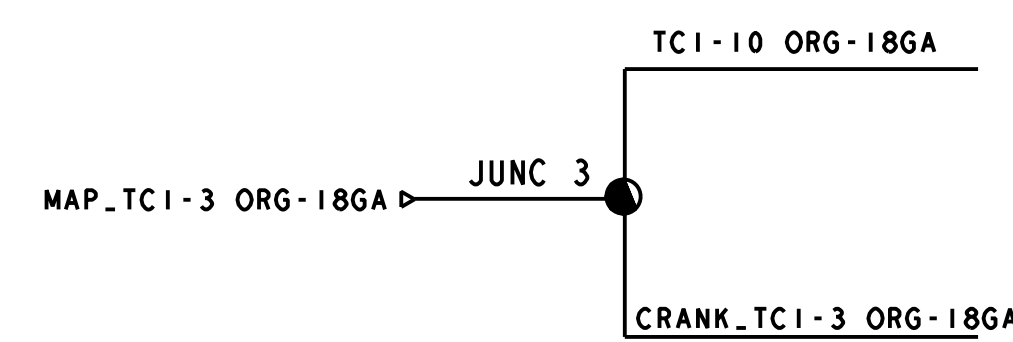
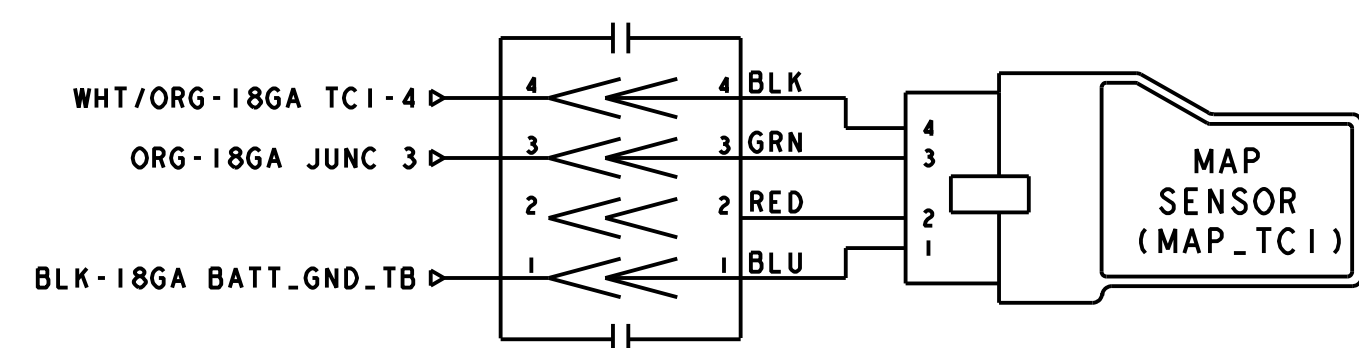
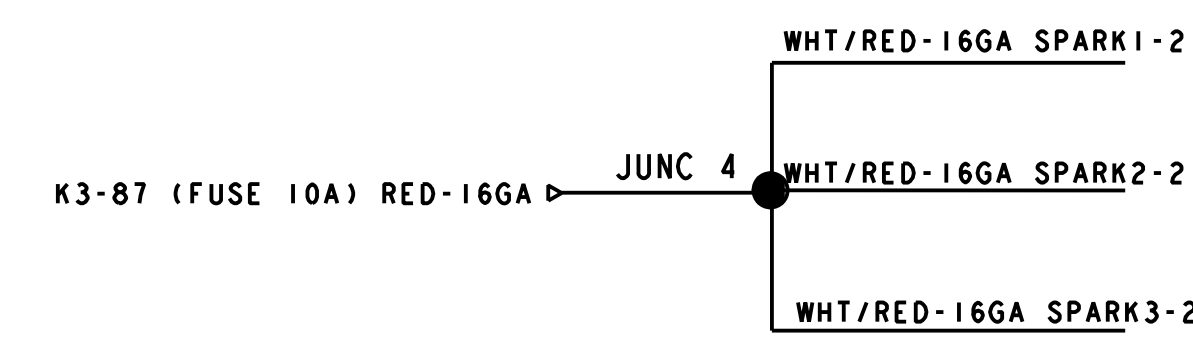
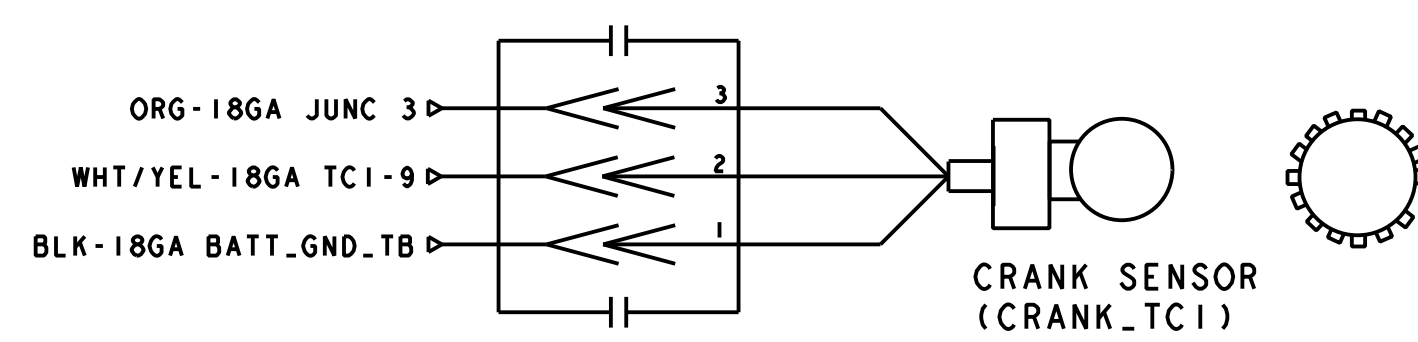
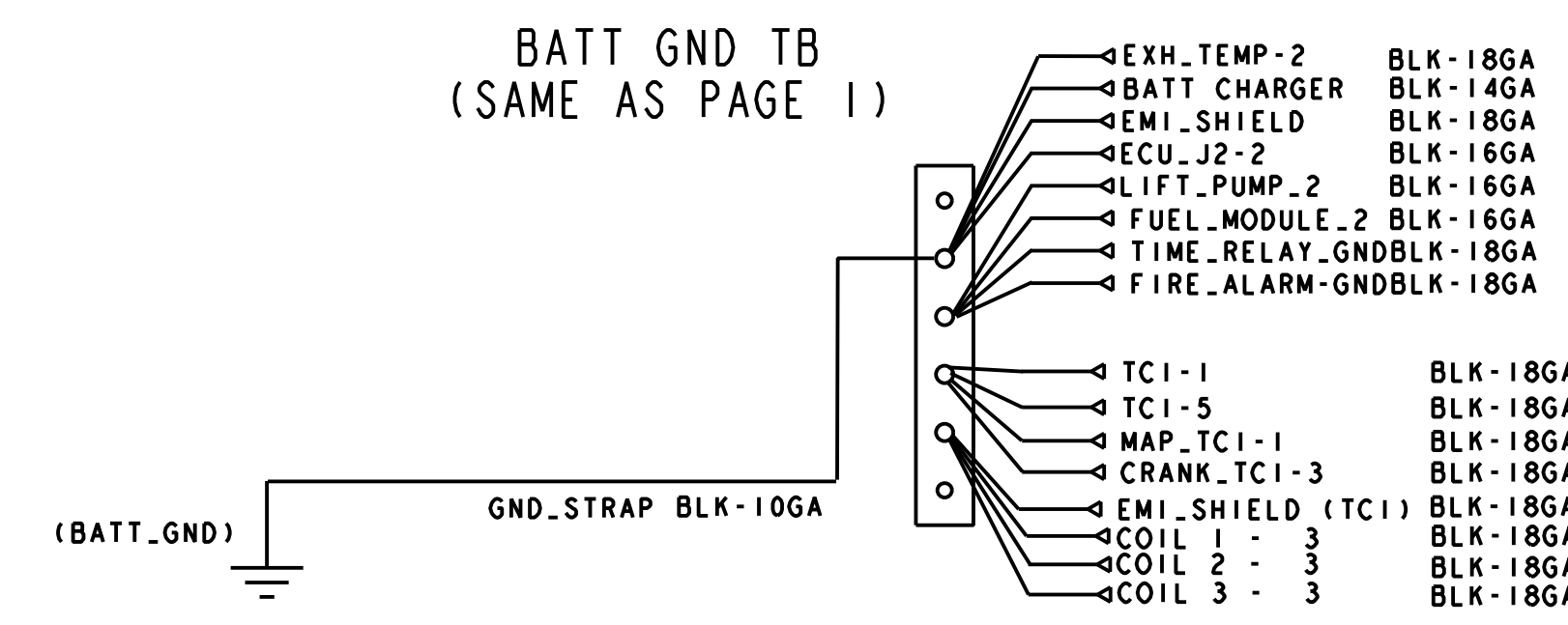
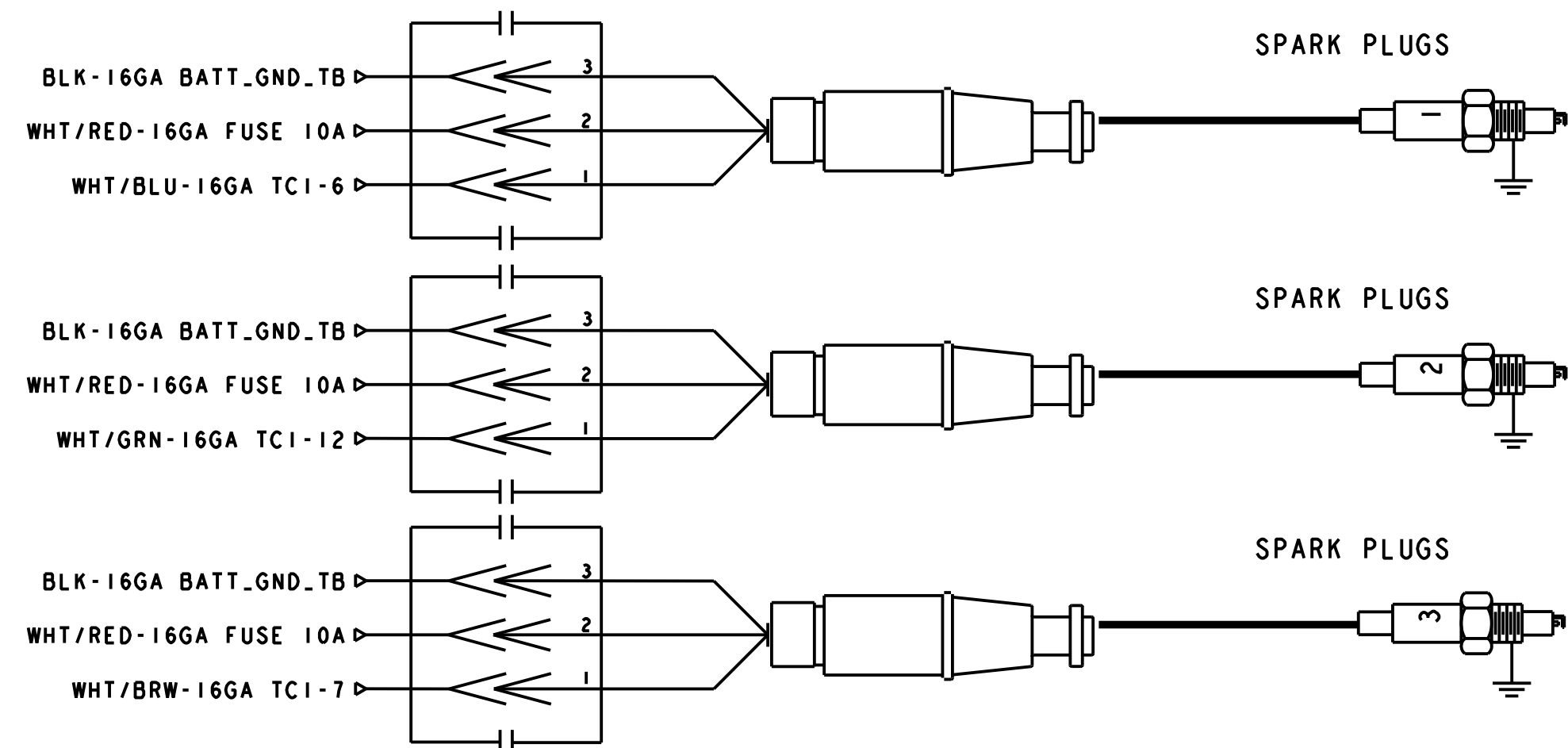


FUEL SYSTEM COMPONENTS

TOLERANCES (UNLESS OTHERWISE NOTED)		TITLE	
INCHES	MILLIMETERS	DGGENSET WIRE 5.0-7.5 MCGA	
XXX	XXX	DATE	MATERIAL
CAST	CAST	APPROVED BY	SCALE
FINISH	FINISH	DATE	DRAWING NUMBER
DIMENSIONS		SCALE	
INCHES		SCALE	
MILLIMETERS		SCALE	
(WHEN APPLICABLE)		SHEET 1 OF 3	

**WESTERBEKE**

56558



TOLERANCES (UNLESS OTHERWISE NOTED)		TITLE	
INCHES	MILLIMETERS	DGGENSET WIRE 5.0-7.5 MCGA	
XX	XX	DATE	MATERIAL
XXX	XXX	08/AUG/17	
CASE	XX	APPROVED BY	
FINISH		JAS	
DIMENSIONS		SCALE DRAWING	
INCHES	SCALE	DRAWING NUMBER	
(WHEN APPLICABLE)	SHT. 2 OF 3	56558	