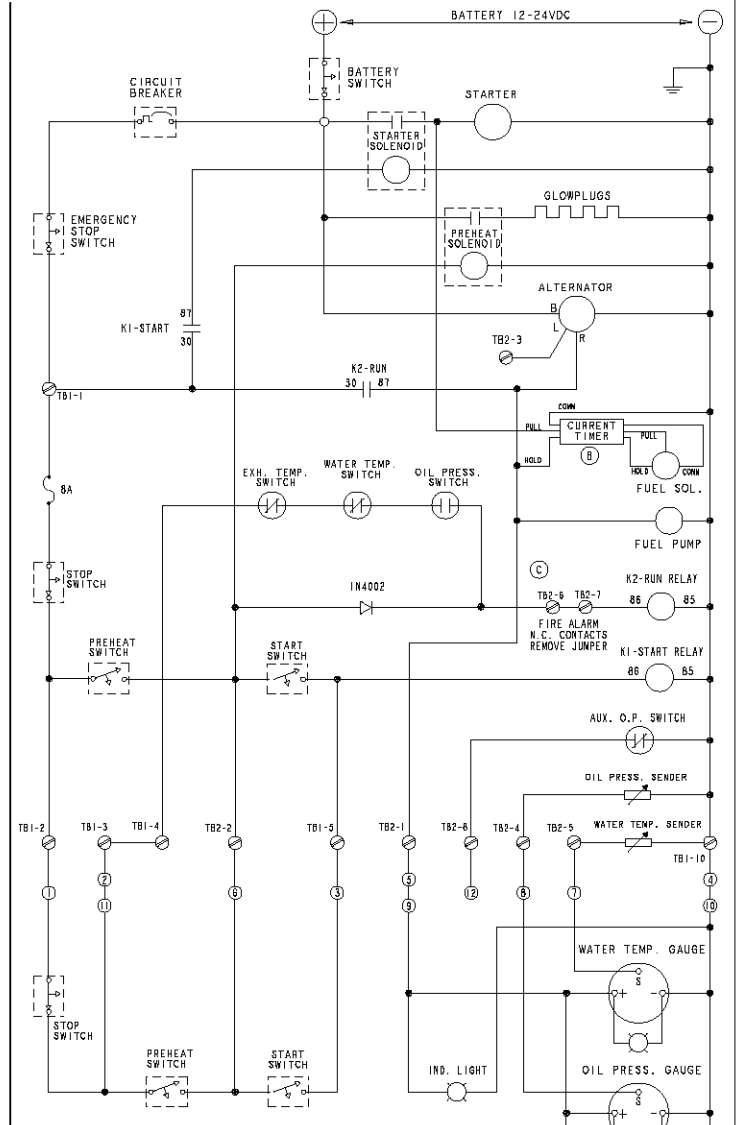


NOTE:

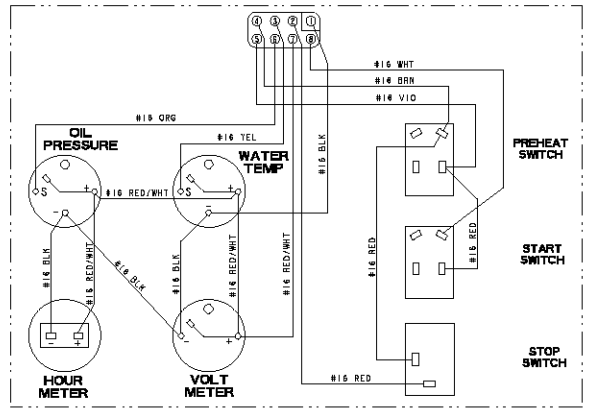
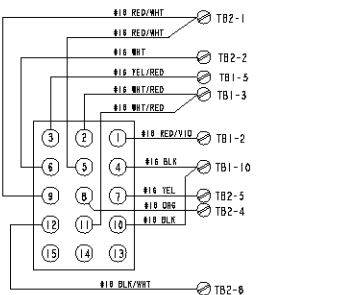
1. REMOVE JUMPER WHEN CONNECTING A SECOND REMOTE PANEL.
2. GROUND *1* TERMINAL OF PREHEAT SOLENOID ON 24V SYSTEM ONLY.



-TYPICAL REMOTE START/STOP PANEL CORRECTIONS-

NOTE:

○ REMOTE CONNECTOR PINS



TOLERANCES		WESTERBEKE CORPORATION	
UNLESS OTHERWISE NOTED		AVON, MA. 02322	
FINISHED	FRACTIONAL DECIMALS	DRAWING DIAGRAM/SCHEMATIC, 8.9 BTD6, 14.9 BTD6, 12.5 BTD8, 15.9 BTD8 - 58C	
UNFINISHED	FRACTIONAL DECIMALS	DATE: 11-2-2004	
DRILL	DECIMALS	DRAWN BY: TSM	
WELD	FRACTIONAL DECIMALS	CHECKED BY: TSM	
THREAD	FRACTIONAL DECIMALS	DATE: 11-2-2004	
APPROVED BY:		REVISED ALTERNATOR WIRING SCHEMATIC	
DATE:	REV:	REVISION RECORD	
ECO NO.	DATE	REV.	AUTH. OR BY
5861	11-2-2004	C	GA
5082	11-2-2004	B	TSM
14632	11-2-2004	A	YSK
ECO NO.	DATE	REV.	REVISION RECORD
5861	11-2-2004	C	GA
5082	11-2-2004	B	TSM
14632	11-2-2004	A	YSK
ECO NO.	DATE	REV.	AUTH. OR BY
5861	11-2-2004	C	GA
5082	11-2-2004	B	TSM
14632	11-2-2004	A	YSK