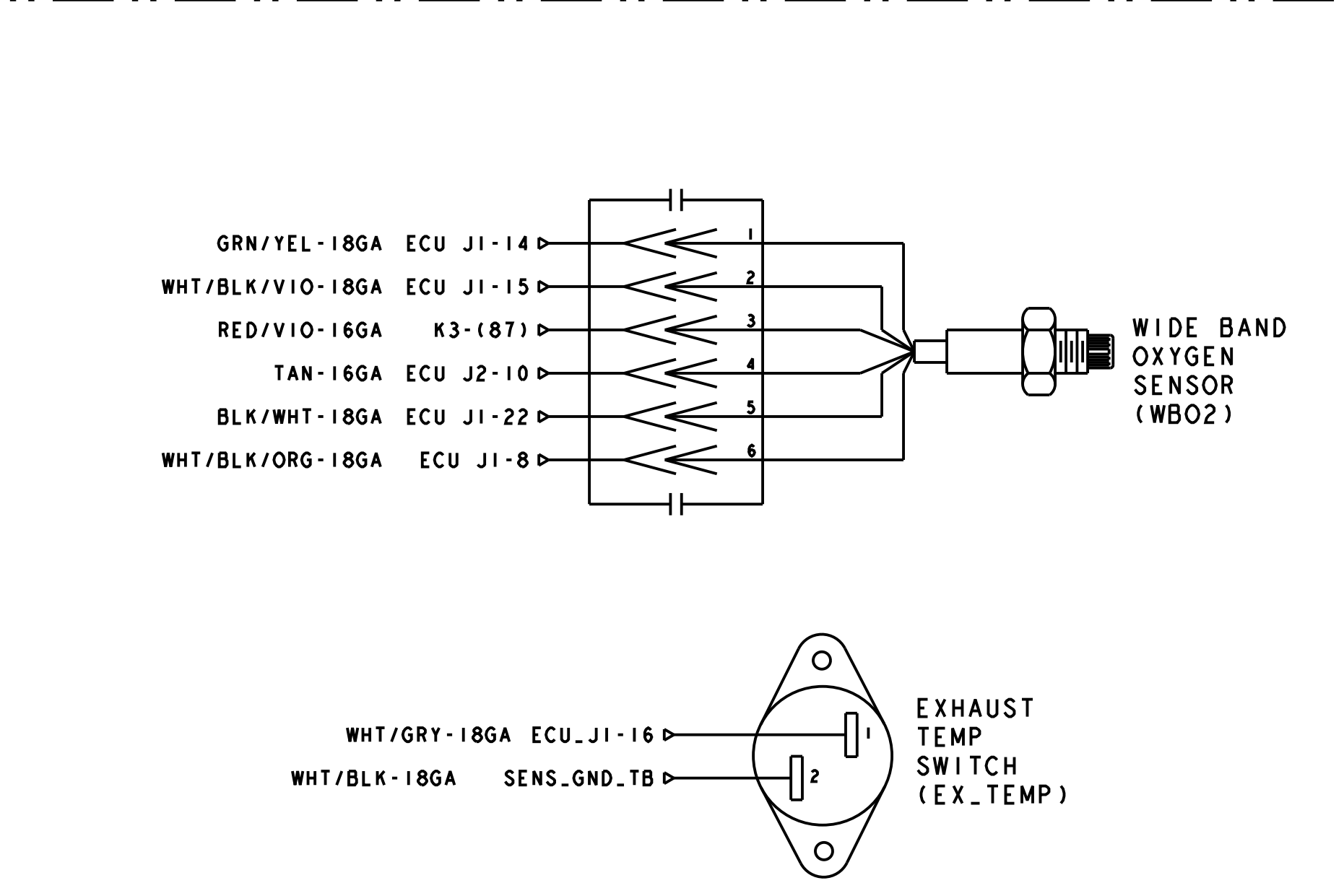
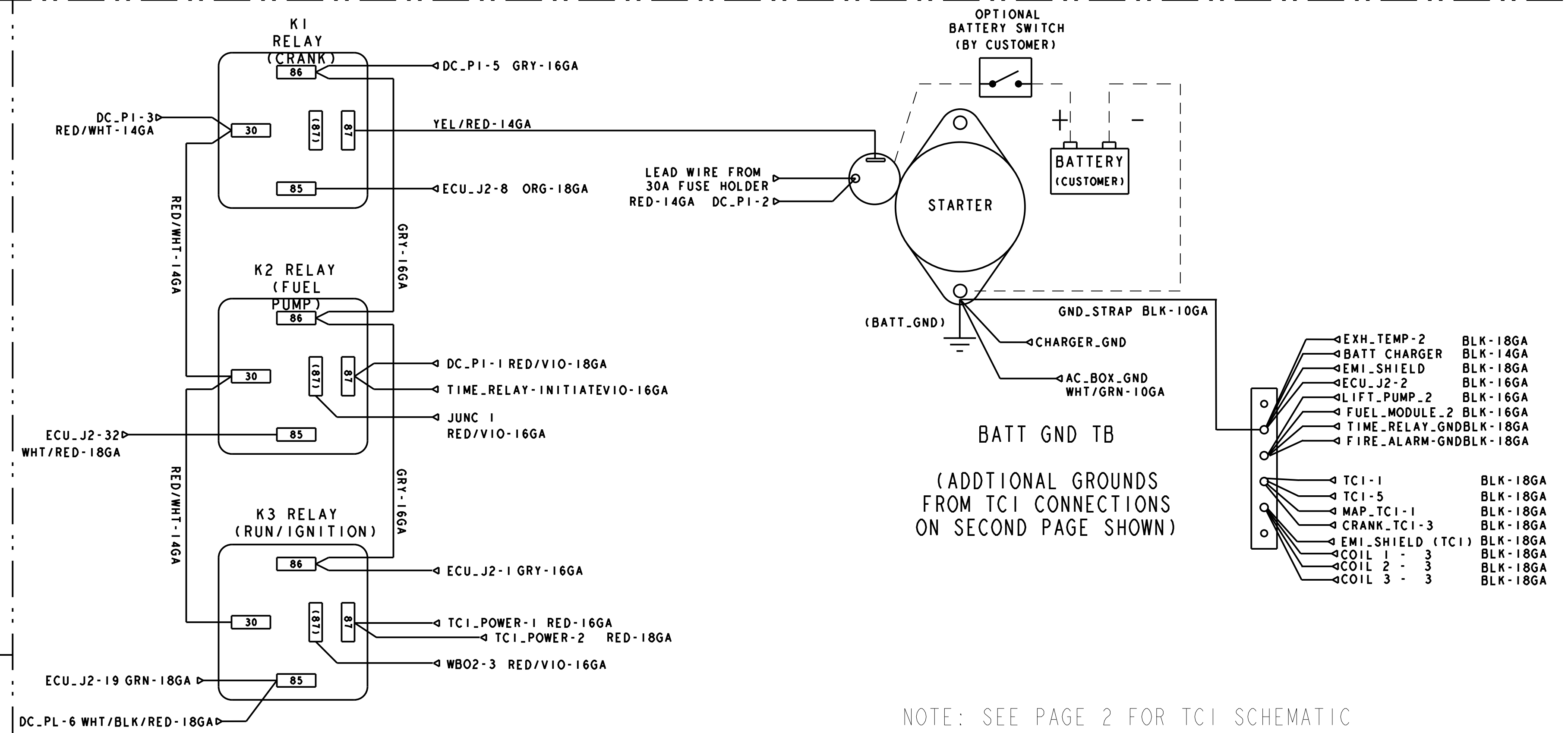


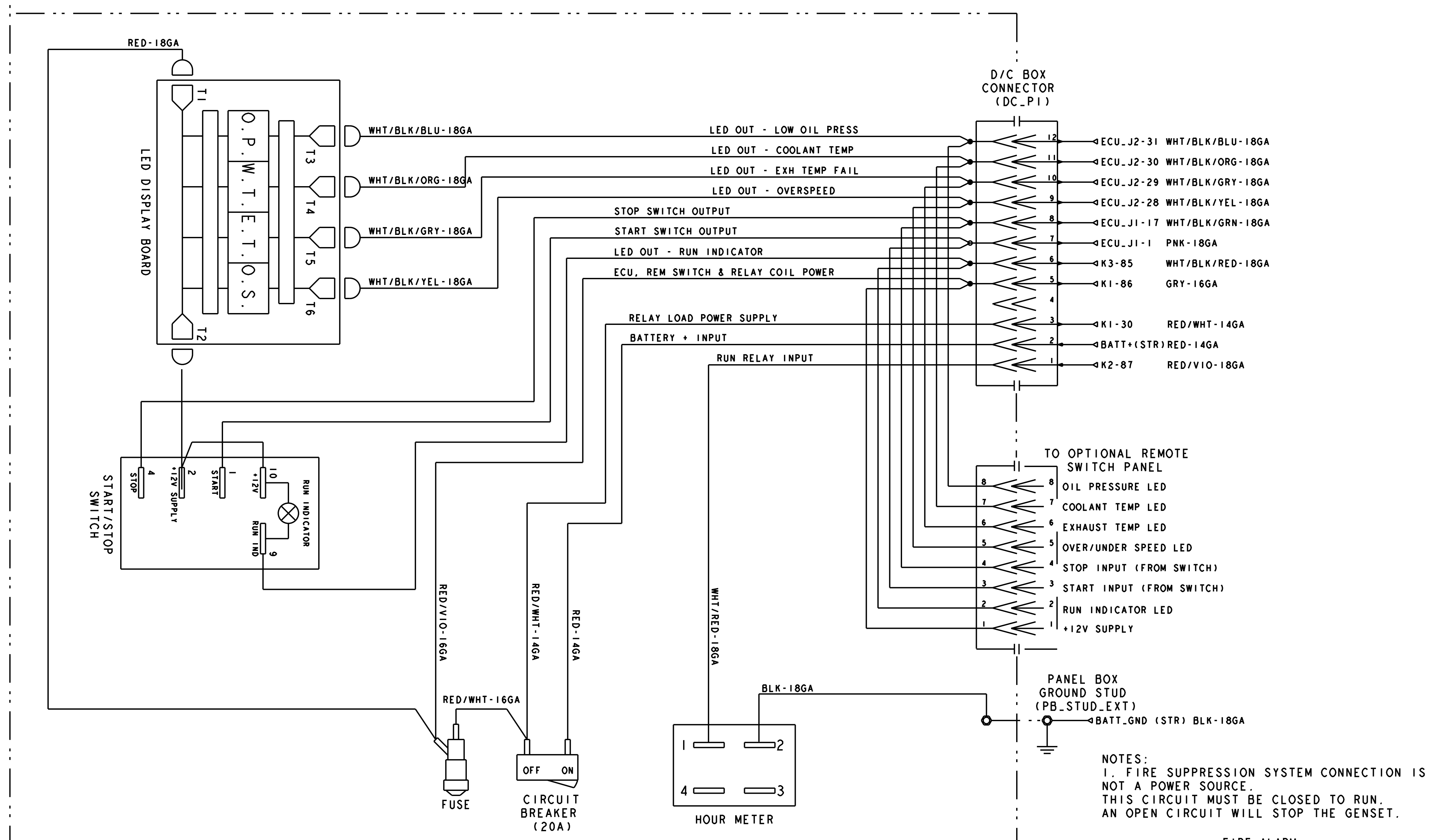
CONNECTIONS LOCATED ON ECU



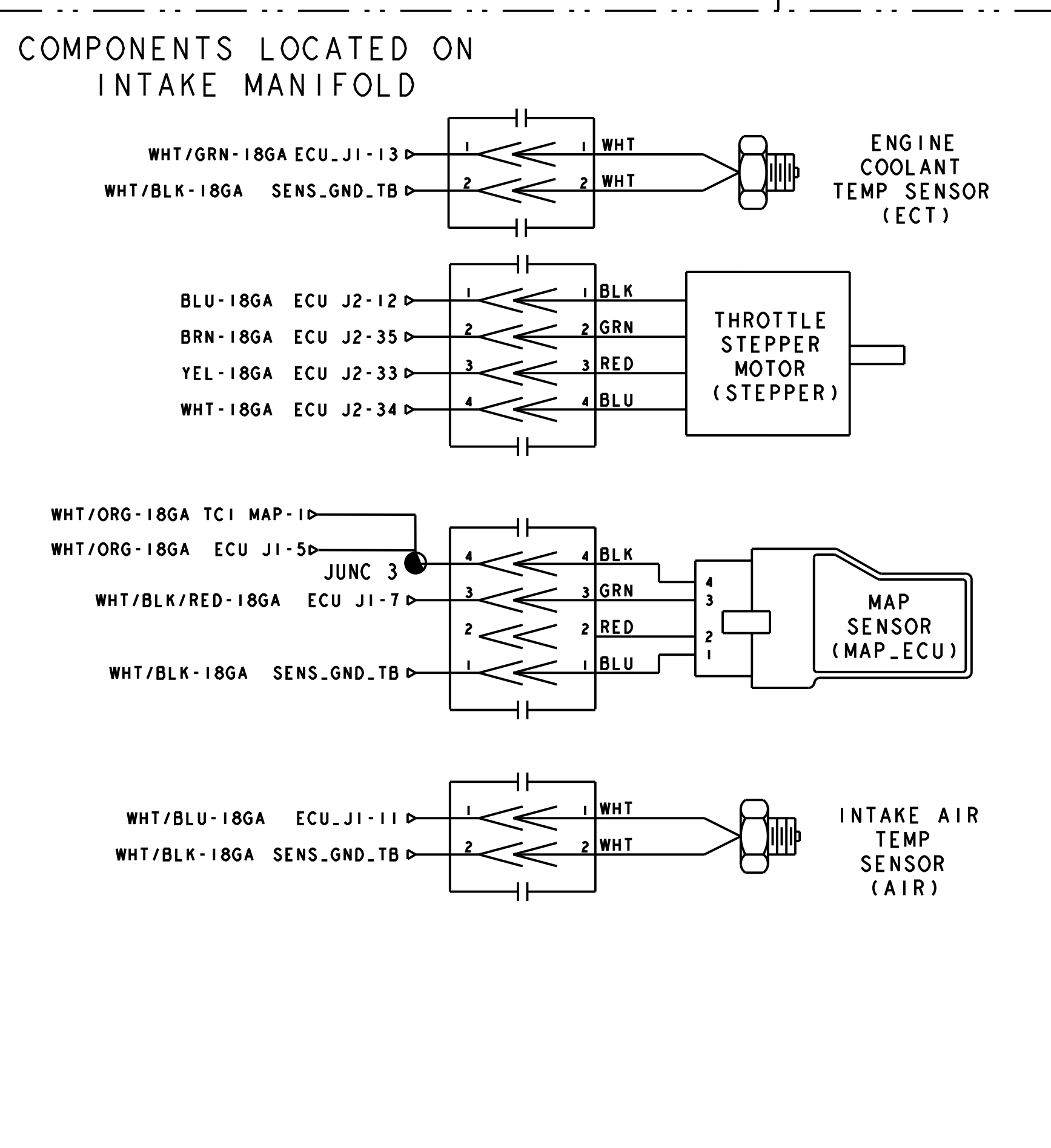
COMPONENTS LOCATED ON EXHAUST SYSTEM



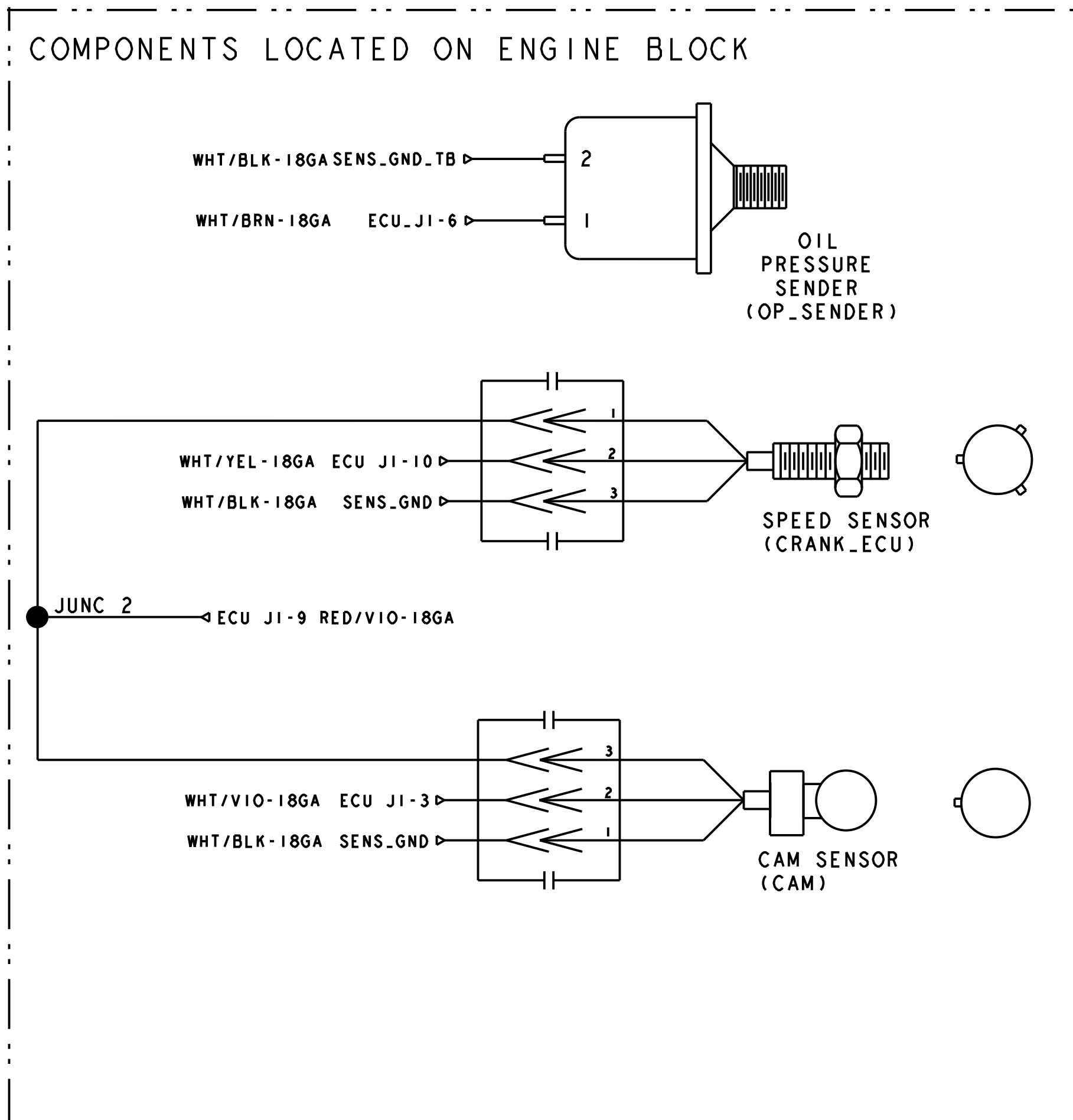
NOTE: SEE PAGE 2 FOR TCI SCHEMATIC



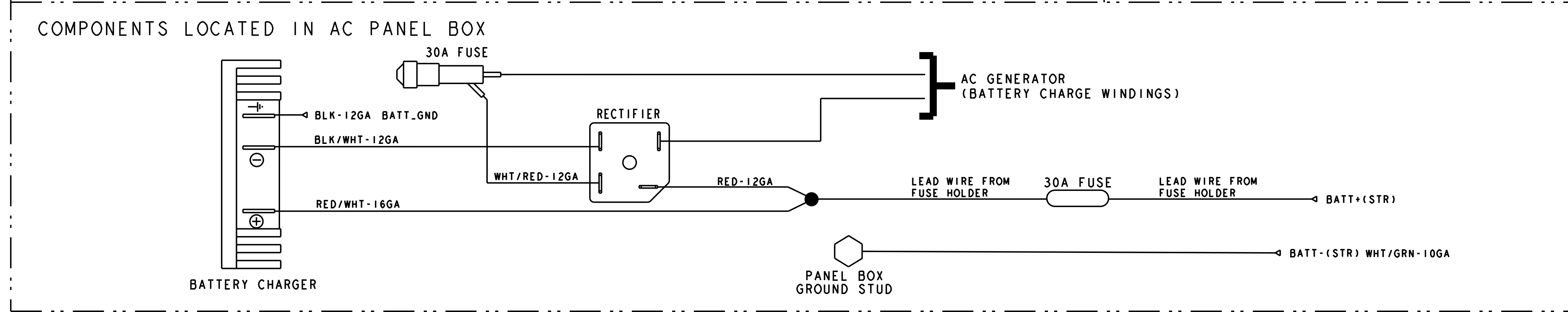
COMPONENTS LOCATED IN DC CONTROL PANEL BOX



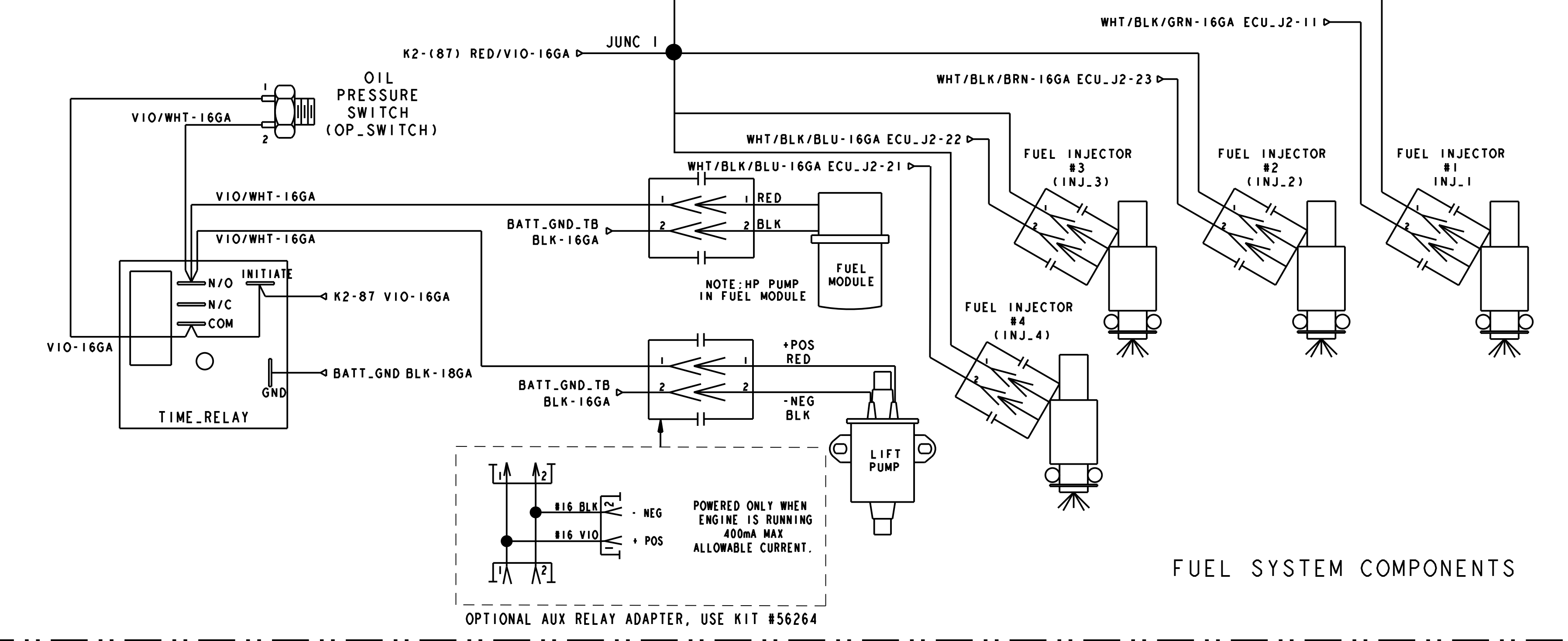
COMPONENTS LOCATED ON INTAKE MANIFOLD



COMPONENTS LOCATED ON ENGINE BLOCK

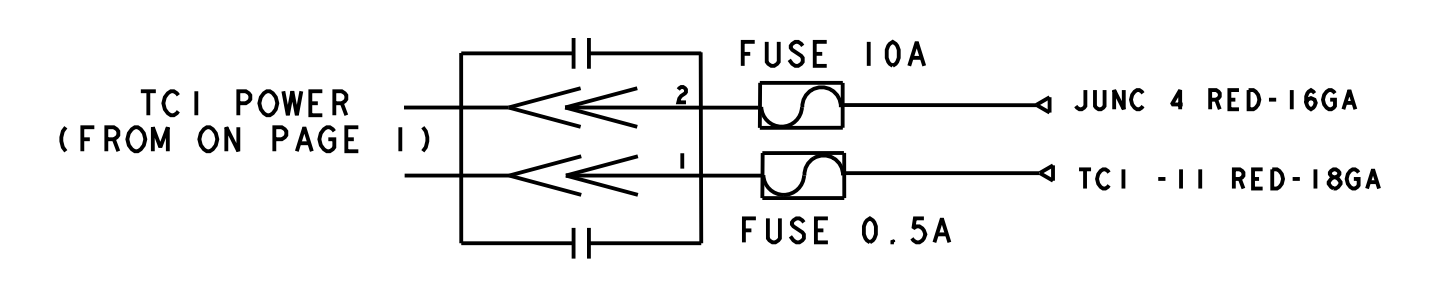
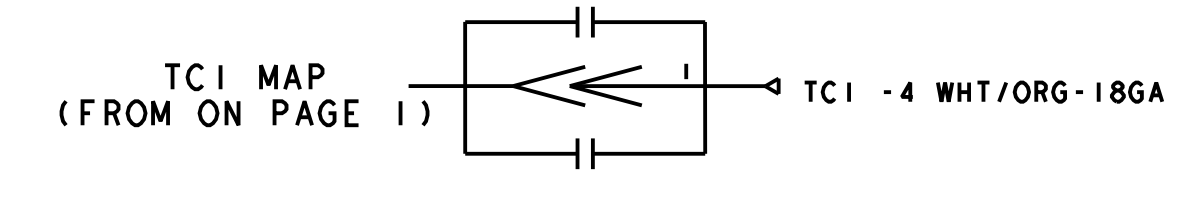
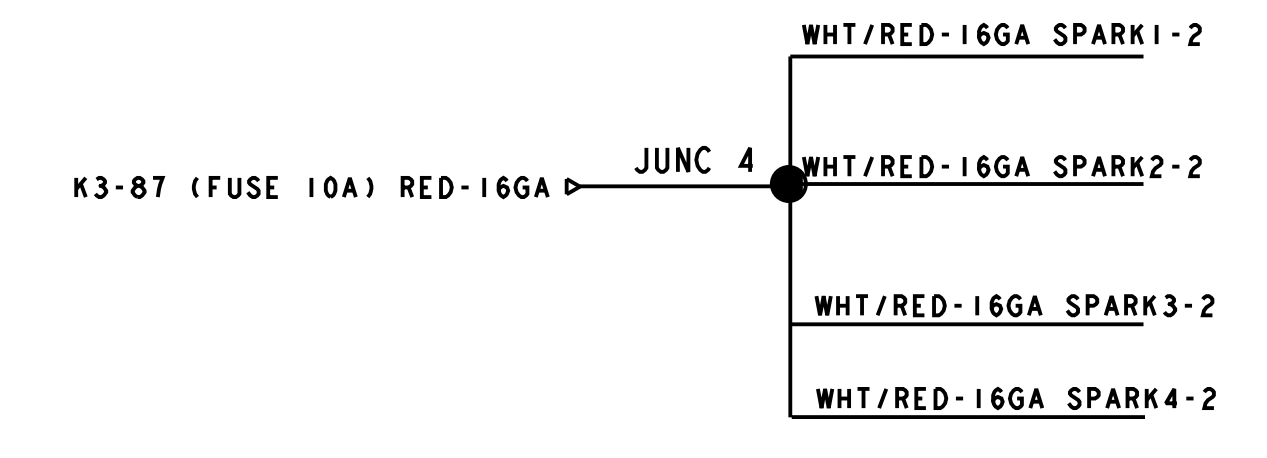
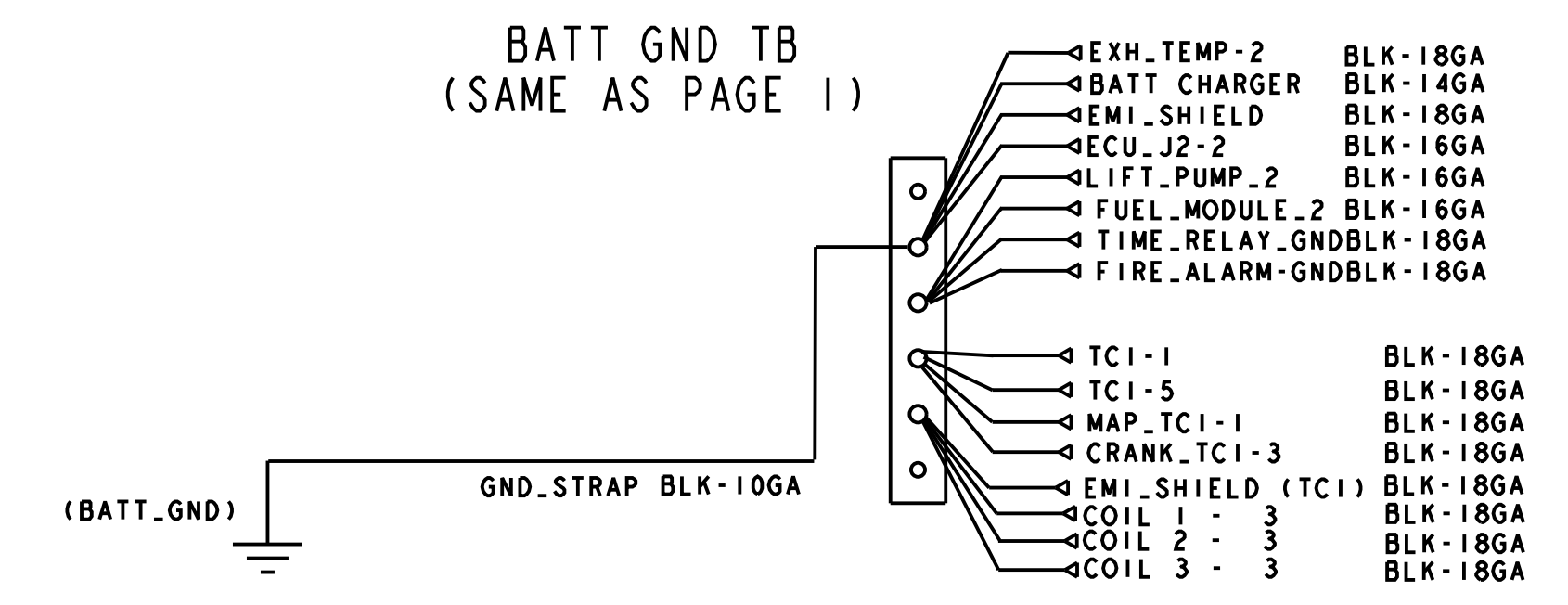
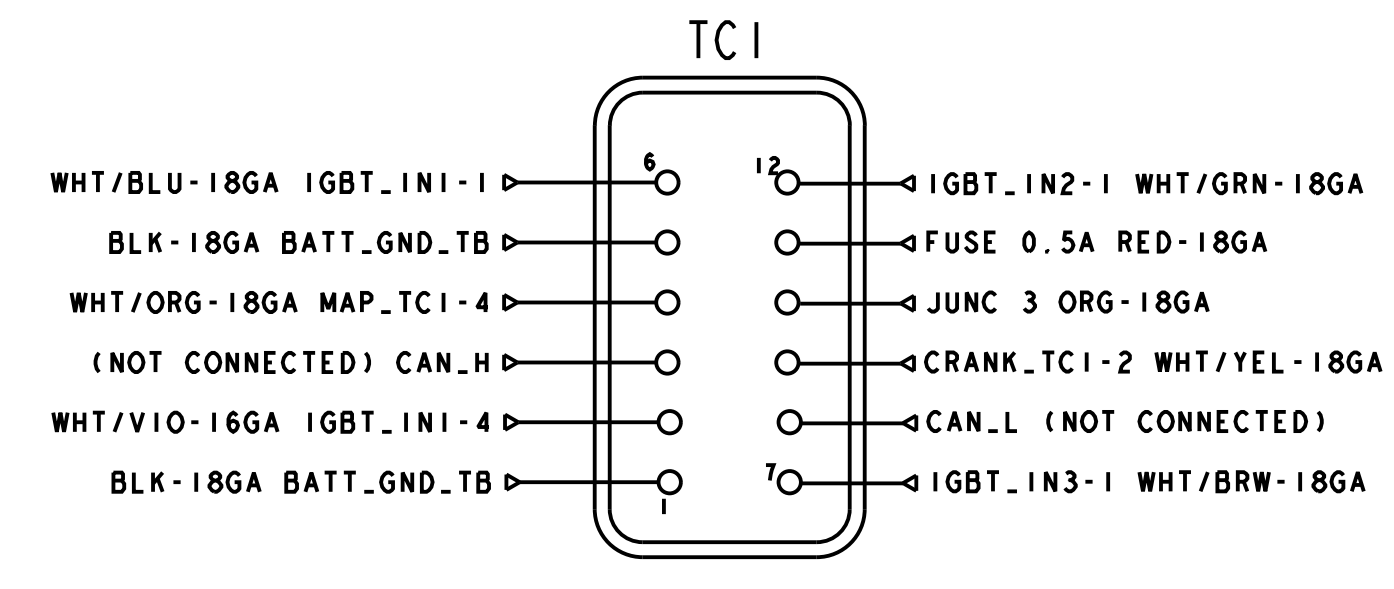
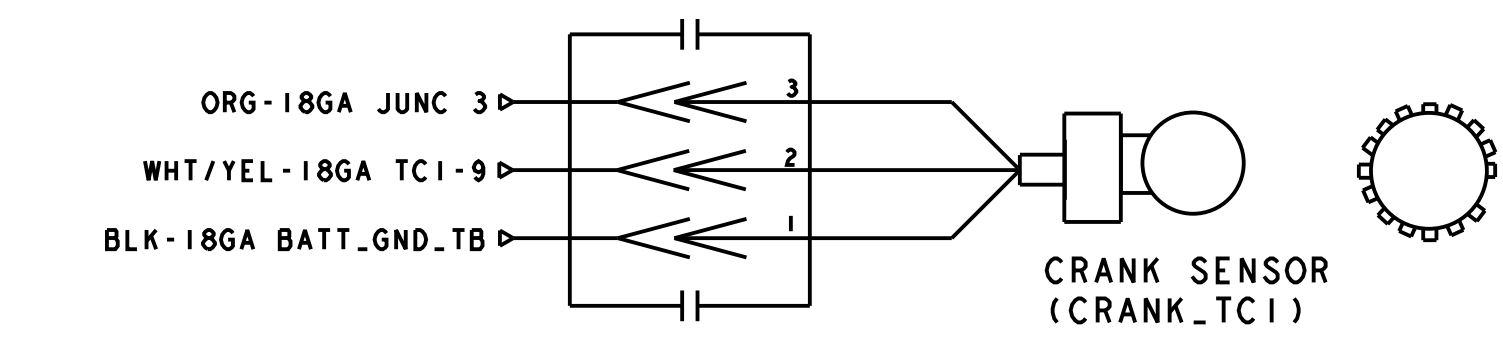
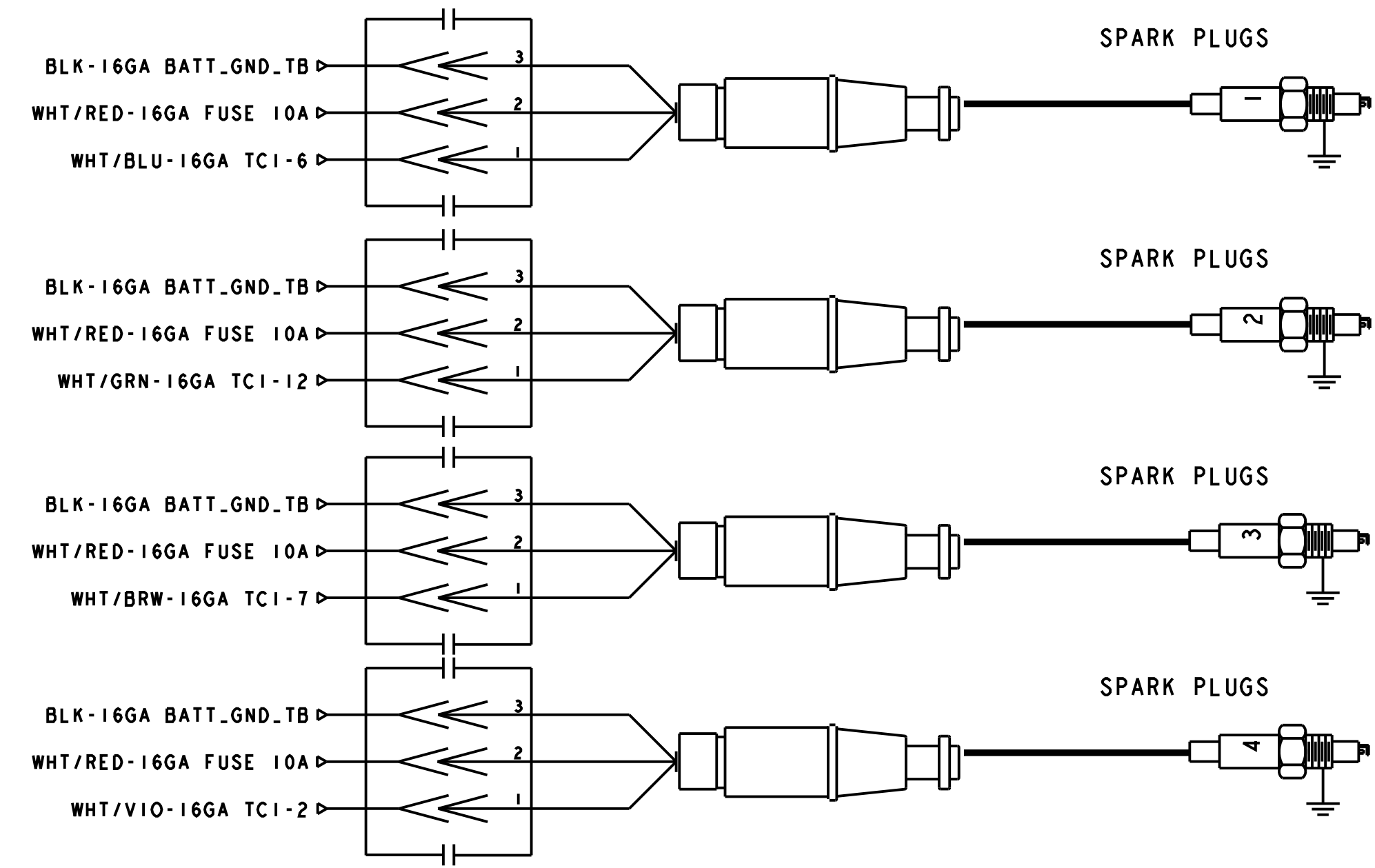


COMPONENTS LOCATED IN AC PANEL BOX



FUEL SYSTEM COMPONENTS

TOLERANCES (UNLESS OTHERWISE NOTED)		WESTERBEKE	
INCHES	MILLIMETERS	DGGENSET WIRE 9.5 MCGA	
.XX	.00	DATE	31/May/18
.XXX	.005	APPROVED BY	
CAST	.XX # .13	SCALE DRAWING SCALE	E
FINISH		SIZE	56890
DIMENSIONS (WHEN APPLICABLE)		SHT. 1 OF 3	



TOLERANCES (UNLESS OTHERWISE NOTED)		WESTERBEKE	
INCHES	MILLIMETERS	TITLE	
XXX ± .005	XX ± .13	DGGENSET WIRE 9.5 MCGA	
CAST	FINISH	DRAWN BY	DATE
		JAS	31/May/18
DIMENSIONS (WHEN APPLICABLE)		APPROVED BY	DATE
INCHES MILLIMETERS		SCALE DRAWING	DRAWING NUMBER
		E	56890
SHT. 2 OF 3		REV.	A