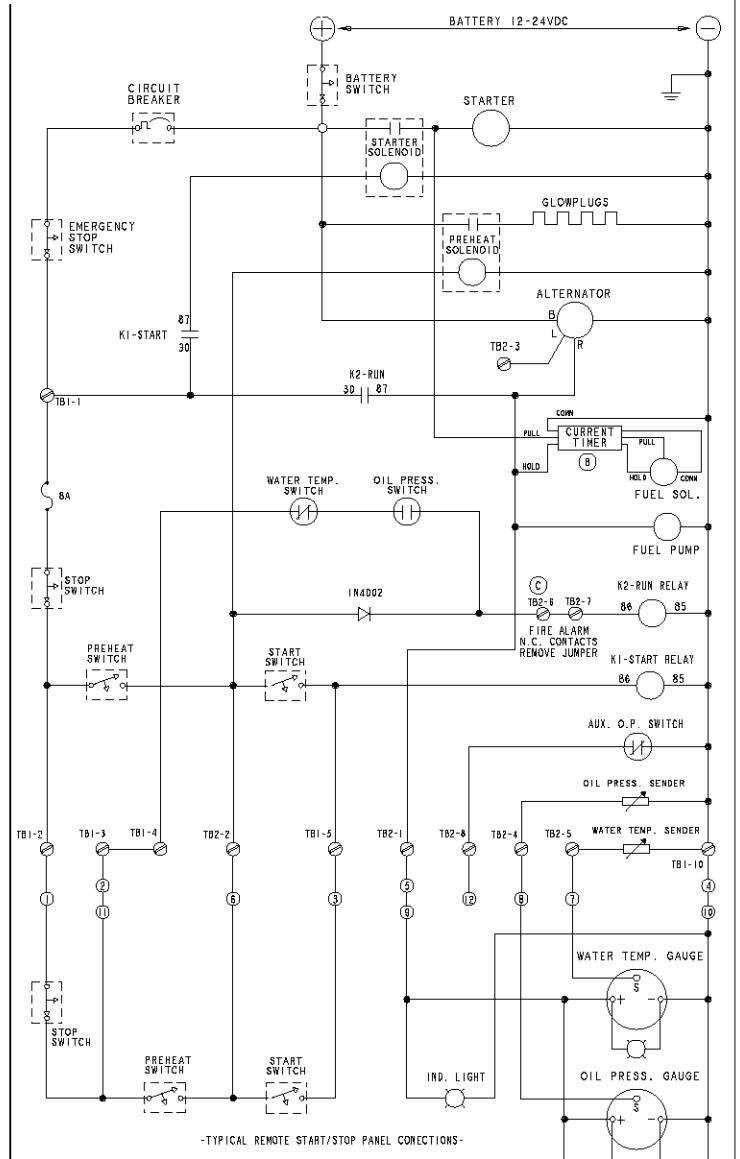
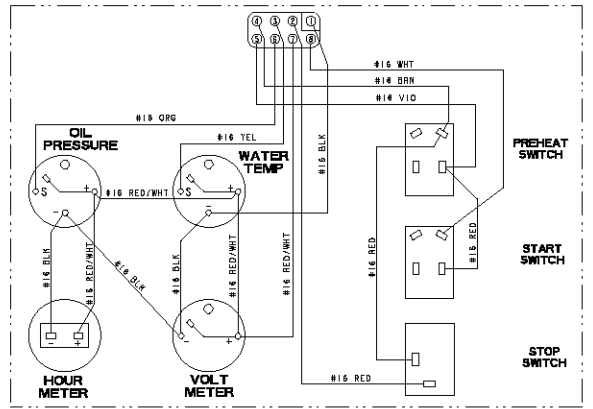
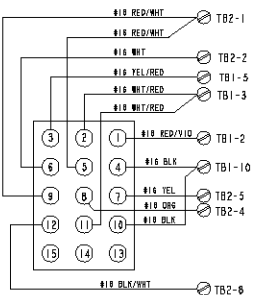


NOTE:
 1. REMOVE JUMPER WHEN CONNECTING A SECOND REMOTE PANEL.
 2. GROUND *1* TERMINAL OF PREHEAT SOLENOID ON 24V SYSTEM ONLY.



NOTE:
 ○ REMOTE CONNECTOR PINS

| TOLERANCES | | | | WESTERBEKE CORPORATION | | | |
|------------------------|------------|------------|---|--|--------------|------|-------|
| UNLESS OTHERWISE NOTED | | DIMENSIONS | | AVON, MA. 02322 | | | |
| FRACTIONS | DIMENSIONS | FRACTIONS | DIMENSIONS | DRAWING DIAGRAM/SCHEMATIC, 0.4 STD, 14.0 STD, 16.0 STD, 16.0 STD - SRC | | | |
| FRACTIONS | DIMENSIONS | FRACTIONS | DIMENSIONS | DATE | BY | CHKD | APP'D |
| 5081 | 11-10-84 | C | ADDED JUMPER BETWEEN TB2-6 & TB2-8 WAS CONNECTED TO TB2-6 | BA | DI NERS (DR) | EXP | |
| 5082 | 07-01-84 | B | ADDED CURRENT TIMER | TSM | DI NERS (DR) | EXP | |
| 4632 | 02-12-84 | A | UPDATED ALTERNATOR WIRING SCHEMATIC | YSK | DI NERS (DR) | EXP | |
| EEO NO. | DATE | REV. | REVISION RECORD | AUTH. | DR | BT | |

SCALE: NONE
APP'D: NONE
REV.: NONE
DATE: 11-1-84
FIG. NO.: 44744
REV.: C