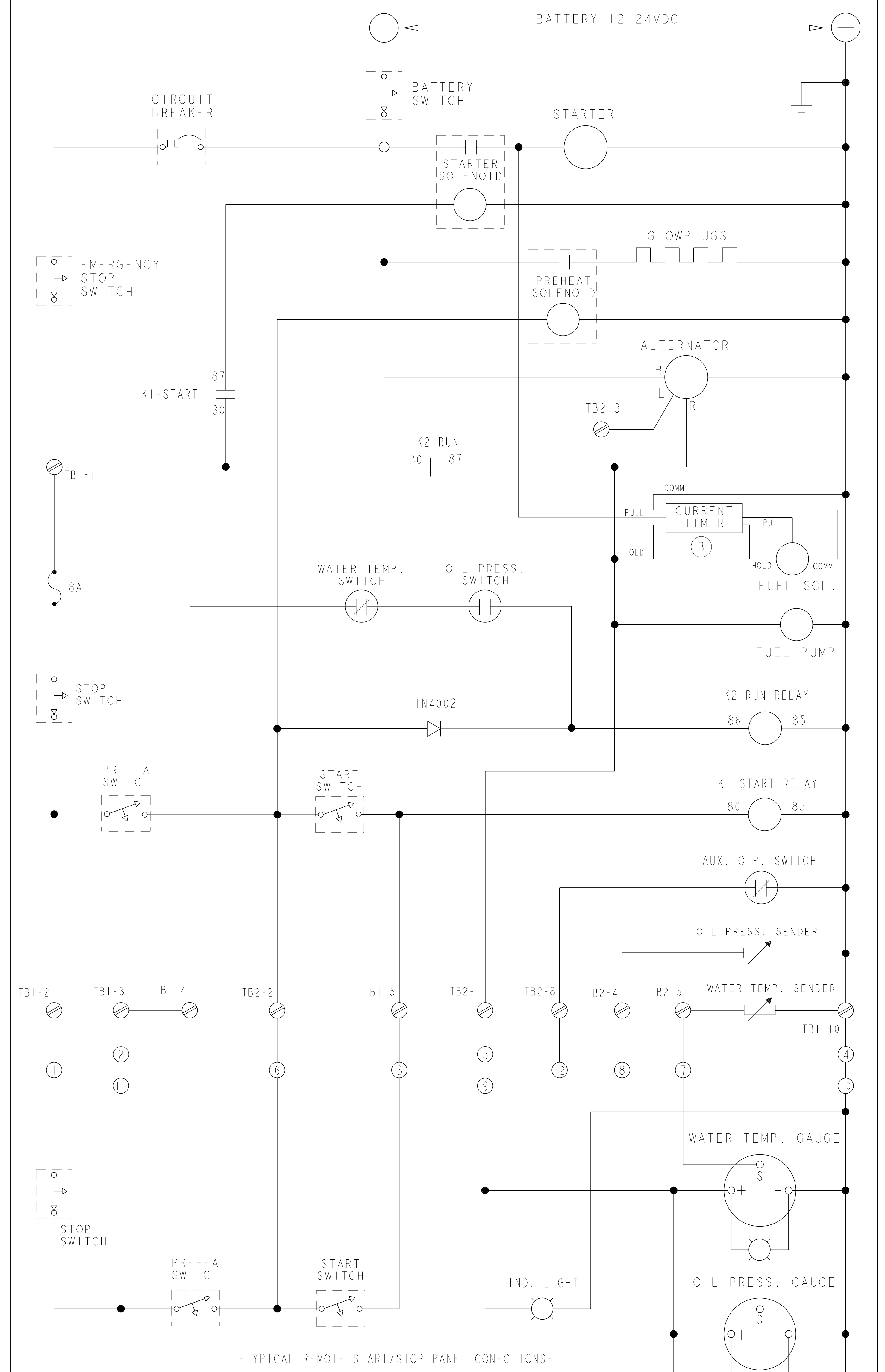
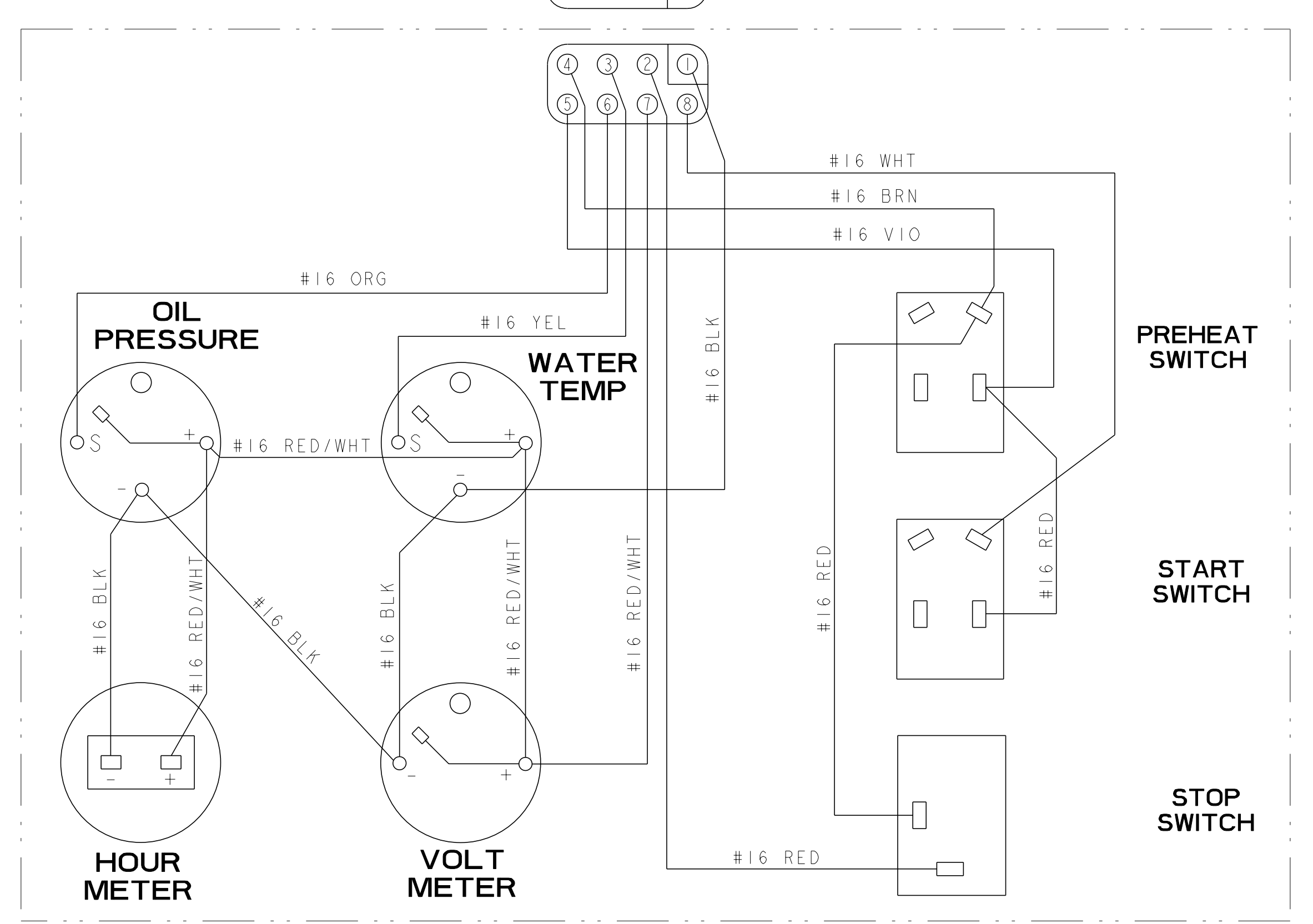
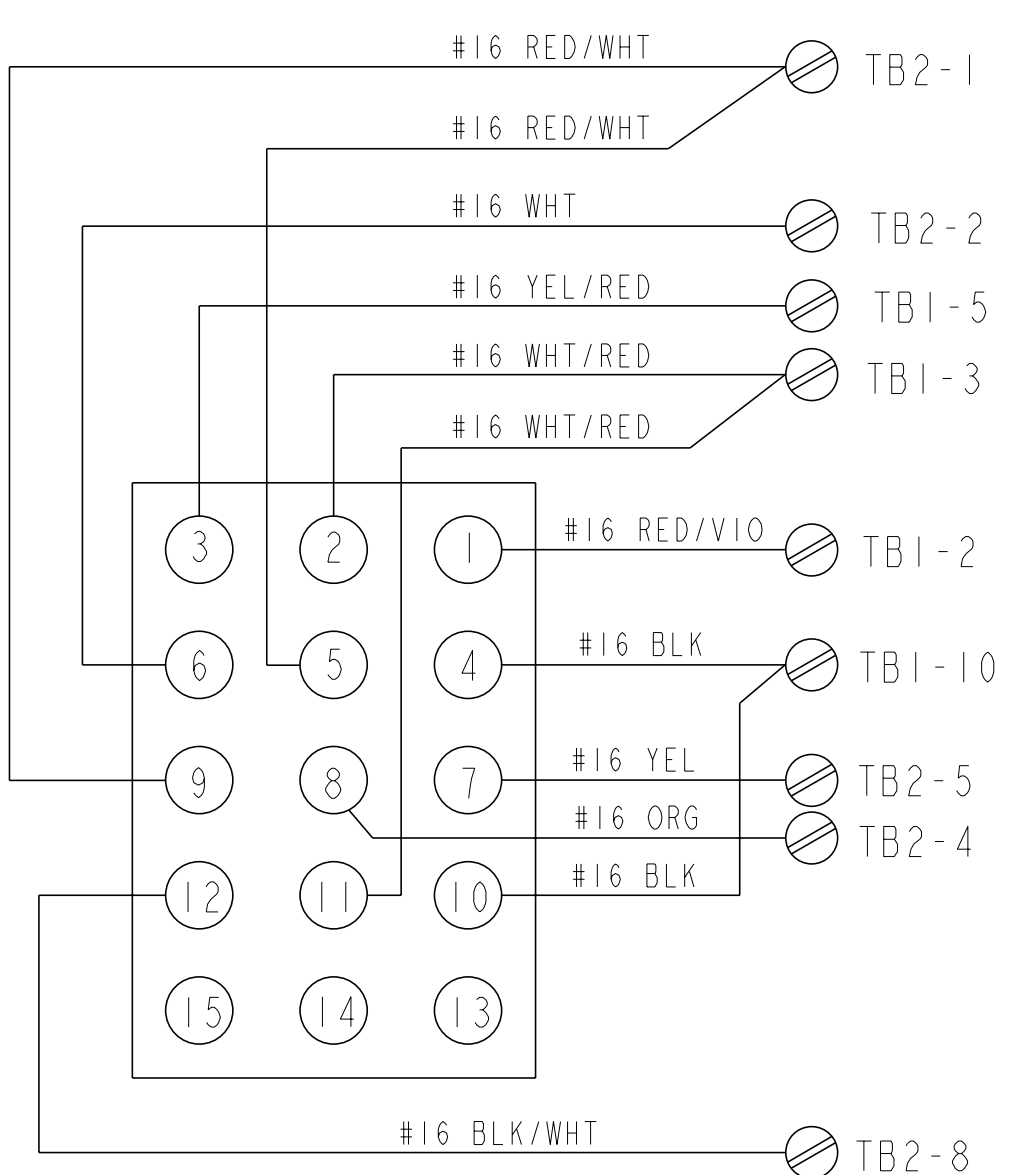


NOTE:  
 1. REMOVE JUMPER WHEN CONNECTING A SECOND REMOTE PANEL.  
 2. GROUND "1" TERMINAL OF PREHEAT SOLENOID ON 24V SYSTEM ONLY.



ECO NO.	DATE	REV.	REVISION RECORD	AUTH.	DR. BY
5082	10/24/81	B	ADDED CURRENT TIMER		TSM
4632	10/22/80	A	UPDATED ALTERNATOR WIRING SCHEMATIC		TSM

ECO NO.	DATE	REV.	REVISION RECORD	AUTH.	DR. BY
5082	10/24/81	B	ADDED CURRENT TIMER		TSM
4632	10/22/80	A	UPDATED ALTERNATOR WIRING SCHEMATIC		TSM

TOLERANCES (UNLESS OTHERWISE NOTED)		WESTERBEKE CORPORATION AVON MA. 02322	
INCHES	MILLIMETERS	TITLE	
XX : .02	X : .05	WIRING DIAGRAM/SCHEMATIC,	
XX : .005	XX : .1	8.0 BTDR, 10.0 BTDR, 12.5 BTDR, 15.0 BTDR - SRC	
CAST : .03	FINISH : .25	DATE	MATERIAL:
		1/4 May / 00	
DIMENSIONS		APPROVED BY	DATE
INCHES			
MILLIMETERS		SCALE NONE	SIZE DRAWING NUMBER
(WHEN APPLICABLE)		SHT. 1 of 1	<b>E 44744</b>