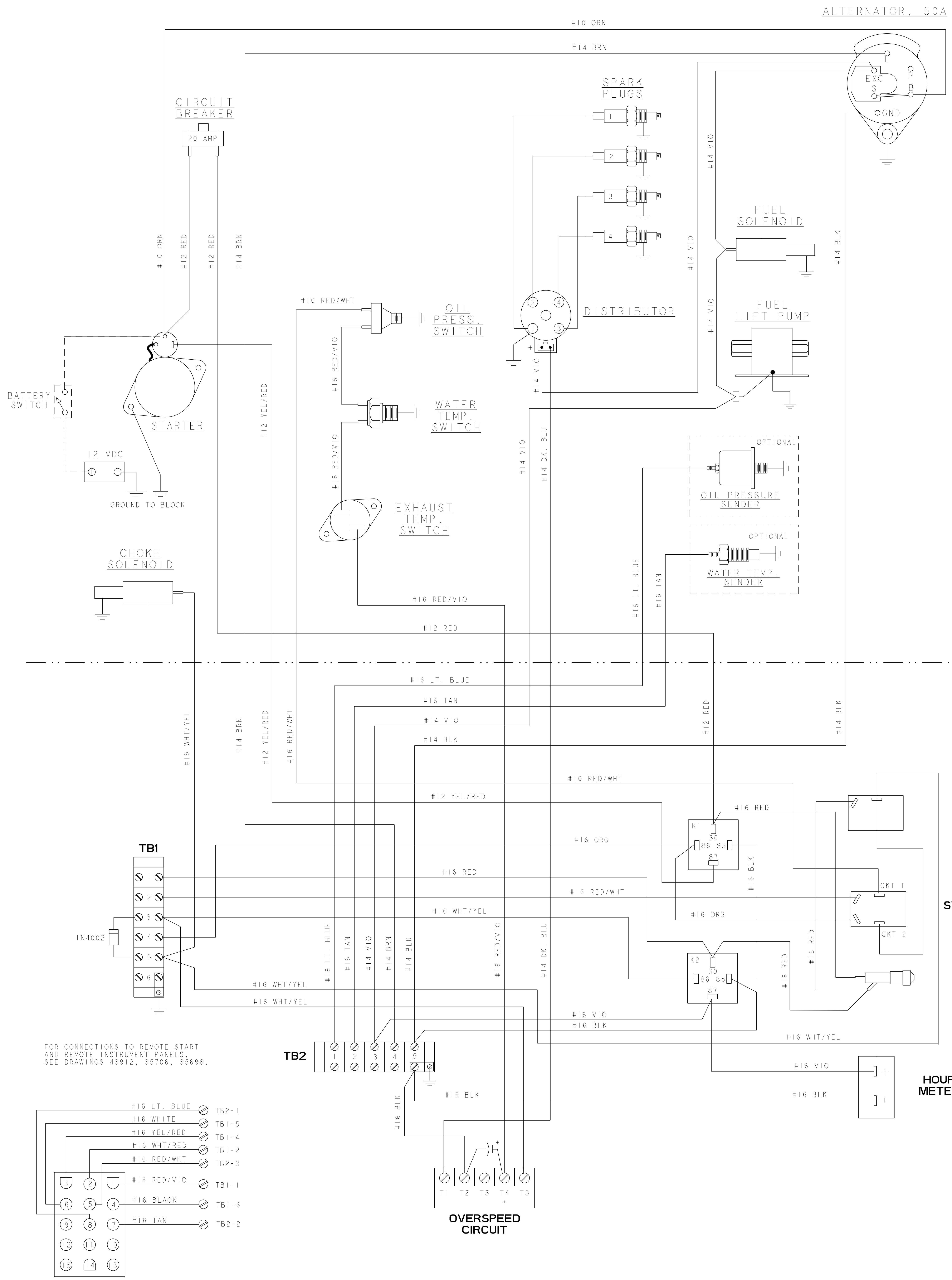
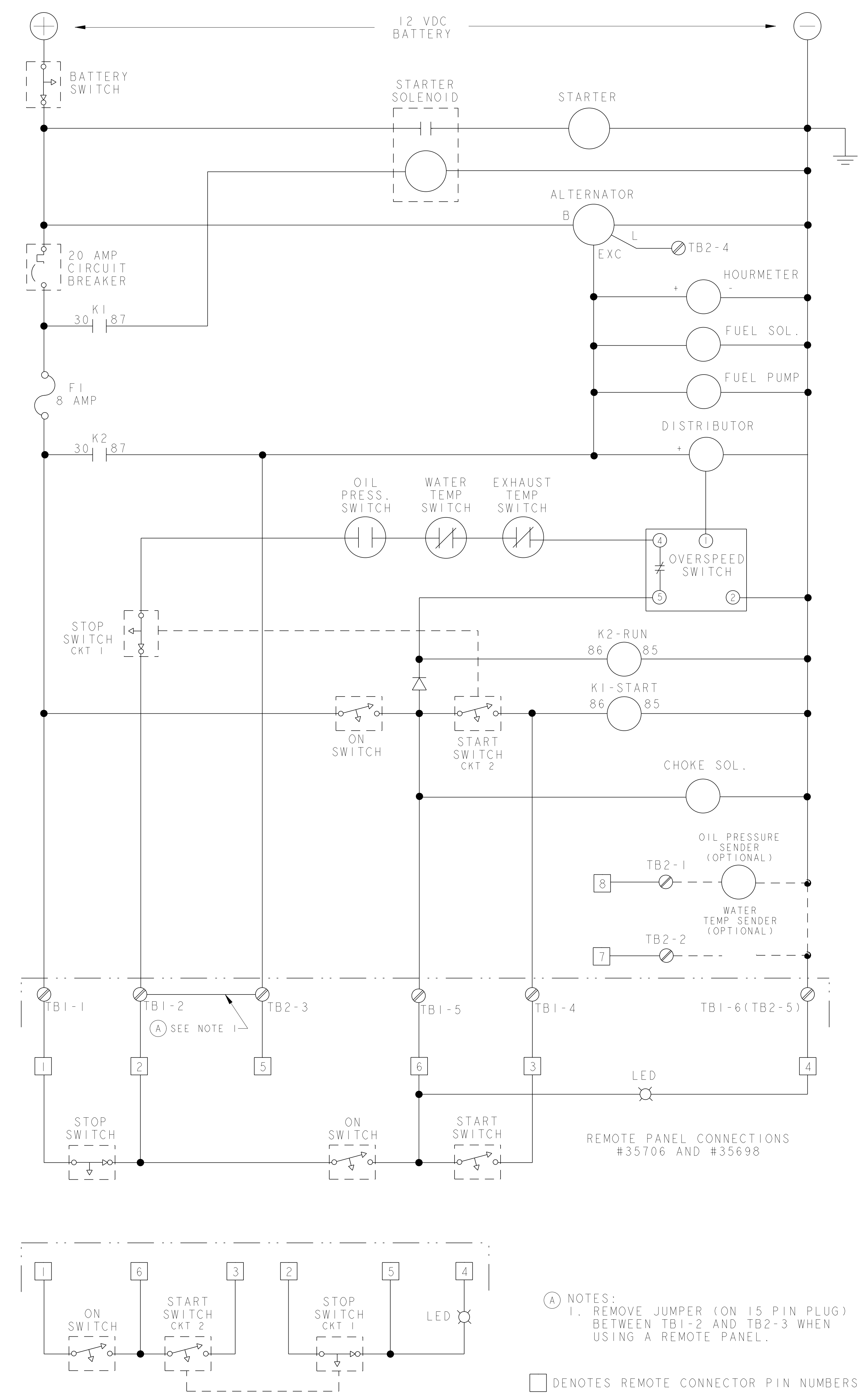


ECO NO.	DATE	REV.	REVISION RECORD	AUTH.	DR. BY
5080	10/23/2001	A	MOVE JUMPER FROM TB1-1, TB1-2 TO TB1-2, TB2-3.		JCA
5972	4-25/2005	B	SWAP POSITION OF FUSE AND ON SWITCH TO MATCH ASSEMBLY.		GA



FOR CONNECTIONS TO REMOTE START AND REMOTE INSTRUMENT PANELS, SEE DRAWINGS 43912, 35706, 35698.



(A) NOTES:
1. REMOVE JUMPER (ON 15 PIN PLUG) BETWEEN TB1-2 AND TB2-3 WHEN USING A REMOTE PANEL.

□ DENOTES REMOTE CONNECTOR PIN NUMBERS

REMOTE PANEL CONNECTIONS #43912

TOLERANCES (UNLESS OTHERWISE NOTED):		WESTERBEKE CORPORATION TAUNTON MA. 02780	
INCHES	MILLIMETERS	TITLE	
.XX	.XX	WIRING DIAGRAM	
.XXX	.XX	GASOLINE GENSETS, 8-15 BEG	
EAST	.XX	DRAWN BY	DATE
ANGLES		APPROVED BY	DATE
FINISH			
DIMENSIONS		SCALE NONE	
INCHES		SIZE	
MILLIMETERS		DRAWING NUMBER	
(WHEN APPLICABLE)		REV.	
		E 46094 B	