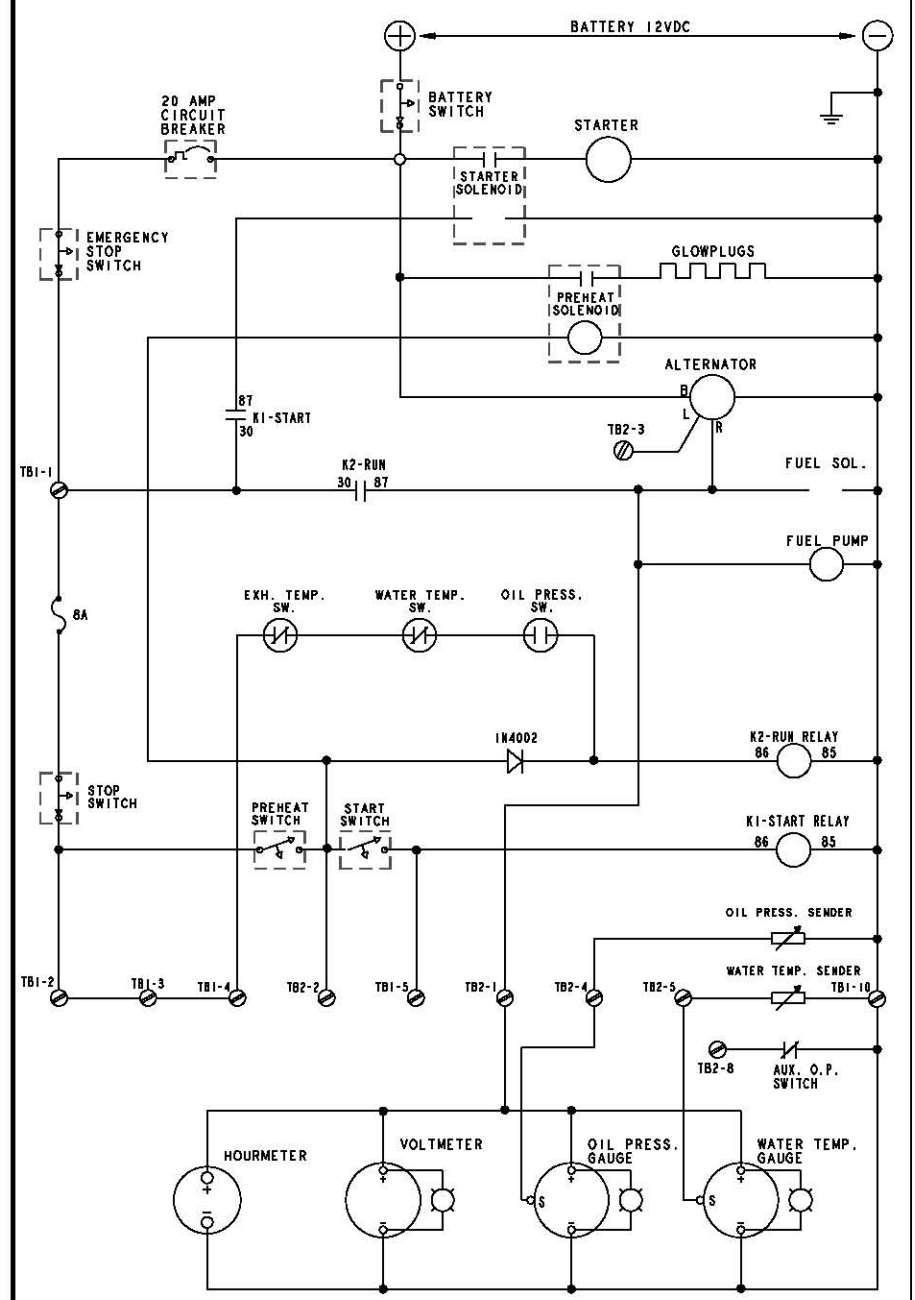
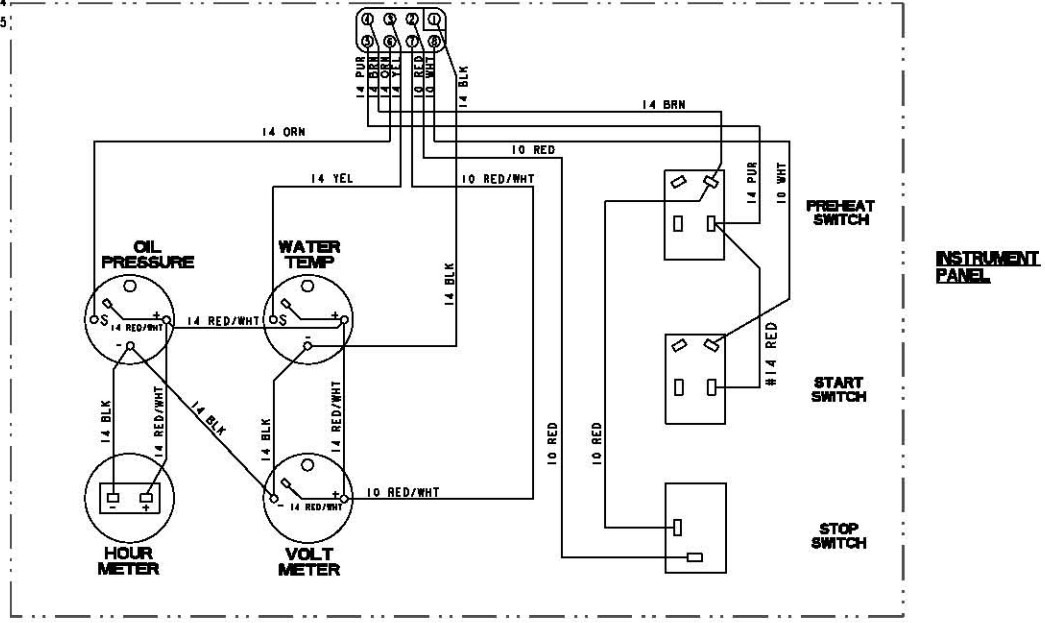
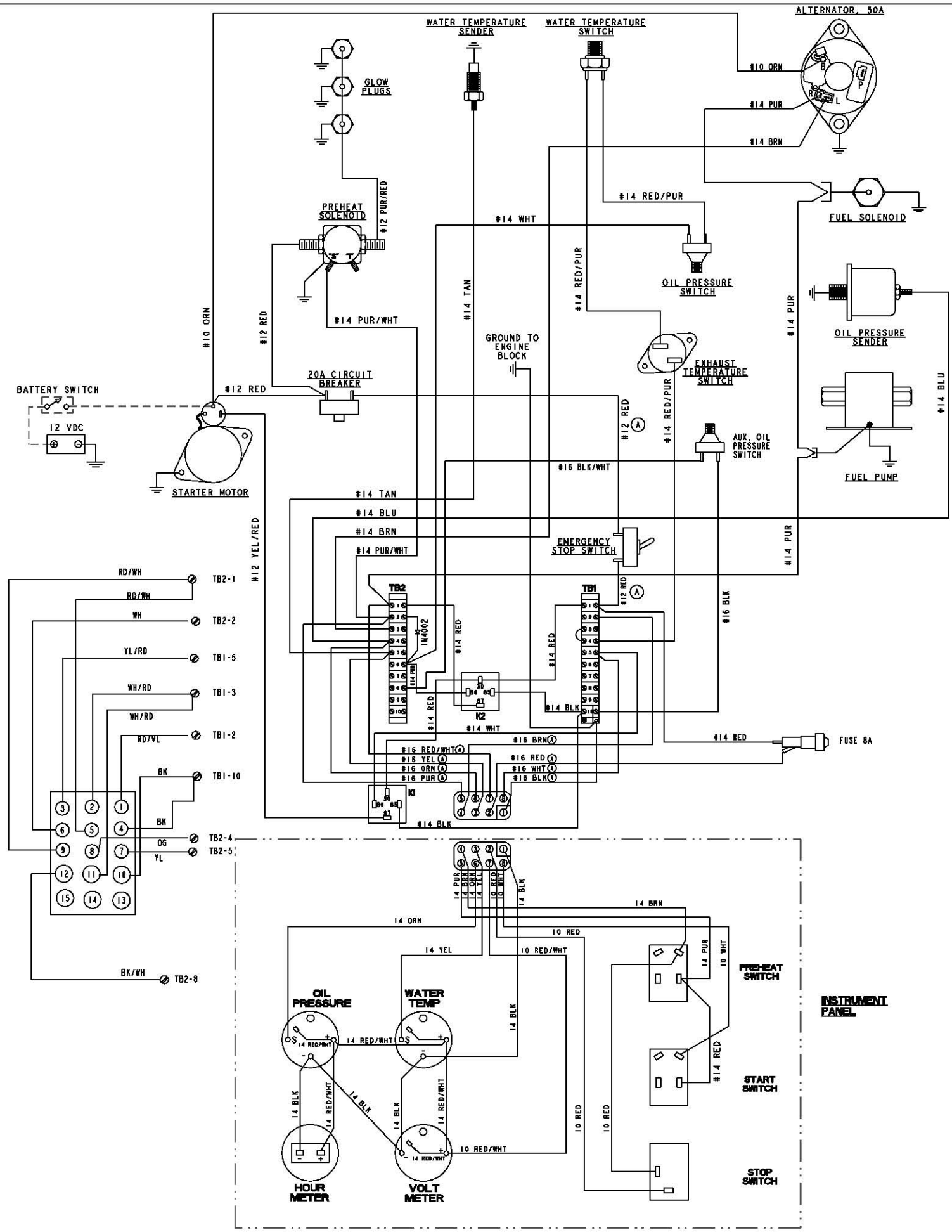


ECO NO.	DATE	REV.	REVISED RECORD	AUTH.	BY
4316	11/22/84	A	#12 RED W/ BK W/ 14 RED; REMOVED JUMPS AT TB1-2 TO TB1-3; REWIND 9-FIT CORRECTION WAS USED	JRS	



TOLERANCES		WESTERBEKE CORPORATION	
WATER PUMP HOUSING		AVON MA. 02322	
INCHES	MILLIMETERS	WIRING DIAGRAM AND SCHEMATIC 8.0, 10.0, 11.0 BTD AND 12.5 BTD SRC	
±.0005	±.0254	DESIGNED BY	DATE
±.0010	±.0508	DRAWN BY	DATE
±.0020	±.0762	CHECKED BY	DATE
±.0050	±.1270	APPROVED BY	DATE
±.0100	±.2540	SCALE	REV. 43944
±.0200	±.5080	NO. 1 OF 1	A