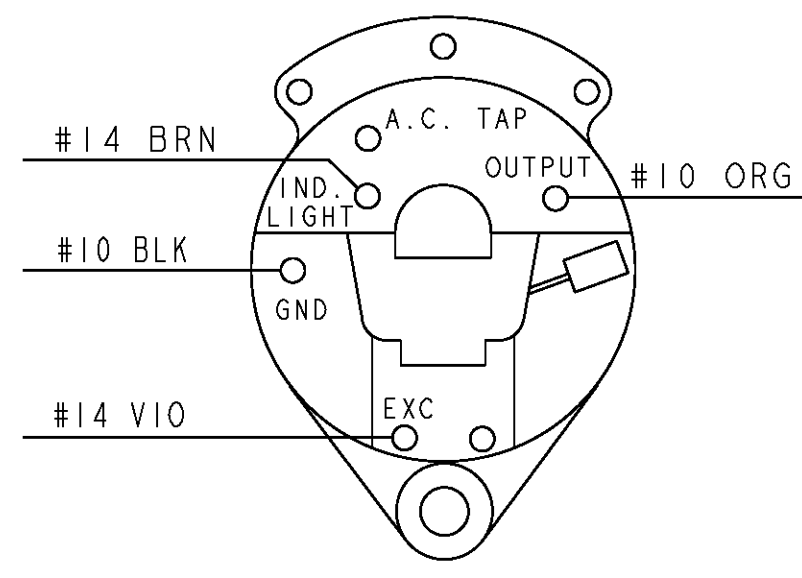
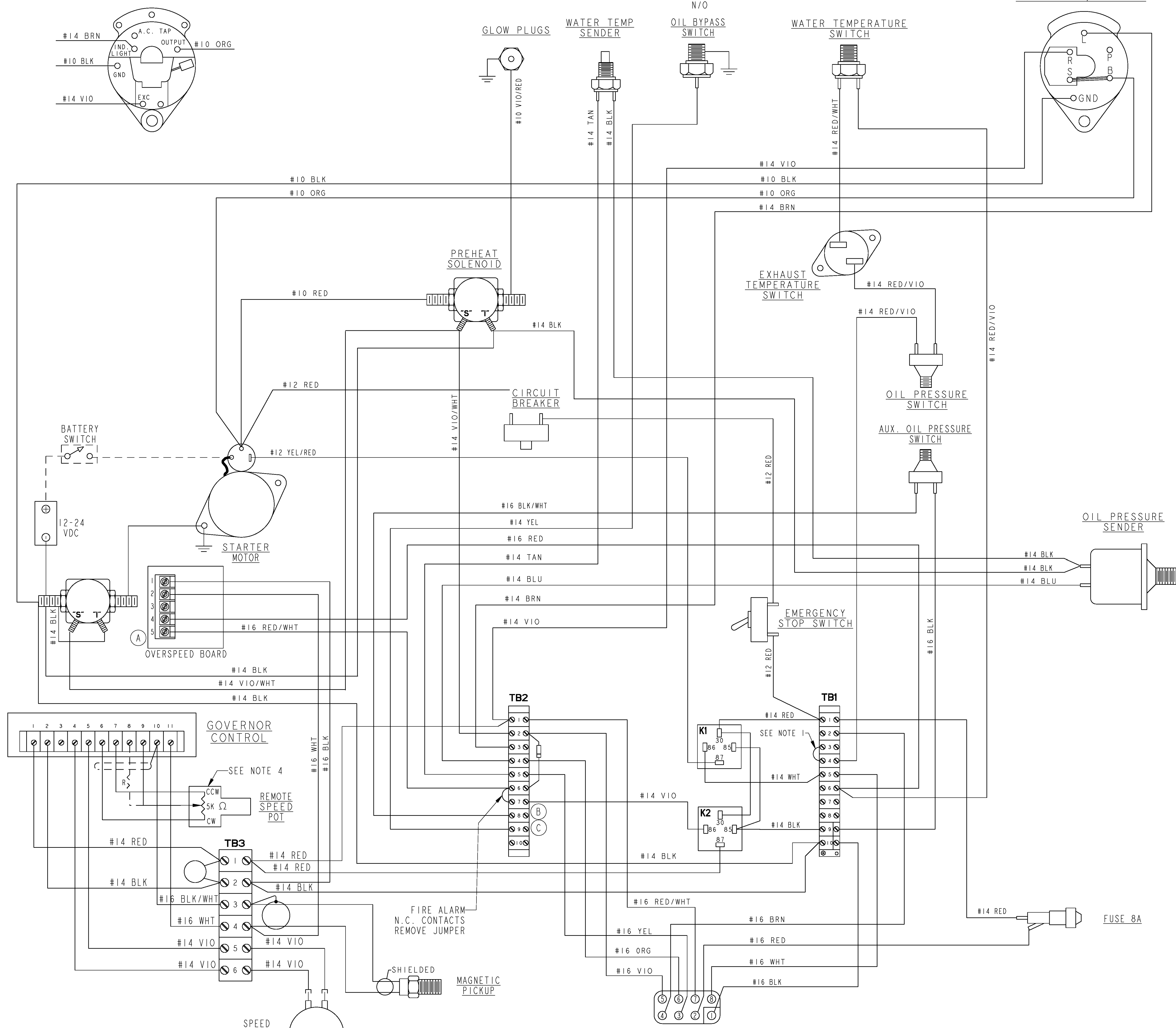
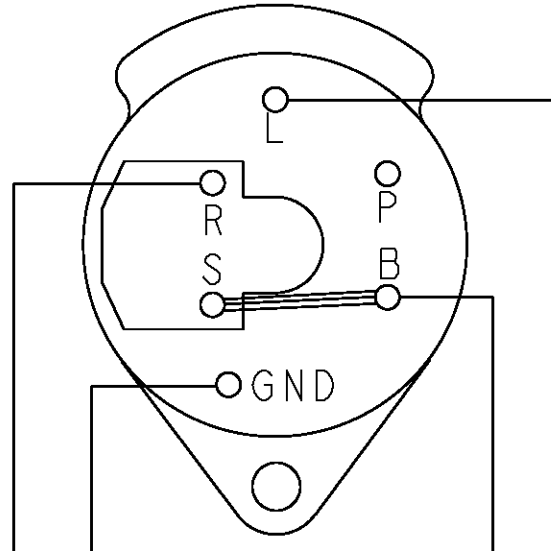


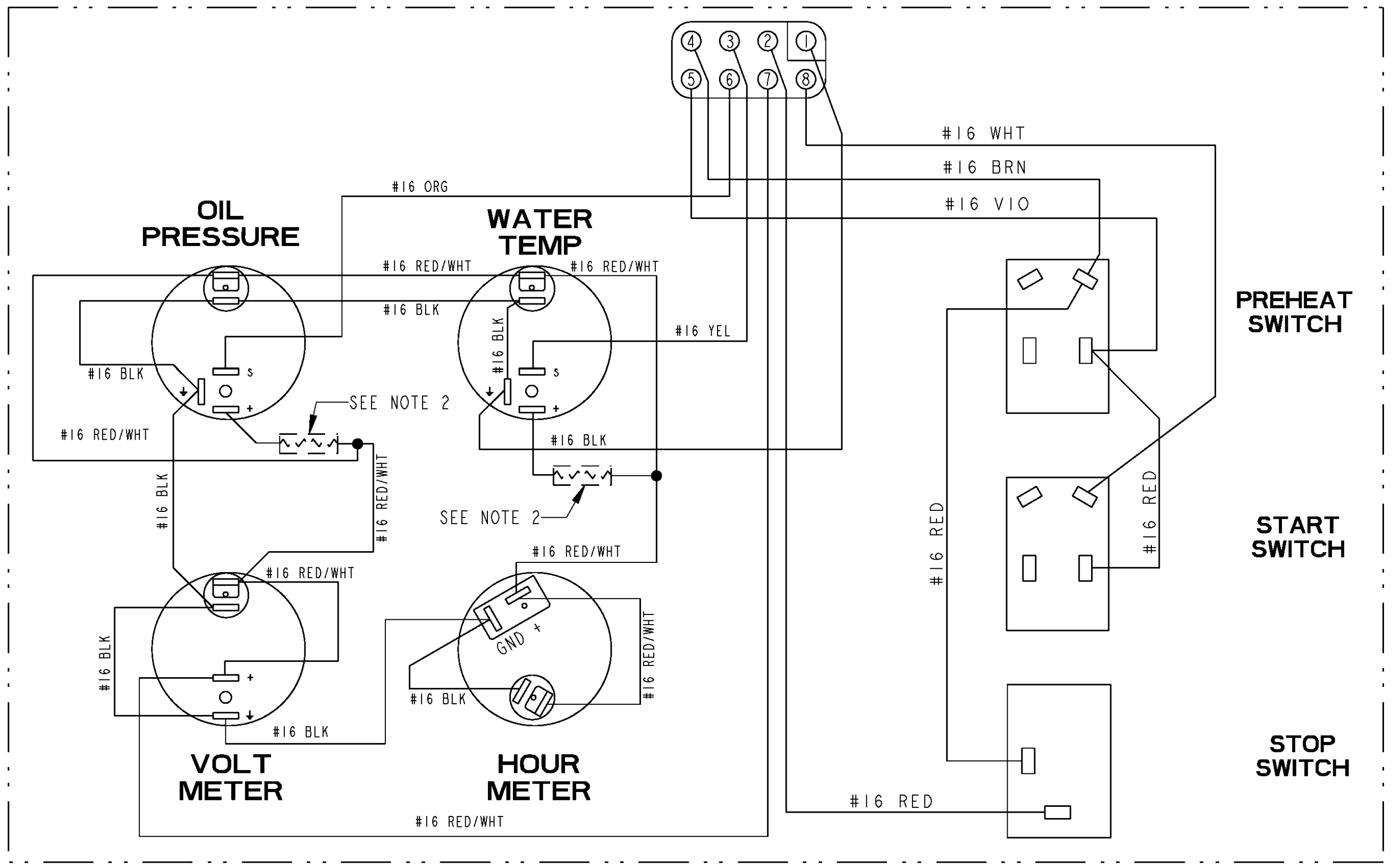
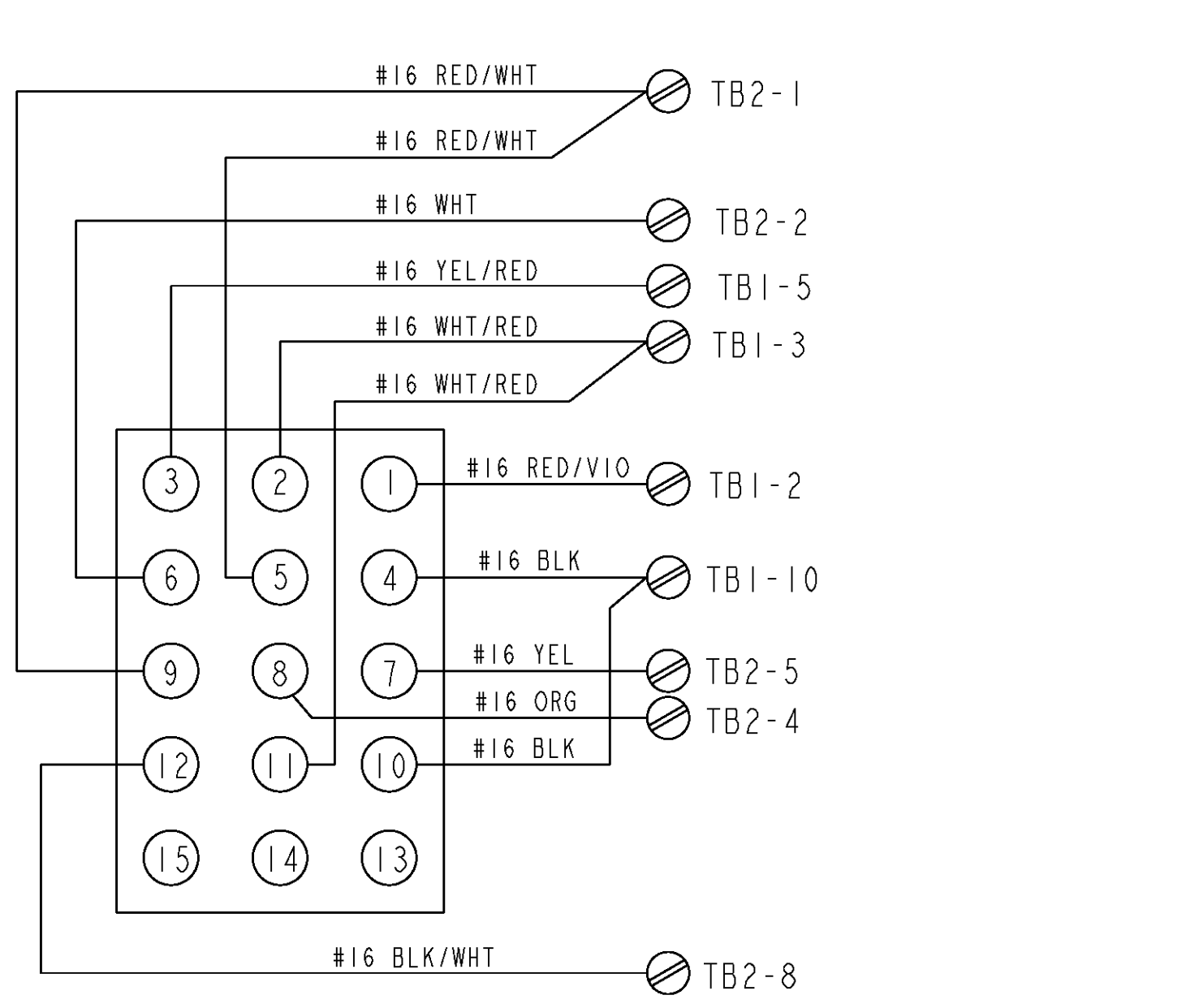
ALTERNATOR, 24V 42A



ALTERNATOR, 12V 51A

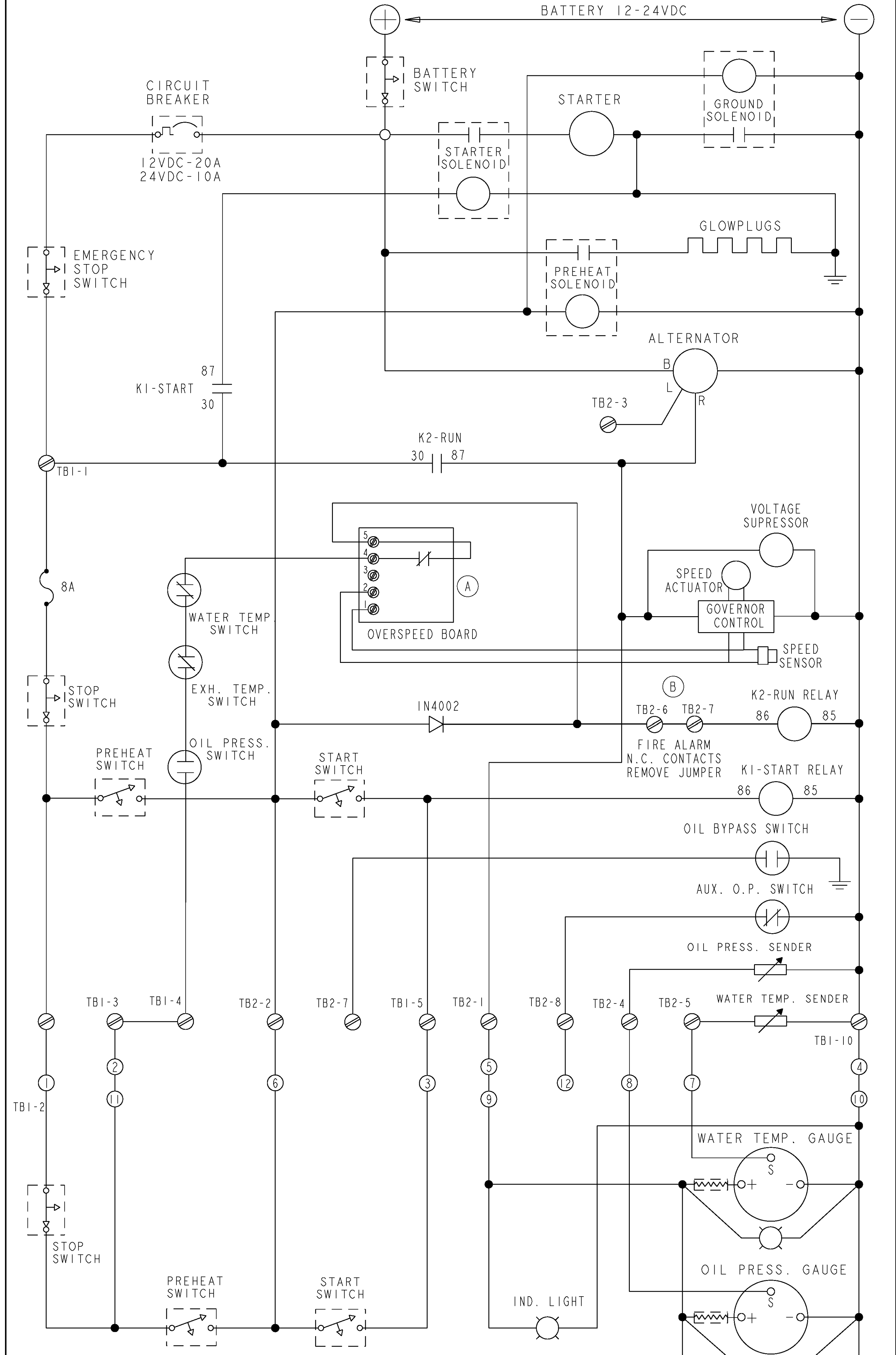


NOTE:
1. REMOVE JUMPER WHEN CONNECTING A SECOND REMOTE PANEL.



INSTRUMENT PANEL

REVISION RECORD				REVISION RECORD			
ECO NO.	DATE	REV.	DESCRIPTION	ECO NO.	DATE	REV.	DESCRIPTION
6595	1-26-2009	D	UPDATE TITLE BOX WITH 45-95 BEDA MODEL.	5683	2-23-04	A	ADD OVERSPEED BOARD
				5861	11-2-04	B	ADD JUMPER BETWEEN TB2-6&7; K2-86 WAS CONNECTED TO TB2-6.
				6179	3/20-2008	C	RELOCATED #14 YEL TB2-7 TO TB2-9



-TYPICAL REMOTE START/STOP PANEL CONNECTIONS-

NOTE:
1. REMOTE CONECTOR PINS
2. FOR 24 VOLT SYSTEM, USE 150Ω RESISTOR AS SHOWN.

TOLERANCES (UNLESS OTHERWISE NOTED)		WESTERBEKE CORPORATION	
INCHES	MILLIMETERS	AVON MA. 02322	
.XX	.02	TITLE	
.XXX	.005	WIRING DIAGRAM/SCHEMATIC	
CASST	.03	45.0-95.0 BED/A - UNGND / PARALLEL	
FINISH	Ø	DRAWN BY	DATE
		Jeremy Anderson	06/Oct/03
		APPROVED BY	DATE
DIMENSIONS	SCALE	SIZE	DRAWING NUMBER
INCHES	1" = 1"	E	48910
(WHEN APPLICABLE)		SHT. 1 of 1	REV. D