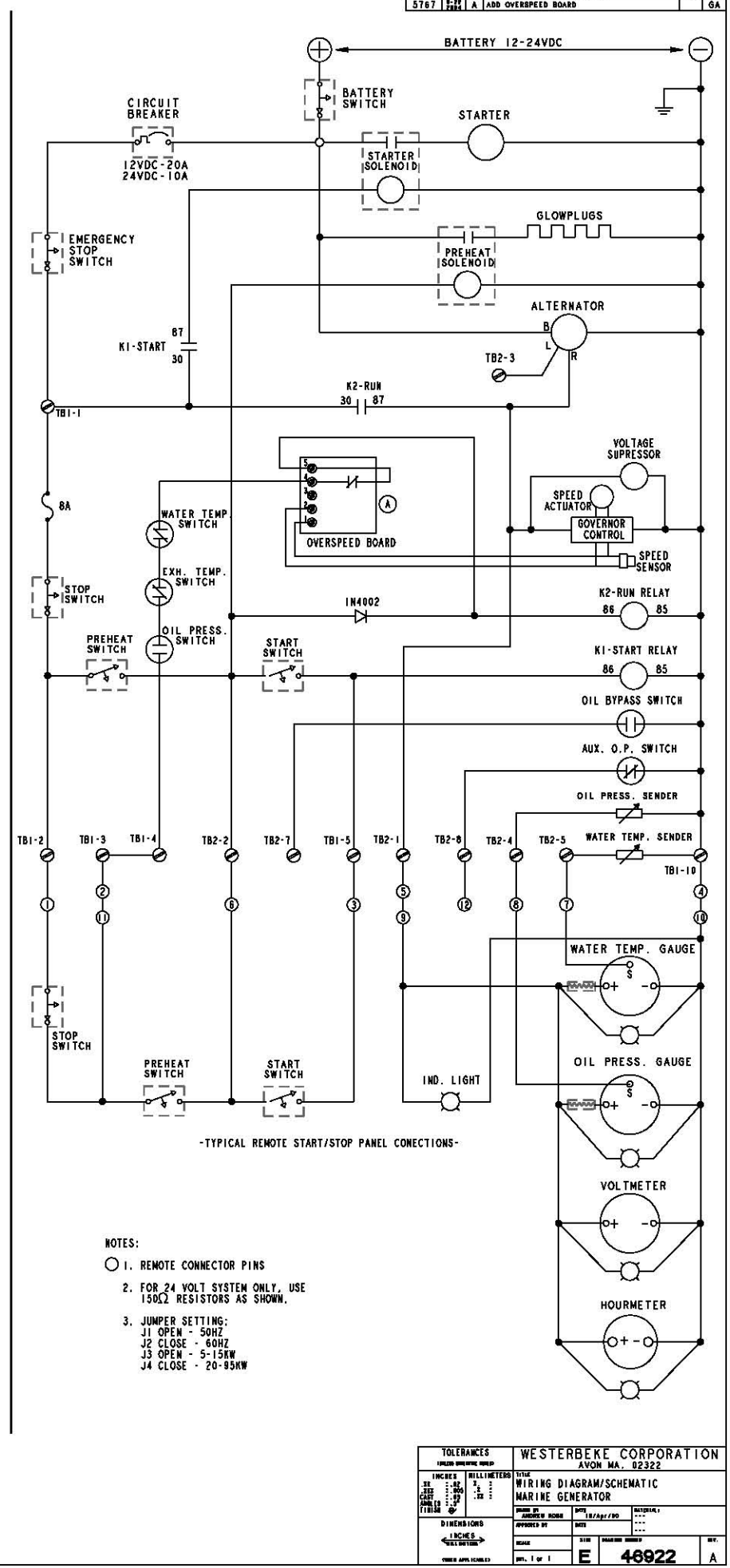
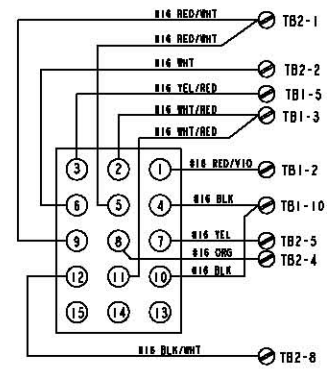


NOTE:
 1. REMOVE JUMPER WHEN CONNECTING A SECOND REMOTE PANEL.
 2. GROUND "1" TERMINAL OF PREHEAT SOLENOID ON 24V SYSTEM ONLY.



NOTES:
 1. REMOTE CONNECTOR PINS
 2. FOR 24 VOLT SYSTEM ONLY, USE 150Ω RESISTORS AS SHOWN.
 3. JUMPER SETTING:
 J1 OPEN - 50HZ
 J2 CLOSE - 60HZ
 J3 OPEN - 5-15KW
 J4 CLOSE - 20-95KW

TOLERANCES		WESTERBEKE CORPORATION AVON MA. 02322	
INCHES	MILLIMETERS	TITLE	
±.0005	±.0127	WIRING DIAGRAM/SCHEMATIC	
±.001	±.0254	MARINE GENERATOR	
±.002	±.0508	DATE	REV.
±.005	±.127	12/74	A
±.010	±.254	DESIGNED BY	DATE
±.020	±.508	12/74	12/74
±.050	±.127	APPROVED BY	DATE
±.100	±.254	GA	12/74
±.200	±.508	SCALE	FIG. NO.
±.500	±.127	1:1	46922
±.1000	±.254	DATE	REV.
±.2000	±.508	12/74	A