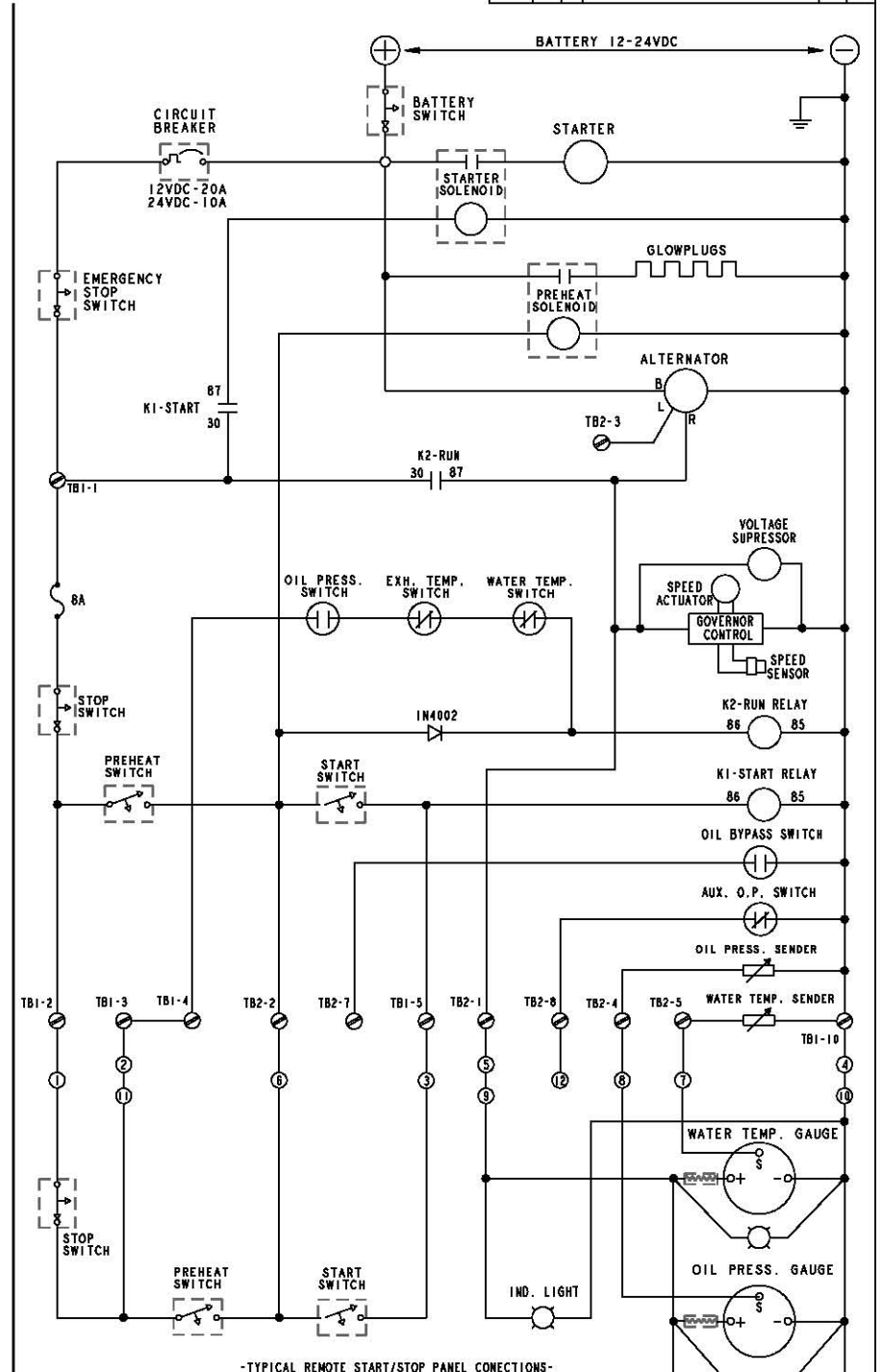
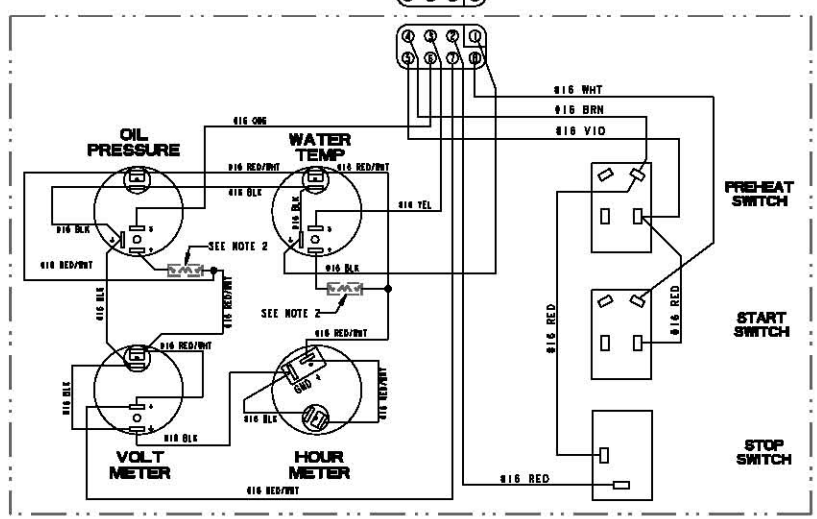
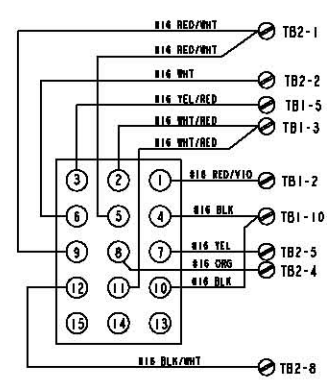


NOTE:  
 1. REMOVE JUMPER WHEN CONNECTING A SECOND REMOTE PANEL.  
 2. GROUND "1" TERMINAL OF PREHEAT SOLENOID ON 24V SYSTEM ONLY.



NOTES:  
 1. REMOTE CONNECTOR PINS  
 2. FOR 24 VOLT SYSTEM ONLY, USE 150Ω2 RESISTORS AS SHOWN.

TOLERANCES		WESTERBEKE CORPORATION AVON MA. 02322	
INCHES	MILLIMETERS	TITLE	
±.0005	±.0127	WIRING DIAGRAM/SCHEMATIC	
±.0010	±.0254	MARINE GENERATOR	
±.0015	±.0381	DATE	REV.
±.0020	±.0508	BY	DATE
±.0030	±.0762	CHKD	DATE
±.0040	±.1016	APP'D	DATE
±.0050	±.1270	SCALE	BY
±.0060	±.1524	NO. OF SHEETS	TOTAL SHEETS
±.0070	±.1778	1	1
±.0080	±.2032	PART NUMBER	
±.0090	±.2286	46922	
±.0100	±.2540	REV.	
±.0110	±.2794	E	
±.0120	±.3048	1 of 1	