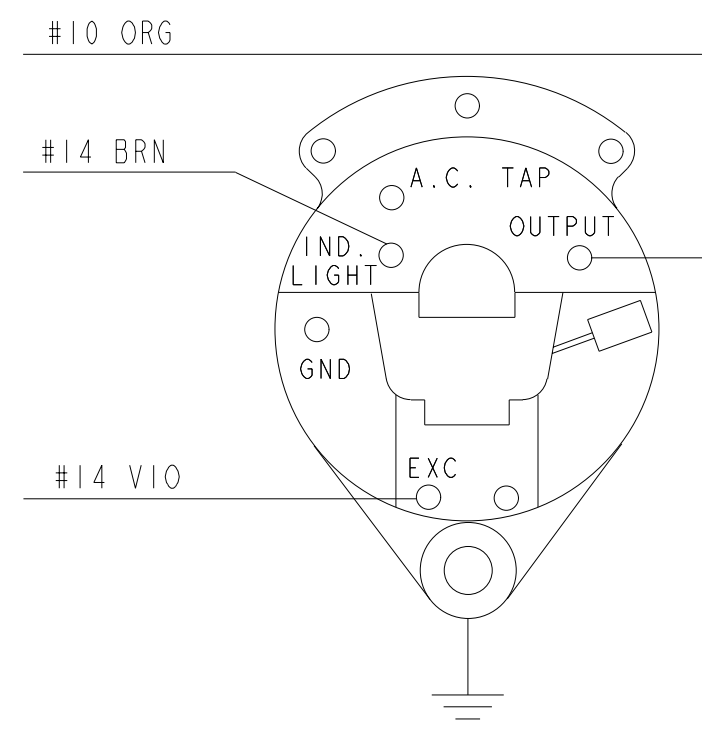
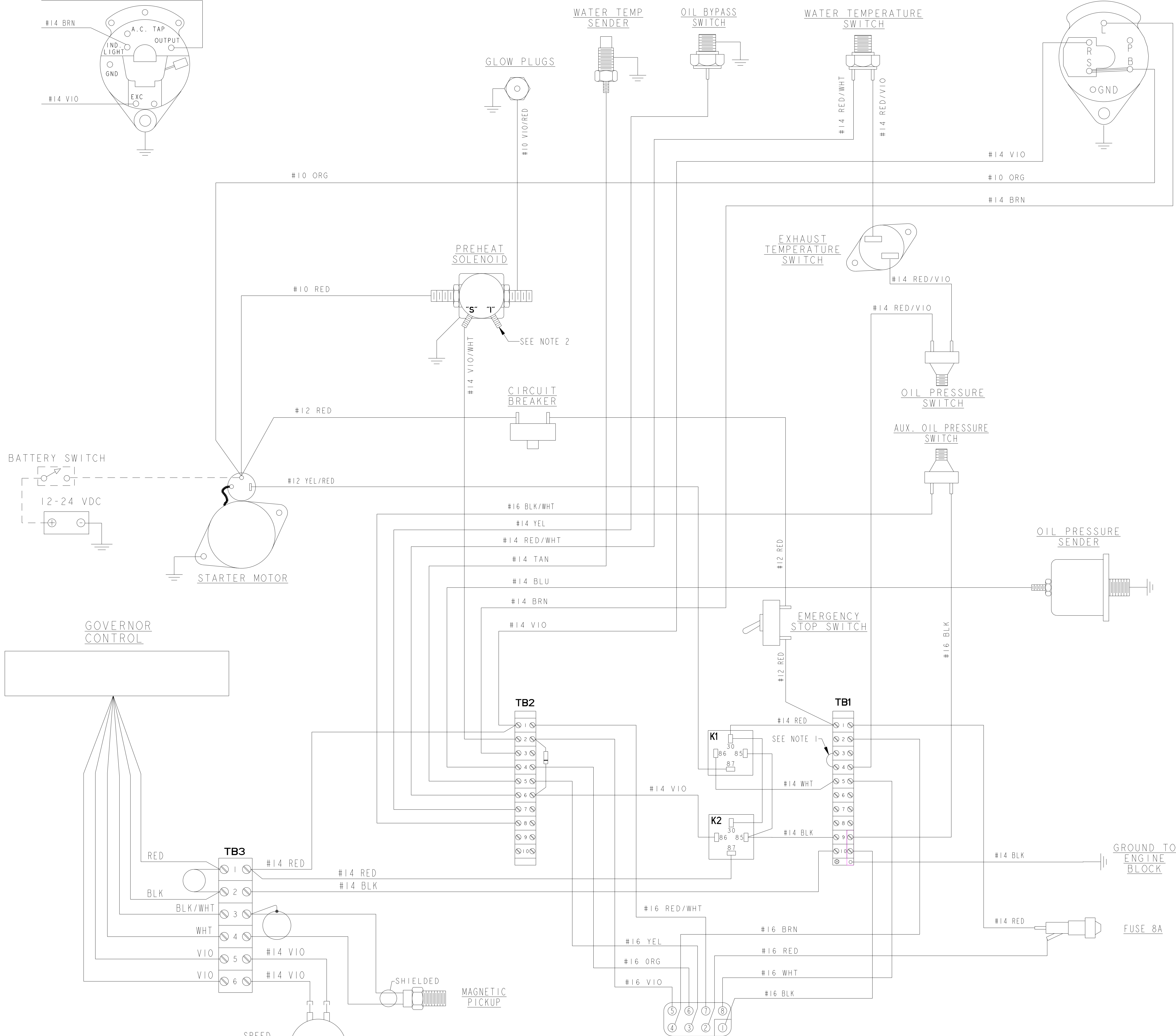
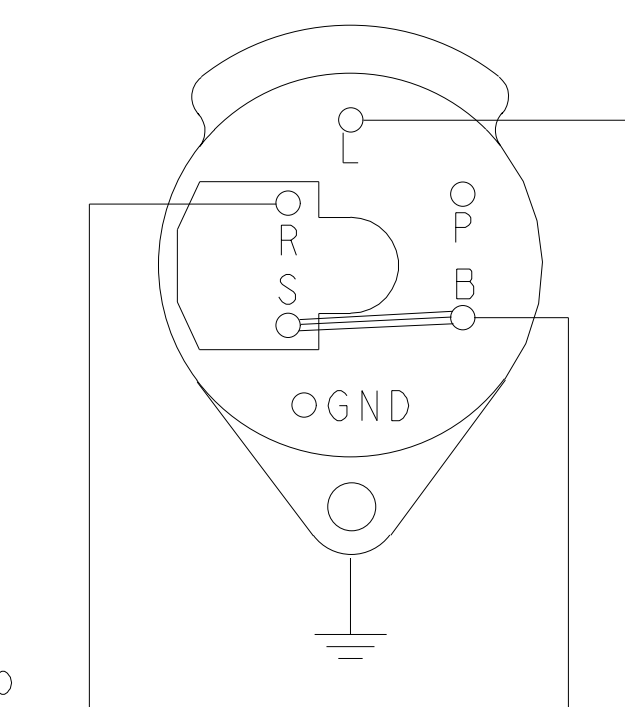


ALTERNATOR, 24VDC 42A



ALTERNATOR, 12V 51A



NOTE:

1. REMOVE JUMPER WHEN CONNECTING A SECOND REMOTE PANEL.
2. GROUND "1" TERMINAL OF PREHEAT SOLENOID ON 24V SYSTEM ONLY.

