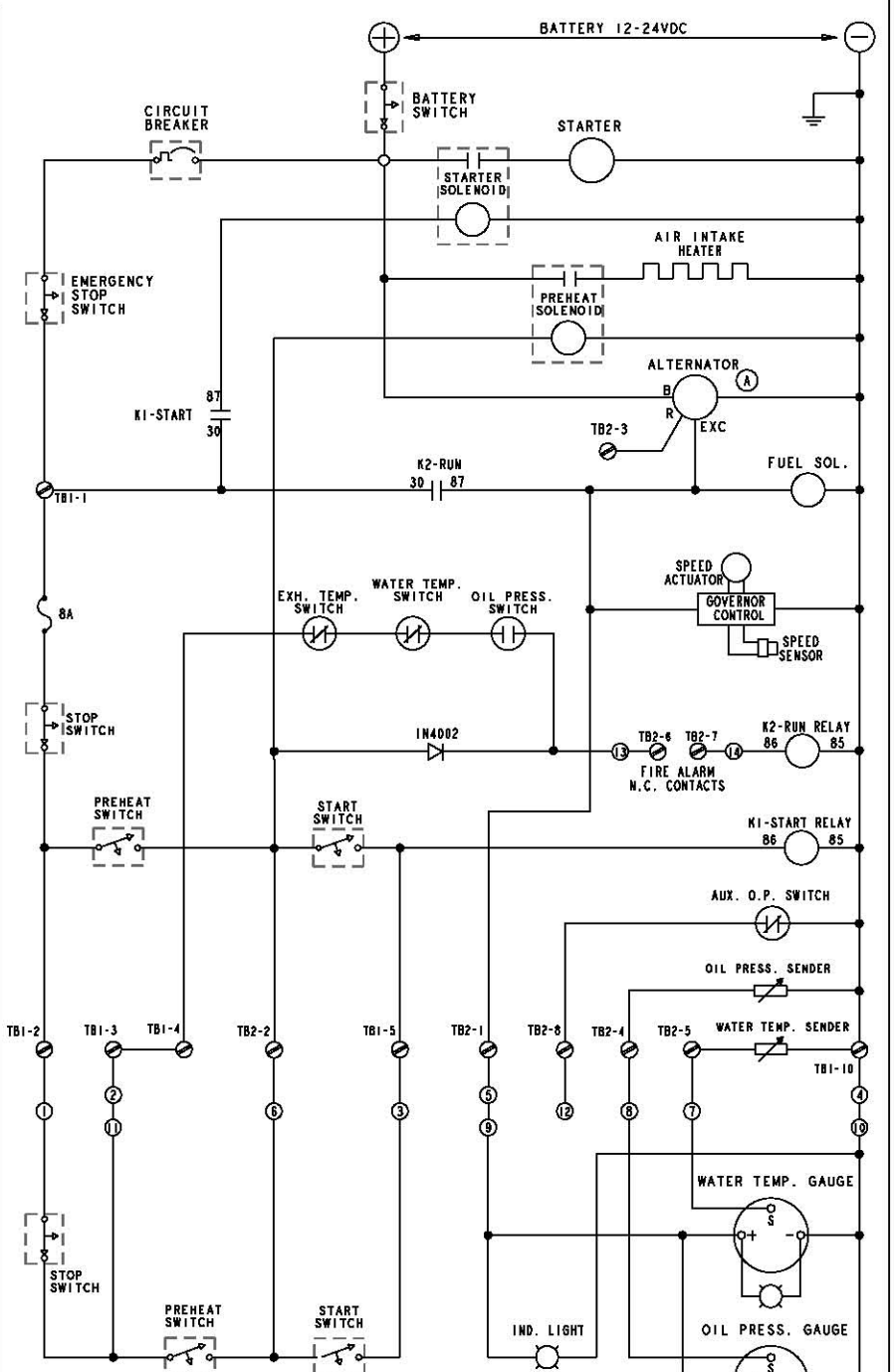
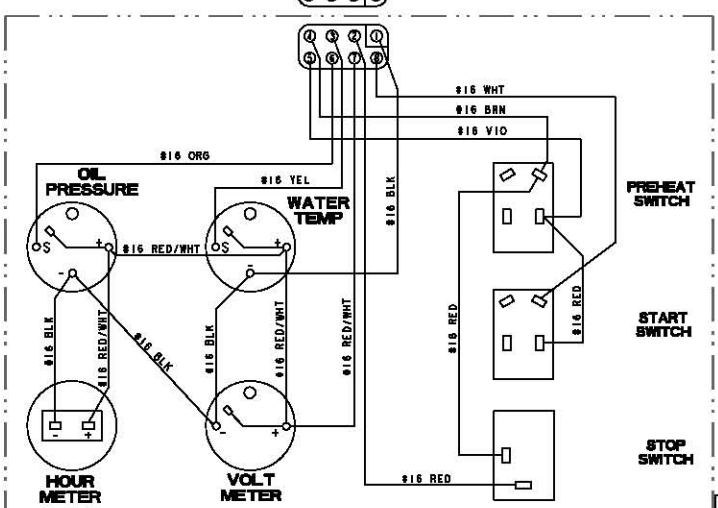
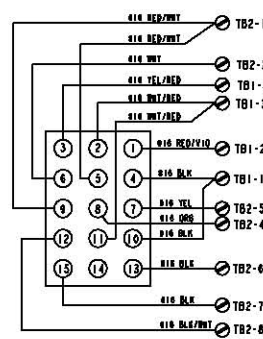


NOTE:
1. REMOVE JUMPER WHEN CONNECTING A SECOND REMOTE PANEL.



-TYPICAL REMOTE START/STOP PANEL CONNECTIONS-

NOTE:
○ REMOTE CONNECTOR PINS

ECO NO.	DATE	REV.	REVISION RECORD	AUTH.	DR. BY
4632	7/91	A	UPDATED ALTERNATOR WIRING SCHEMATIC; ADDED TRANSIENT VOLTAGE SUPPRESSOR TO CIRCUIT.		7SM

TOLERANCES		WESTERBEKE CORPORATION AVON MA. 02322	
UNLESS OTHERWISE SPECIFIED	INCHES	MILLIMETERS	TITLE
	1/16	1.6	WIRING DIAGRAM/SCHEMATIC, VIKING 25.0 BEDA, 32.0 BEDA - SRC
	1/32	0.8	
	1/64	0.4	
	0.0015	0.038	
DIMENSIONS UNLESS OTHERWISE SPECIFIED	INCHES	MILLIMETERS	
SCALE NONE			
PART. 1 OF 1		44806	