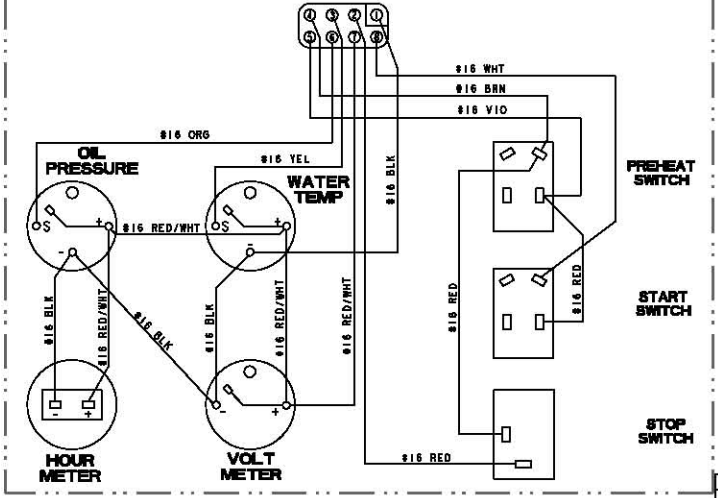
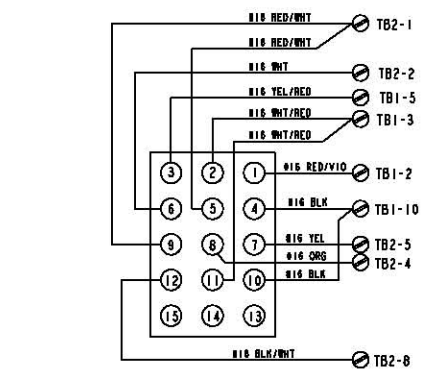


NOTE:  
REMOTE CONECTOR PINS

NOTES:  
1. REMOVE JUMPER WHEN CONNECTING A SECOND REMOTE PANEL.  
2. GROUND '1' TERMINAL OF PREHEAT SOLENOID ON 24V SYSTEM ONLY.  
3. ○ REMOTE CONECTOR PINS.  
4. THE 5K REMOTE SPEED POTENTIOMETER CAN BE WIRED TWO DIFFERENT WAYS:  
1. AS SHOWN BY THE SOLID LINE FROM THE WIPER OF THE 5K POTENTIOMETER AND THEN CONNECTED TO TERMINAL 9 (NO RESISTOR REQUIRED). ADJUSTIBLE RANGE IS APPROXIMATELY  $\pm 5\%$  AT 1800 RPM.  
2. AS SHOWN BY THE DASHED LINE FROM THE WIPER OF THE 5K POTENTIOMETER THROUGH RESISTOR 'R' AND THEN CONNECTED TO TERMINAL 8. REDUCING THE VALUE OF 'R' INCREASES THE REMOTE ADJUSTIBLE SPEED RANGE.



TOLERANCES		WESTERBEKE CORPORATION AVON MA. 02322	
INCHES	MILLIMETERS	TITLE	
.0015	.038	WIRING DIAGRAM/SCHEMATIC	
DRAWN BY		32.0 BEDA - SRC, PARALLELED	
CHECKED BY		DATE	
APPROVED BY		REV.	
SCALE NONE		E 46753	
SHEET 1 OF 1			

ECO NO.	DATE	REV.	REVISION RECORD	AUTH.	DR.	ECO NO.	DATE	REV.	REVISION RECORD	AUTH.	DR.
---------	------	------	-----------------	-------	-----	---------	------	------	-----------------	-------	-----