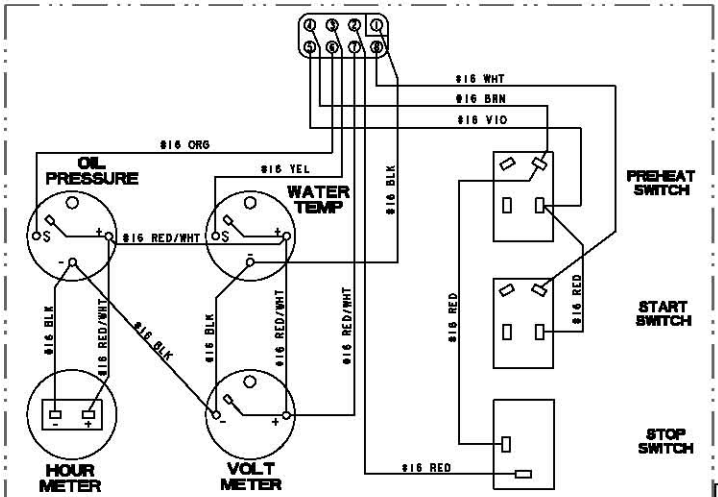
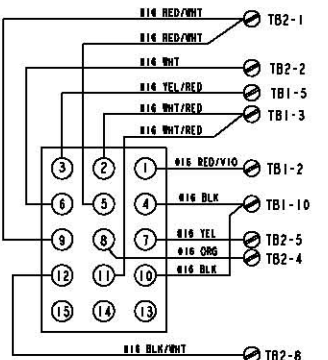


NOTE:  
 1. REMOVE JUMPER WHEN CONNECTING A SECOND REMOTE PANEL.



ECO NO.	DATE	REV.	REVISION RECORD	AUTH.	DR. ST.

ECO NO.	DATE	REV.	REVISION RECORD	AUTH.	DR. ST.

TOLERANCES		WESTERBEKE CORPORATION	
UNLESS OTHERWISE SPECIFIED		AVON MA. 02322	
INCHES	MILLIMETERS	TITLE	
±.0005	±.0127	WIRING DIAGRAM/SCHEMATIC, 20.0 BEDA	
±.0010	±.0254	25.0 BED, 12-24VDC UNGROUNDED - SRC	
±.0015	±.0381	DATE	REV.
±.0020	±.0508		
±.0030	±.0762		
±.0040	±.1016		
±.0050	±.1270		
±.0060	±.1524		
±.0070	±.1778		
±.0080	±.2032		
±.0090	±.2286		
±.0100	±.2540		
±.0110	±.2794		
±.0120	±.3048		
±.0130	±.3302		
±.0140	±.3556		
±.0150	±.3810		
±.0160	±.4064		
±.0170	±.4318		
±.0180	±.4572		
±.0190	±.4826		
±.0200	±.5080		
±.0210	±.5334		
±.0220	±.5588		
±.0230	±.5842		
±.0240	±.6096		
±.0250	±.6350		
±.0260	±.6604		
±.0270	±.6858		
±.0280	±.7112		
±.0290	±.7366		
±.0300	±.7620		
±.0310	±.7874		
±.0320	±.8128		
±.0330	±.8382		
±.0340	±.8636		
±.0350	±.8890		
±.0360	±.9144		
±.0370	±.9398		
±.0380	±.9652		
±.0390	±.9906		
±.0400	±.1016		
±.0410	±.1118		
±.0420	±.1220		
±.0430	±.1322		
±.0440	±.1424		
±.0450	±.1526		
±.0460	±.1628		
±.0470	±.1730		
±.0480	±.1832		
±.0490	±.1934		
±.0500	±.2036		
±.0510	±.2138		
±.0520	±.2240		
±.0530	±.2342		
±.0540	±.2444		
±.0550	±.2546		
±.0560	±.2648		
±.0570	±.2750		
±.0580	±.2852		
±.0590	±.2954		
±.0600	±.3056		
±.0610	±.3158		
±.0620	±.3260		
±.0630	±.3362		
±.0640	±.3464		
±.0650	±.3566		
±.0660	±.3668		
±.0670	±.3770		
±.0680	±.3872		
±.0690	±.3974		
±.0700	±.4076		
±.0710	±.4178		
±.0720	±.4280		
±.0730	±.4382		
±.0740	±.4484		
±.0750	±.4586		
±.0760	±.4688		
±.0770	±.4790		
±.0780	±.4892		
±.0790	±.4994		
±.0800	±.5096		
±.0810	±.5198		
±.0820	±.5300		
±.0830	±.5402		
±.0840	±.5504		
±.0850	±.5606		
±.0860	±.5708		
±.0870	±.5810		
±.0880	±.5912		
±.0890	±.6014		
±.0900	±.6116		
±.0910	±.6218		
±.0920	±.6320		
±.0930	±.6422		
±.0940	±.6524		
±.0950	±.6626		
±.0960	±.6728		
±.0970	±.6830		
±.0980	±.6932		
±.0990	±.7034		
±.1000	±.7136		