

SERVICE BULLETIN

DATE: 2 FEBRUARY 2009

SERVICE BULLETIN #255

MODELS: CENTURY SERIES

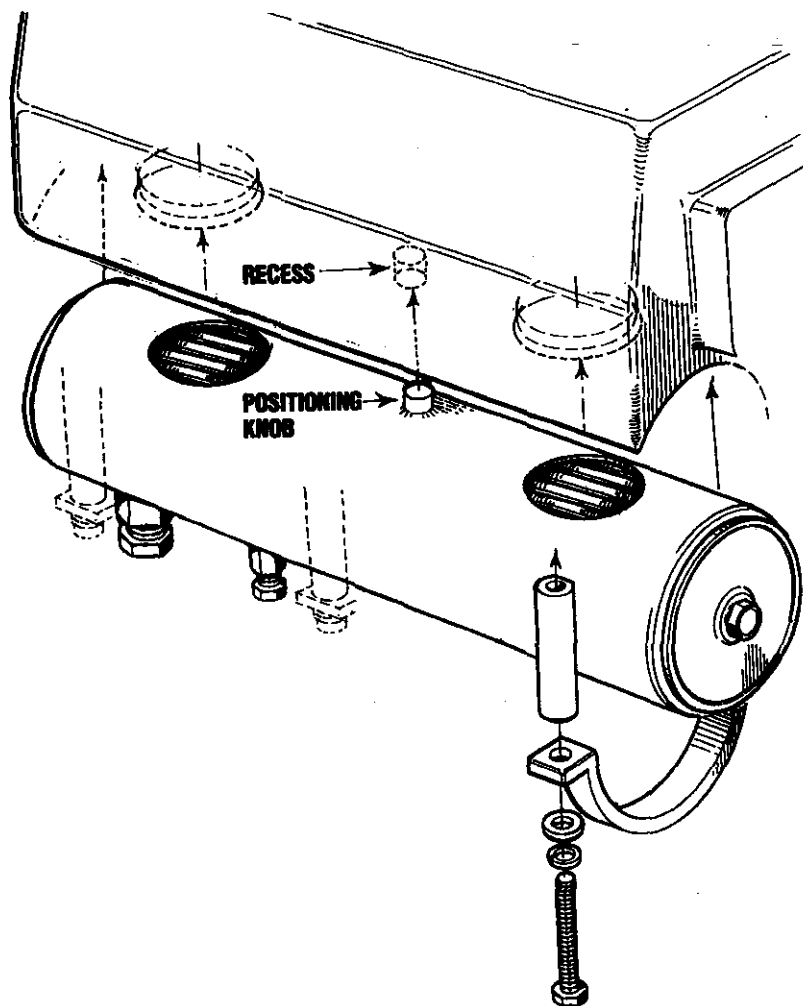
ALL PROPULSION AND GENERATOR MODELS

SUBJECT: HEAT EXCHANGER POSITIONING KNOB

INSTALLERS MUST BE AWARE OF THE POSITIONING KNOB ON THE BODY OF THE HEAT EXCHANGER AND THE MATING RECESS IN THE EXHAUST MANIFOLD. THE ILLUSTRATION BELOW SHOWS THE POSITIONING KNOB AND RECESS.

THE POSITIONING KNOB MUST BE PROPERLY ALIGNED WITH THE MACHINED RECESS IN THE EXHAUST MANIFOLD TO CORRECTLY LOCATE THE EXCHANGER ON THE EXHAUST MANIFOLD SO THE INLET AND OUTLET OPENING OF THE EXCHANGER WILL ALIGN CORRECTLY WITH THE INLET AND OUTLET OPENINGS OF THE EXHAUST MANIFOLD AND MATE PROPERLY TO THE SEALING "O" RINGS IN THE EXHAUST MANIFOLD.

FAILURE TO PROPERLY ENGAGE THIS POSITIONING KNOB INTO THE RECESS WILL RESULT IN HEAT EXCHANGER DAMAGE AND COOLANT LEAKAGE.



WESTERBEKE CORPORATION • TEL. 1-508-823-7677
MYLES STANDISH INDUSTRIAL PARK,
150 JOHN HANCOCK ROAD, TAUNTON, MA 02780-7319