

SERVICE BULLETIN

DATE: May 13, 2010

BULLETIN NUMBER: 258

SUBJECT: Safe CO Throttle Body Stepper Motor

MODELS AFFECTED: All Safe CO Models

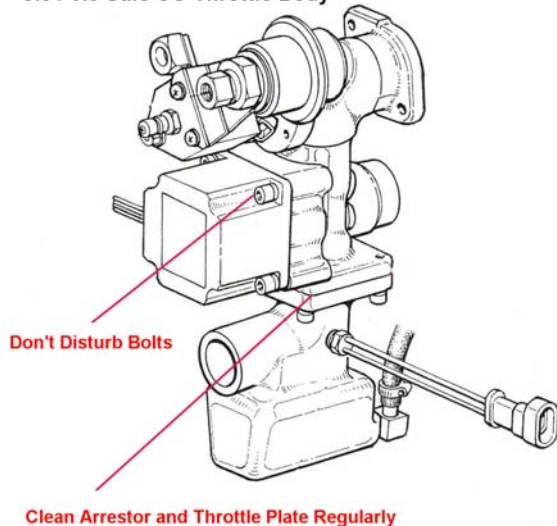
DETAIL: Westerbeke Safe CO products are equipped with a throttle body that includes a stepper motor which is precisely positioned at the factory. The motor functions based on signals from the E.C.U. (Electronic Control Unit) in conjunction with the fuel injector and engine's sensors. The signal indexes the throttle plate very accurately during engine operation. The stepper motor must be correctly positioned during assembly in order for the E.C.U. to achieve accurate throttle position. It's imperative that the position of the stepper motor is not disturbed.

Because of the importance of accurate throttle plate position the stepper motor is precisely positioned when it is assembled in the manufacturing process using a detailed process and specialized equipment. This careful positioning provides a specific "step to close" number that the E.C.U. uses to correctly position the throttle plate at all times when the generator engine is running. The stepper motor can not be repositioned properly in the field.

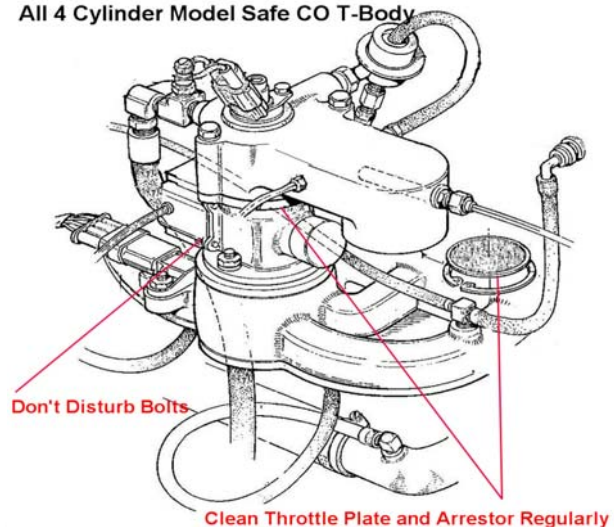
The throttle body should be serviced regularly to keep the throttle plate from sticking (interval dependent upon the environment). Use a cleaner such as an oxygen sensor and catalyst friendly throttle body cleaner.

Removal or loosening of the throttle plate or stepper motor hold down screws is not recommended and it could void the warranty.

5.0 / 6.5 Safe CO Throttle Body



All 4 Cylinder Model Safe CO T-Body



WESTERBEKE CORPORATION, Myles Standish Industrial Park, 150 John Hancock Road, Taunton, MA 02780-7319, TEL: 508.823.7677

www.westerbeke.com
www.safeCOproducts.com