

# PARTS DEPARTMENT BULLETIN

**DATE:** Revised, December 8, 2009

**BULLETIN NUMBER:** 2009-7

**SUBJECT:** Carburetor PN 039454 and 049379 are no longer available. \*This bulletin was issued November 17<sup>th</sup>, 2009 and is revised as follows. Please discard the original version.\*

**DETAIL:** Carburetor PN 039454, used on 20.0 and 25.0 BEG products, is no longer available. It was discontinued from the production process after May of 2004 (date code E405). A rebuild kit for this carburetor is still available. Use PN 036450 KIT, CARBURETOR REPAIR.

After E405 date code the models 20.0 and 25.0 BEG changed to BEGA. This model change designates that carburetor PN 049379 was then used. 20.0 BEGA products used this carburetor until date code E509. 25.0 BEGA products used this carburetor until date code E602. A rebuild kit for this carburetor is still available. Use PN 038100 KIT, CARBURETOR REPAIR.

Availability of lower level components other than those parts included in the repair kits for either old carburetor is limited. Please research individual component availability as required.

After the above mentioned dates the carburetor used on 20.0 and 25.0 BEGA products changed to 052563. A rebuild kit for this carburetor is available. Use PN 052700 KIT, CARBURETOR REPAIR.

PN 052585 CARBURETOR KIT 20-25 BEGA CONVE, is a conversion kit that has been created to cover those instances where a replacement for 039454 or 049379 is required. This new conversion kit includes a new 052563 carburetor as well as any gaskets and hardware required. See included installation instructions for more details.

For your convenience please insert a copy of this bulletin into parts list PN 048000 between pages 124 and 125.



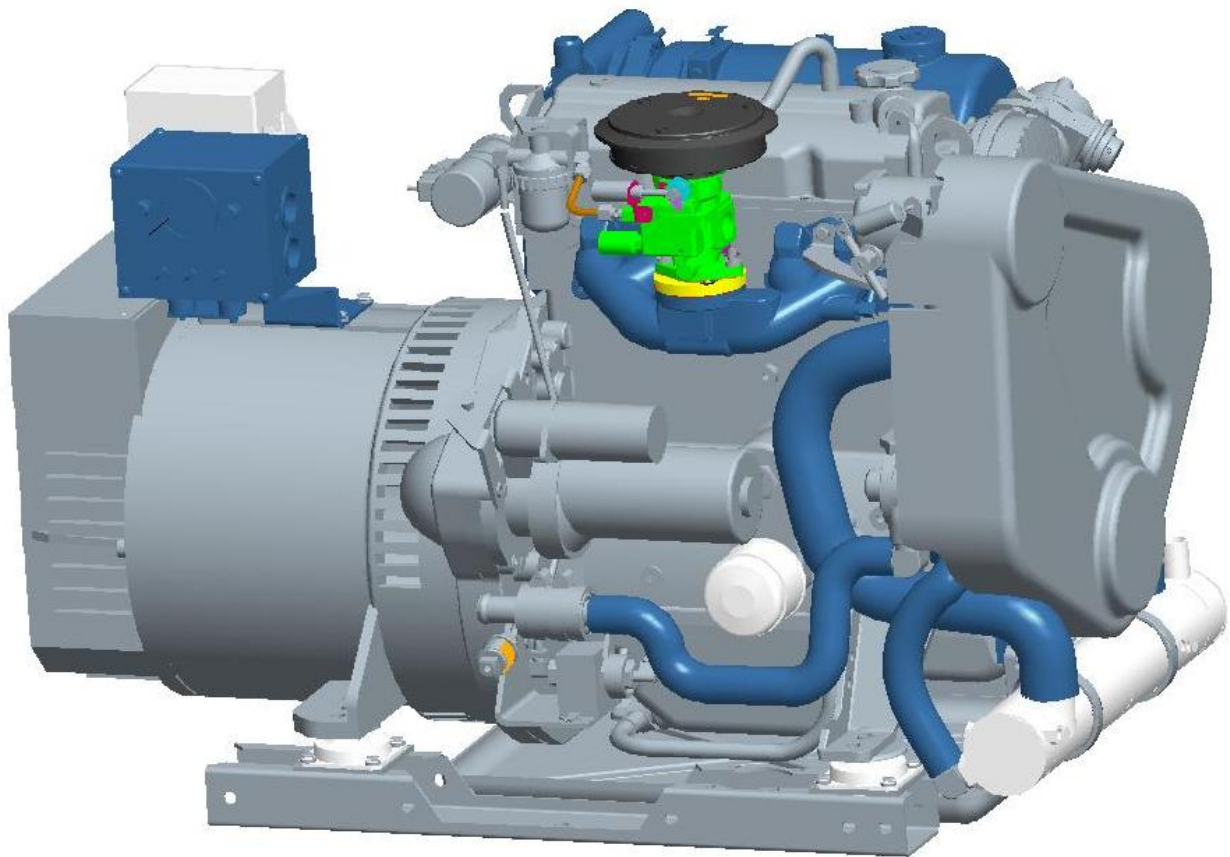
WESTERBEKE CORPORATION, Myles Standish Industrial Park, 150 John Hancock Road, Taunton, MA 02780-7319, TEL: 508.823.7677

[www.westerbeke.com](http://www.westerbeke.com)  
[www.safeCOproducts.com](http://www.safeCOproducts.com)



## 20.0-25.0 BEG/A 52585 Carburetor Retrofit Kit

### Installation Instructions & Parts List



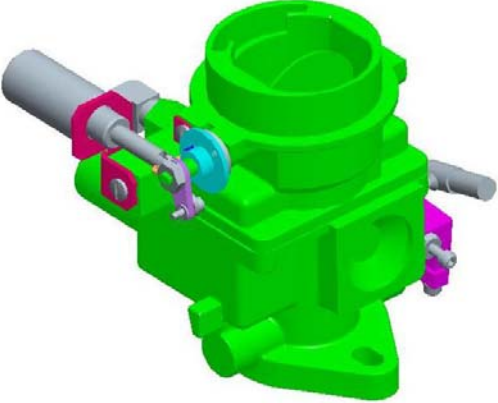









Form Number 52584 – Rev. -

Westerbeke Corporation

150 John Hancock Road, Taunton MA 02780 • Tel. 508-823-7677 • Fax. 508-884-9688 • Website. [www.westerbeke.com](http://www.westerbeke.com)



## 52585 Kit, Carburetor Adapter 20.0-25.0 BEG/A

Part No.	Description	Qty	
52366	Gasket, Carburetor to Adapter	1	
52377	Gasket, Intake to Adapter	1	
52563	Carburetor, 20.0-25.0 BEG	1	
52329	Adapter, Plate	1	
39874	Capscrew, M6 Socket Head	2	
52363	Screw, 5/16NC Counter Sunk	2	
52362	Stud, M8X20	2	
31786	Lockwasher M8	2	
31787	Washer M8	2	
18242	Nut M8	2	

Form Number 52584 – Rev. -

Westerbeke Corporation

150 John Hancock Road, Taunton MA 02780 • Tel. 508-823-7677 • Fax. 508-884-9688 • Website. [www.westerbeke.com](http://www.westerbeke.com)

52092	Arrester, Flame	1	
52369	Line, Fuel Filter to Carburetor	1	
52415	Plug, Idle Mixture Screw	1	

Form Number 52584 – Rev. -

Westerbeke Corporation

150 John Hancock Road, Taunton MA 02780 • Tel. 508-823-7677 • Fax. 508-884-9688 • Website. [www.westerbeke.com](http://www.westerbeke.com)

## INSTALLATION INSTRUCTIONS

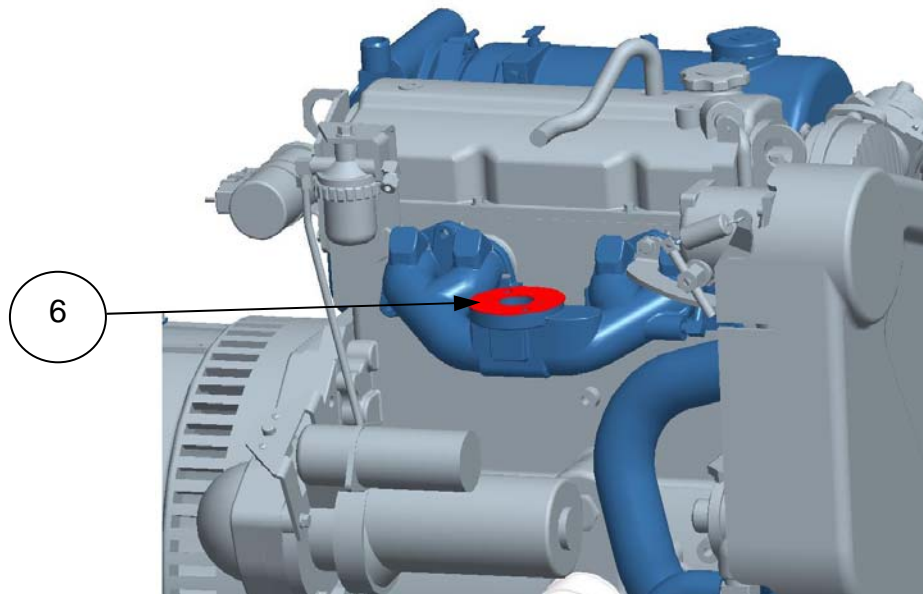
- *These instructions illustrate and explain the removal and replacement of the carburetor on you generator.*
- **Caution** - *Extreme care should be taken to avoid spillage of gasoline during the replacement of the fuel line. There should be no smoking, sparks or open flames nearby and the area should be well ventilated to remove gasoline fumes.*
- **Turn off DC battery power to the generator set.**
- **Turn off the fuel supply to the generator set.**

### Installing Carburetor

1. Disconnect and discard fuel line between fuel filter and carburetor.

**Caution** - *Gasoline may be present at this connection. Have a suitable container available to catch any fuel that might drain from the supply line, fuel pump and/or the fuel system.*

2. Detach breather hose from flame arrestor.
3. Detach ball threaded rod from carburetor.
4. Remove and discard the existing carburetor and gasket.
5. Detach and discard breather hose from PCV valve to elbow on intake manifold.
6. Place gasket (P/N 52377) on intake manifold.



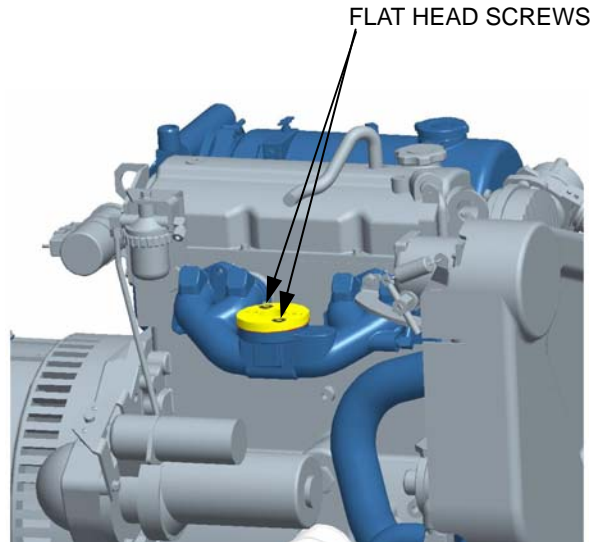
Form Number 52584 – Rev. -

Westerbeke Corporation

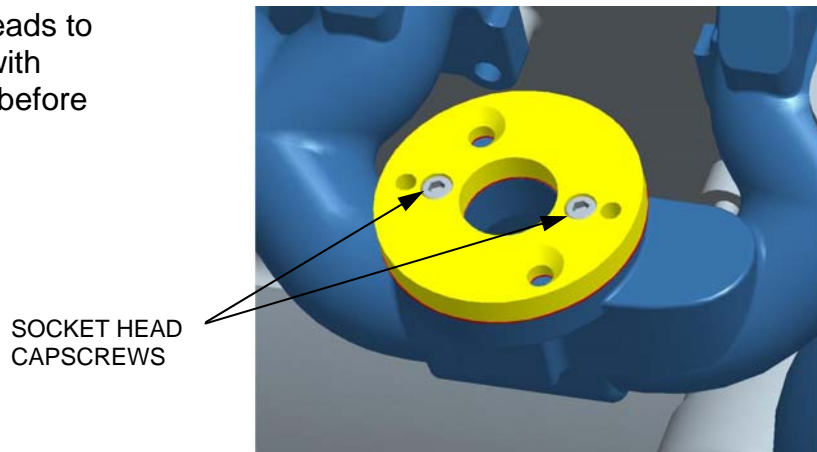
150 John Hancock Road, Taunton MA 02780 • Tel. 508-823-7677 • Fax. 508-884-9688 • Website. [www.westerbeke.com](http://www.westerbeke.com)

- Put adapter plate (P/N 52329) on gasket and secure it with 2 5/16NC flat head counter sunk screws (P/N 52363).

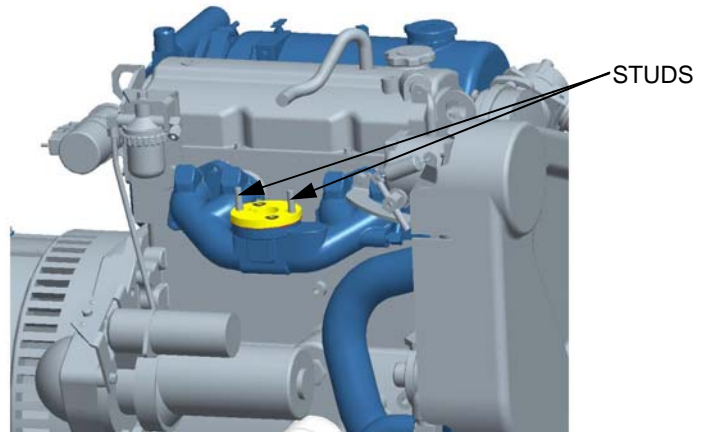
If generator model is 20-25 BEGA which has a different bolt pattern on the intake manifold, use M6 socket head capscrews (P/N 39874).



Note: Screws threads to be coated with blue loctite before installation.



- Install 2 M8 studs (P/N 52362) on adapter plate with blue loctite applied.



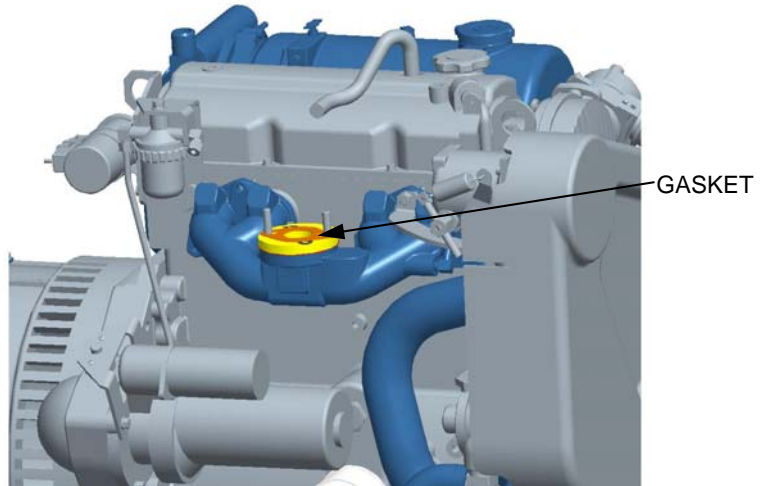
Form Number 52584 – Rev. -

Westerbeke Corporation

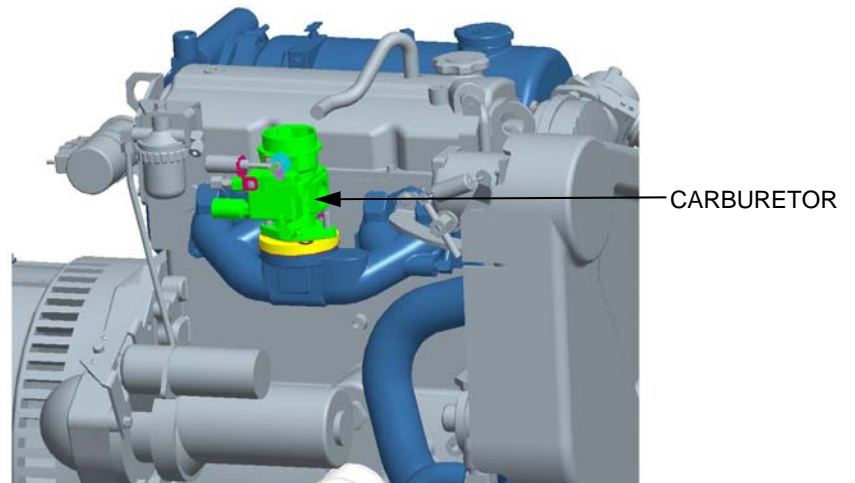
150 John Hancock Road, Taunton MA 02780 • Tel. 508-823-7677 • Fax. 508-884-9688 • Website. [www.westerbeke.com](http://www.westerbeke.com)



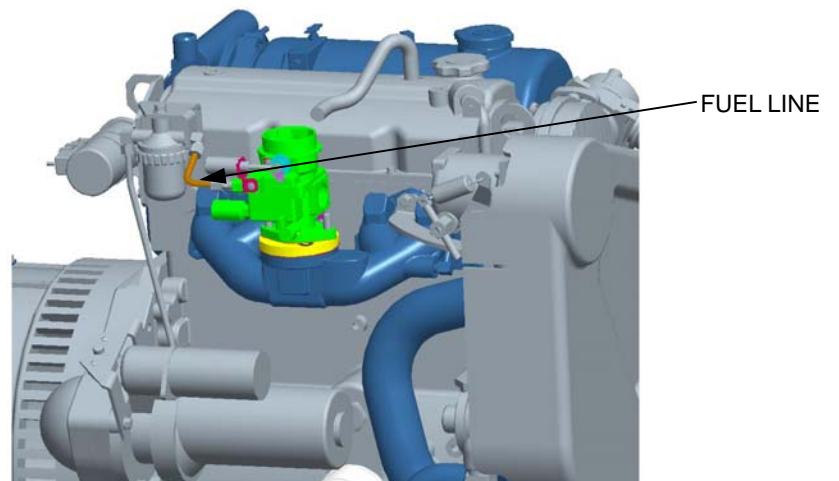
9. Place carburetor gasket (P/N 52366) on adapter plate.



10. Place new carburetor (P/N 52563) on top of gasket.



11. Properly adjust the angle of elbow fitting on fuel filter; install fuel line (P/N 52369) from filter to carburetor.

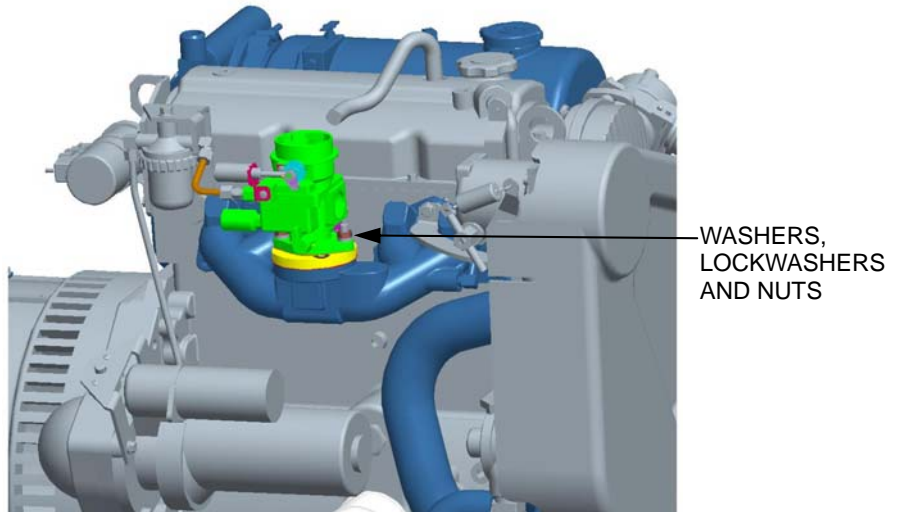


Form Number 52584 – Rev. -

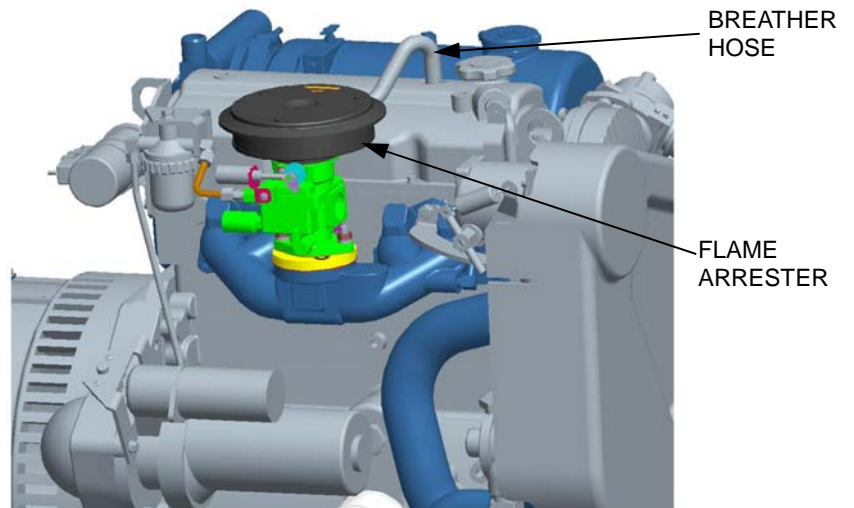
Westerbeke Corporation

150 John Hancock Road, Taunton MA 02780 • Tel. 508-823-7677 • Fax. 508-884-9688 • Website. [www.westerbeke.com](http://www.westerbeke.com)

12. Secure carburetor with M8 washers, lockwashers and nuts.



13. Install flame arrester (P/N 52092). Tighten clamp on the flame arrester until it is secure. Reattach breather hose to flame arrester. Tighten hose with existing hose clamp.



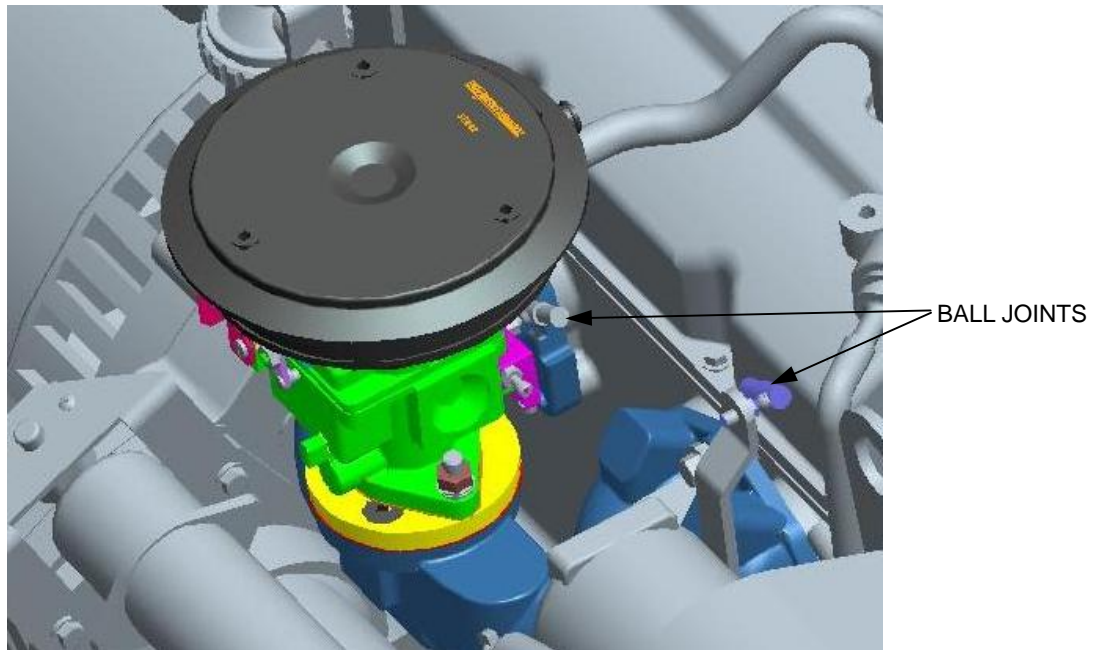
Form Number 52584 – Rev. -

Westerbeke Corporation

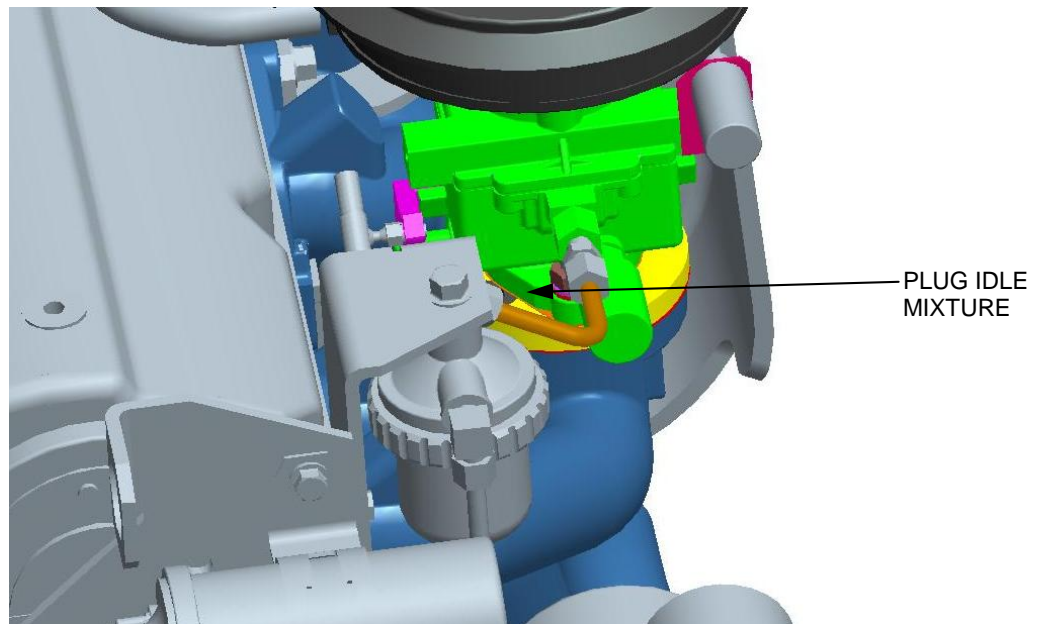
150 John Hancock Road, Taunton MA 02780 • Tel. 508-823-7677 • Fax. 508-884-9688 • Website. [www.westerbeke.com](http://www.westerbeke.com)



14. Reattach threaded rod to ball joint on carburetor.



15. Cover idle mixture screw with plug (P/N 52415) after calibrating the carburetor.



16. Installation is completed.

Form Number 52584 – Rev. -

Westerbeke Corporation

150 John Hancock Road, Taunton MA 02780 • Tel. 508-823-7677 • Fax. 508-884-9688 • Website. [www.westerbeke.com](http://www.westerbeke.com)