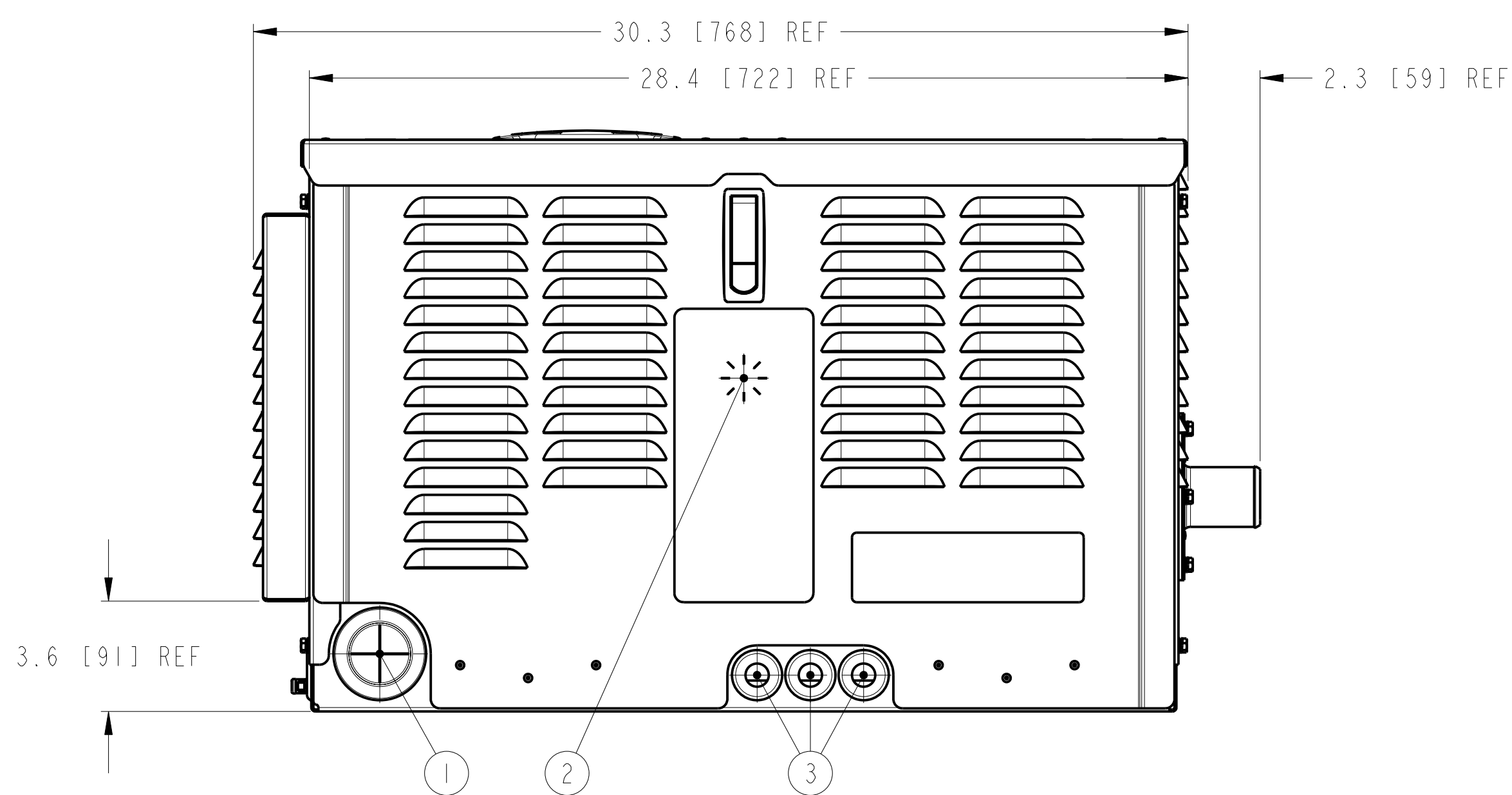
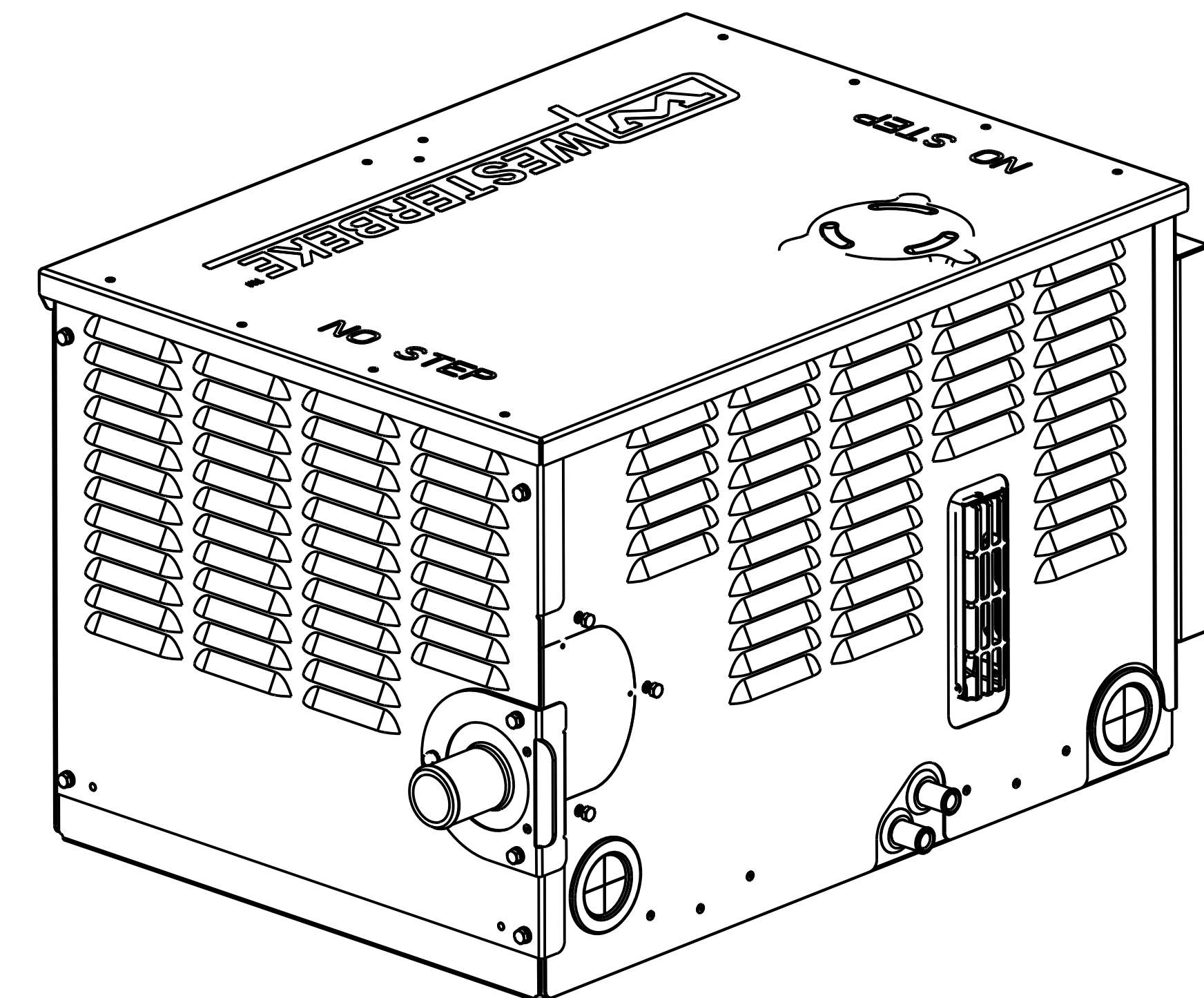
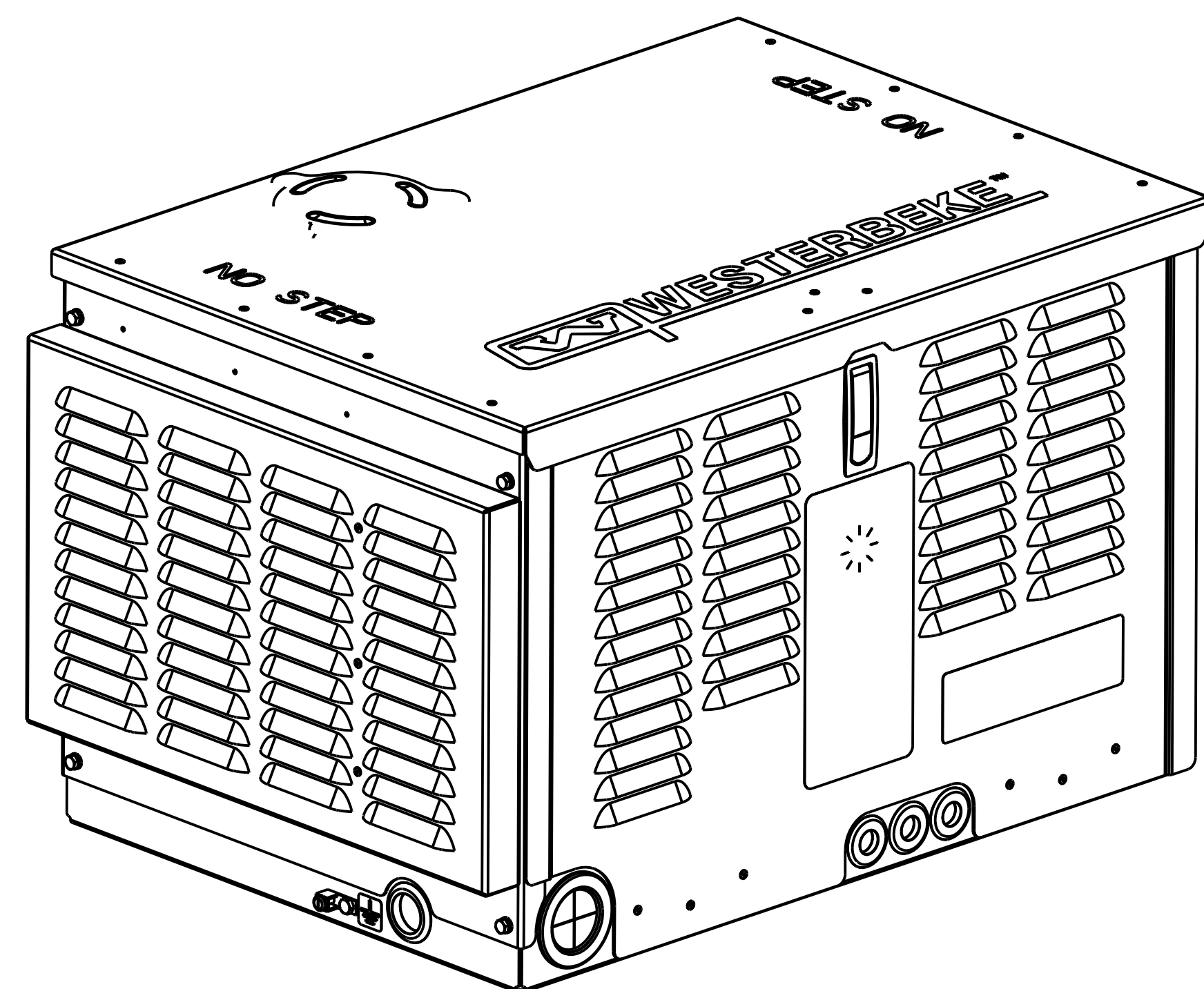
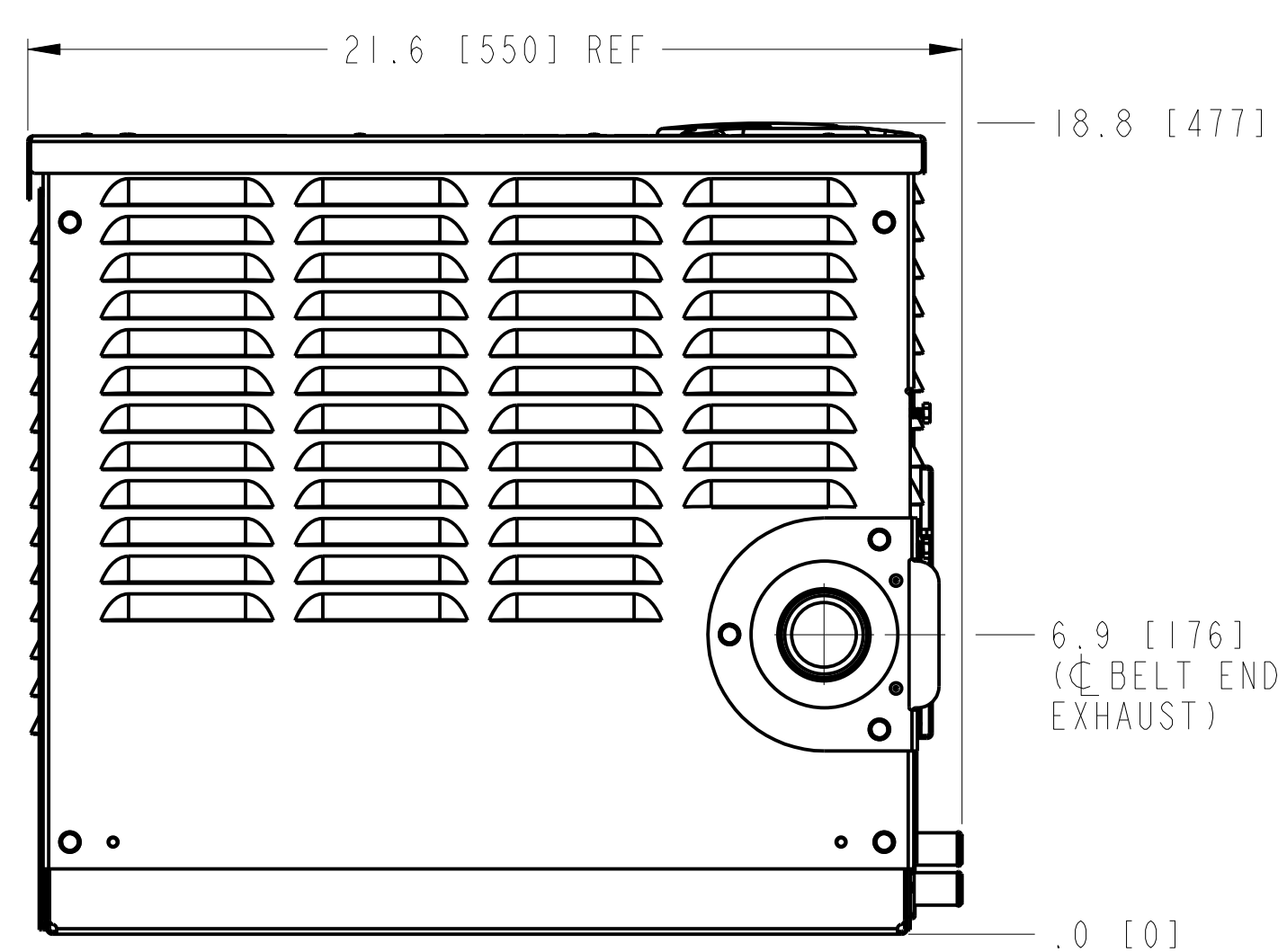


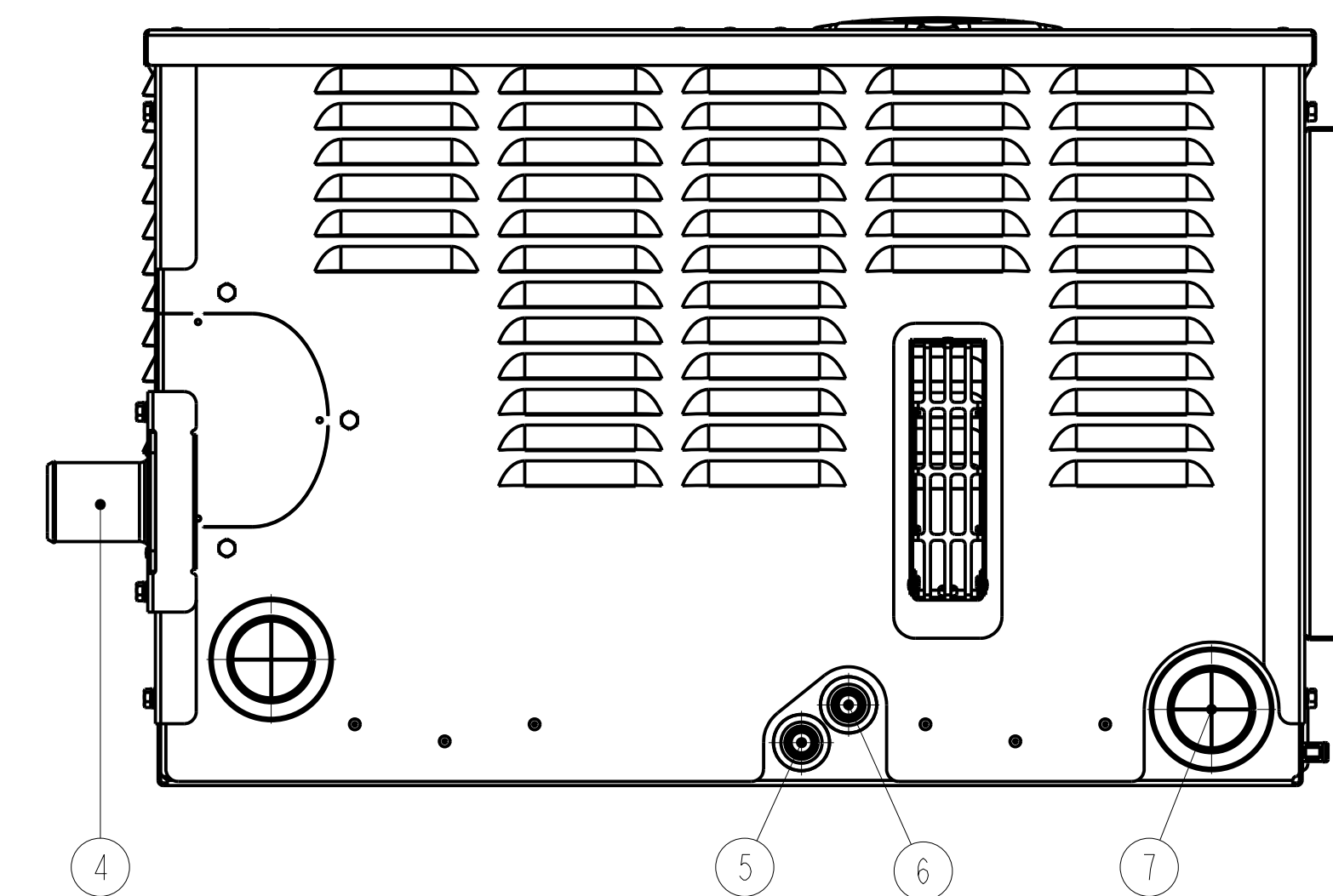
TOP



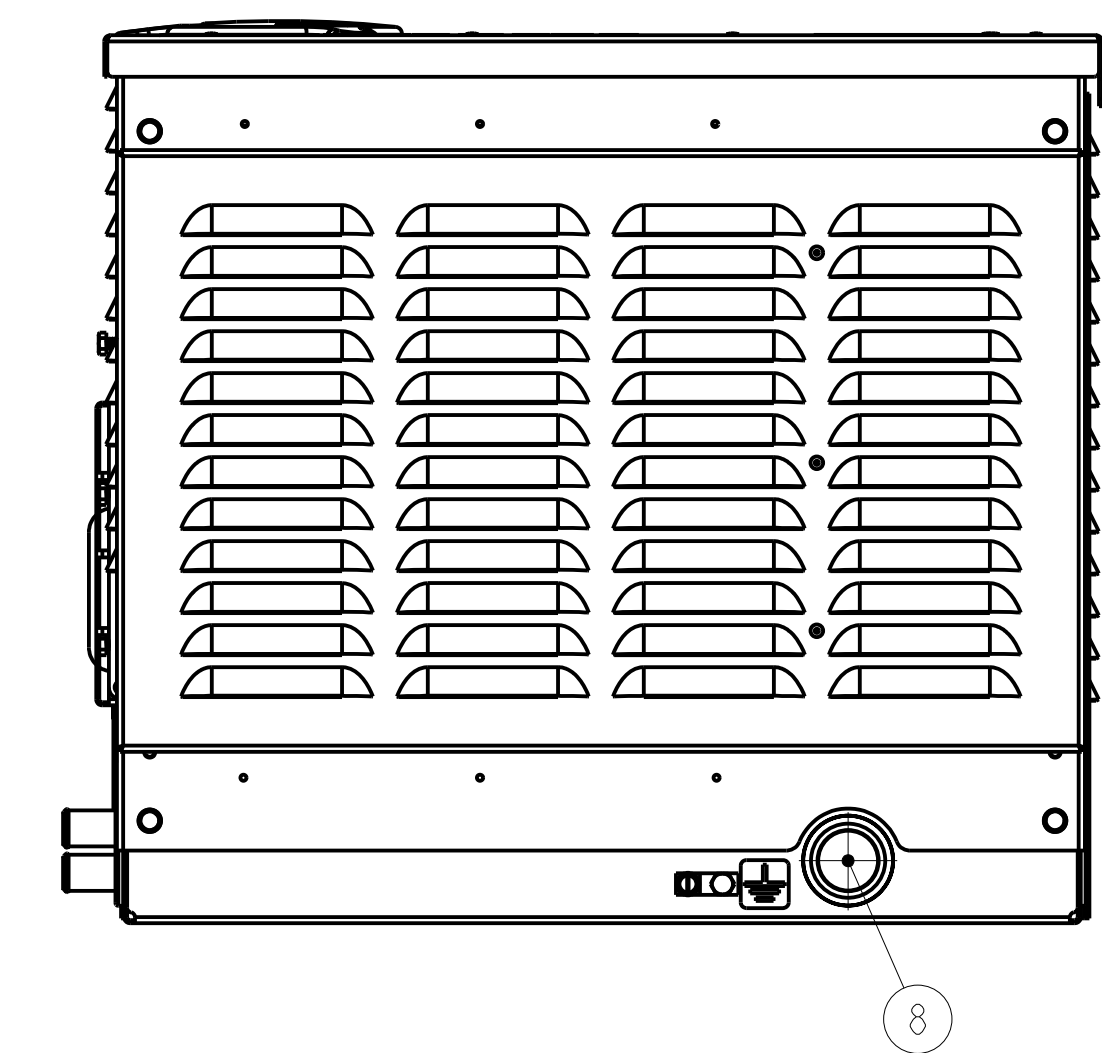
SERVICE SIDE



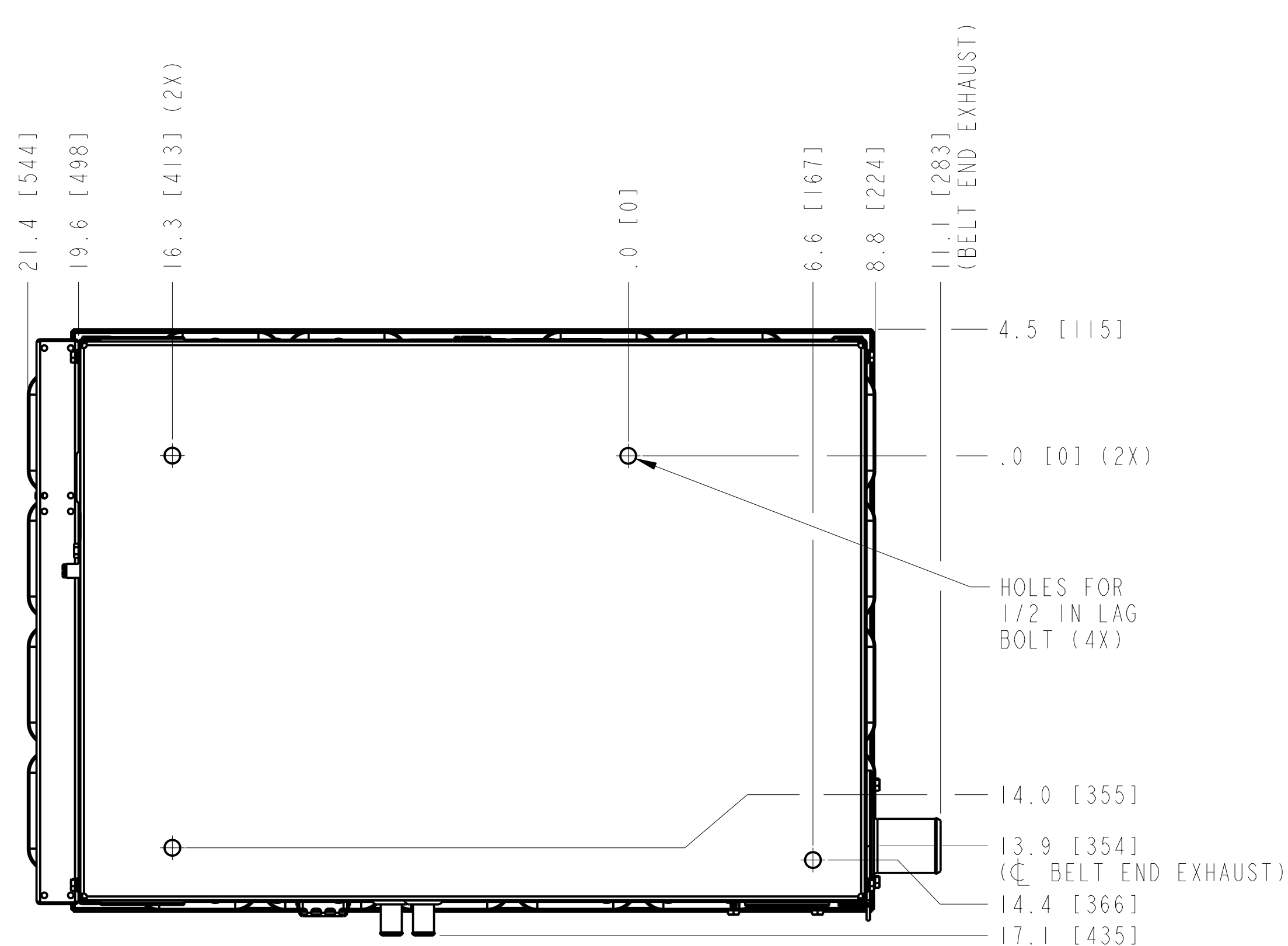
BELT END



NON-SERVICE SIDE



GENERATOR END

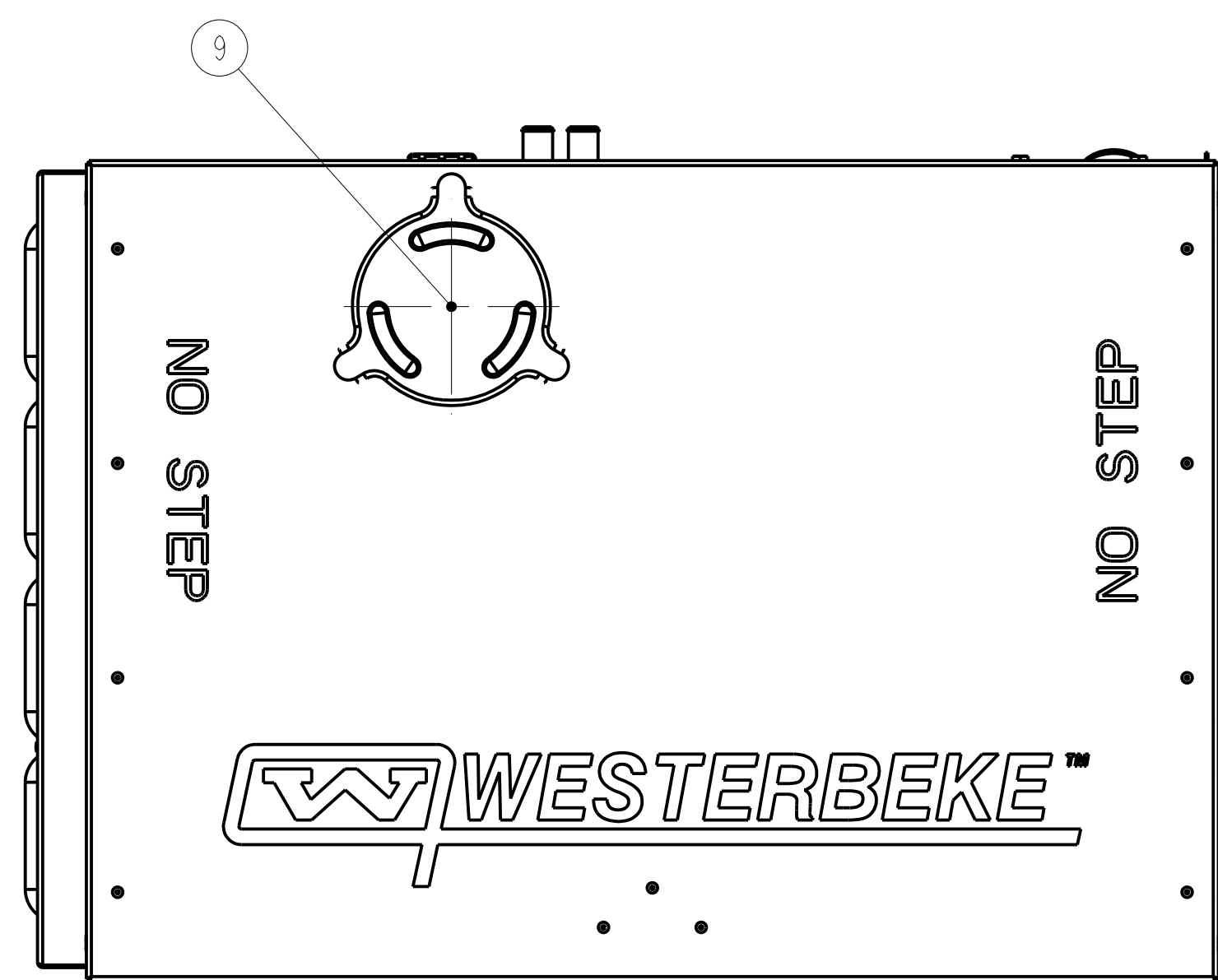


BOTTOM

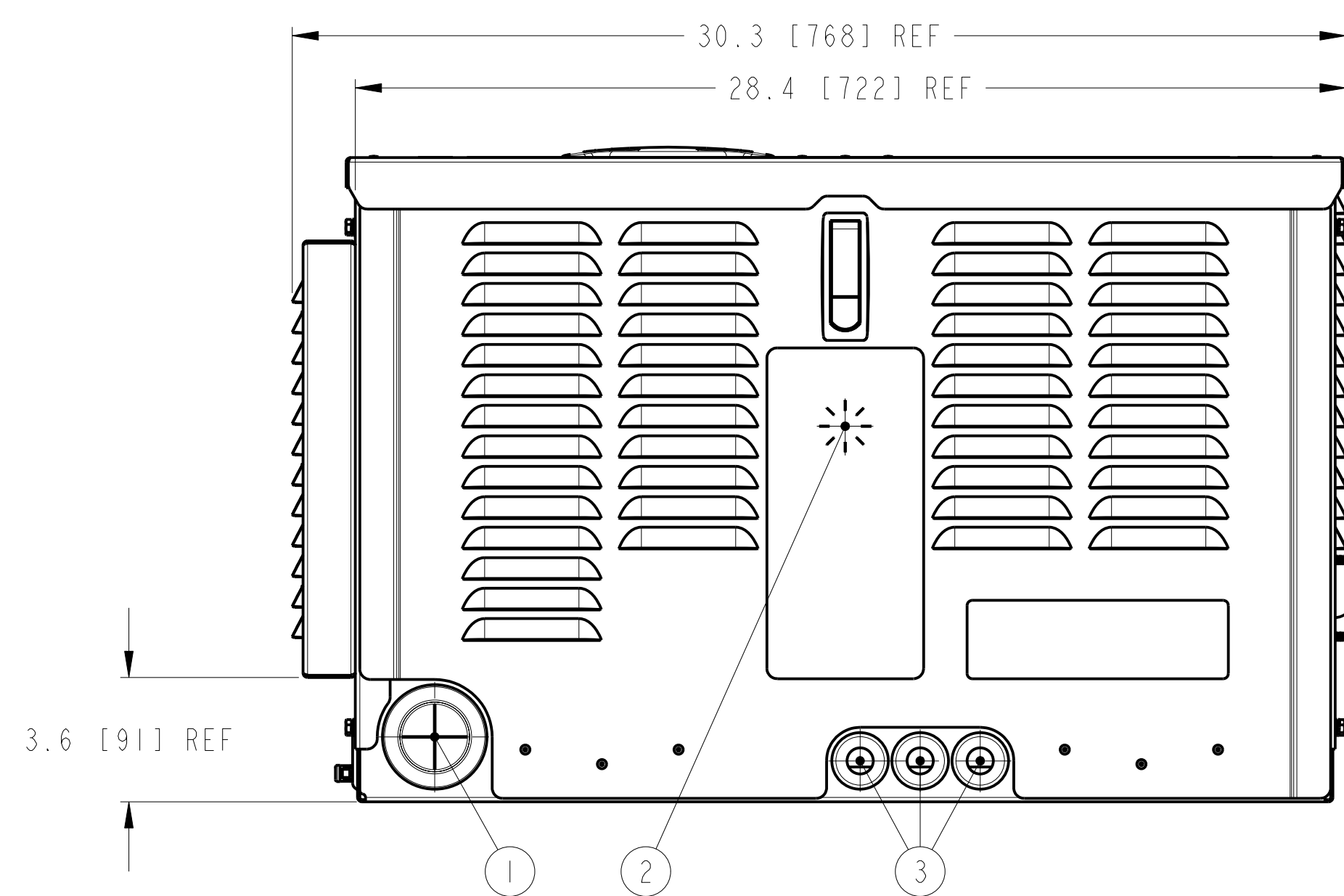
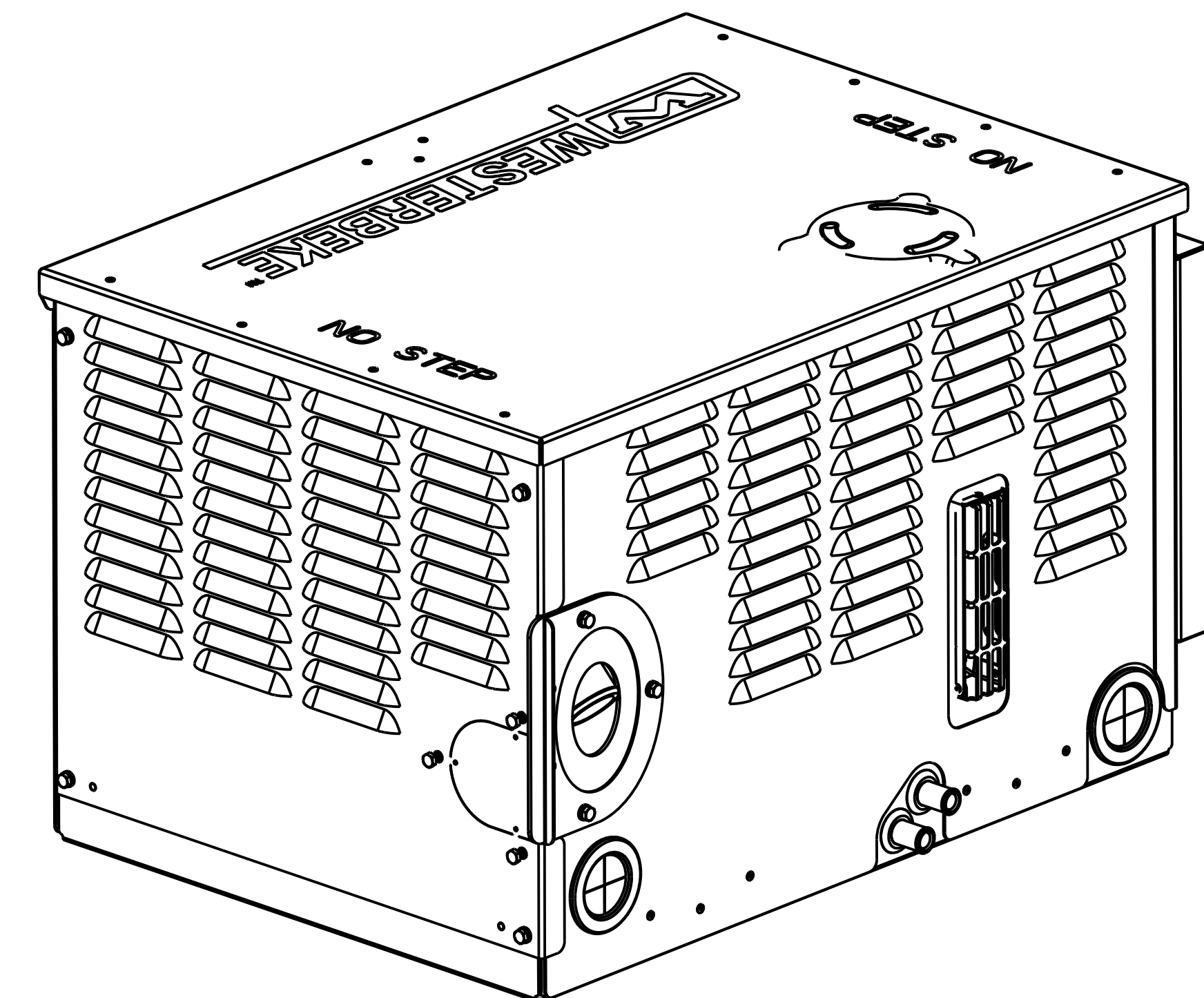
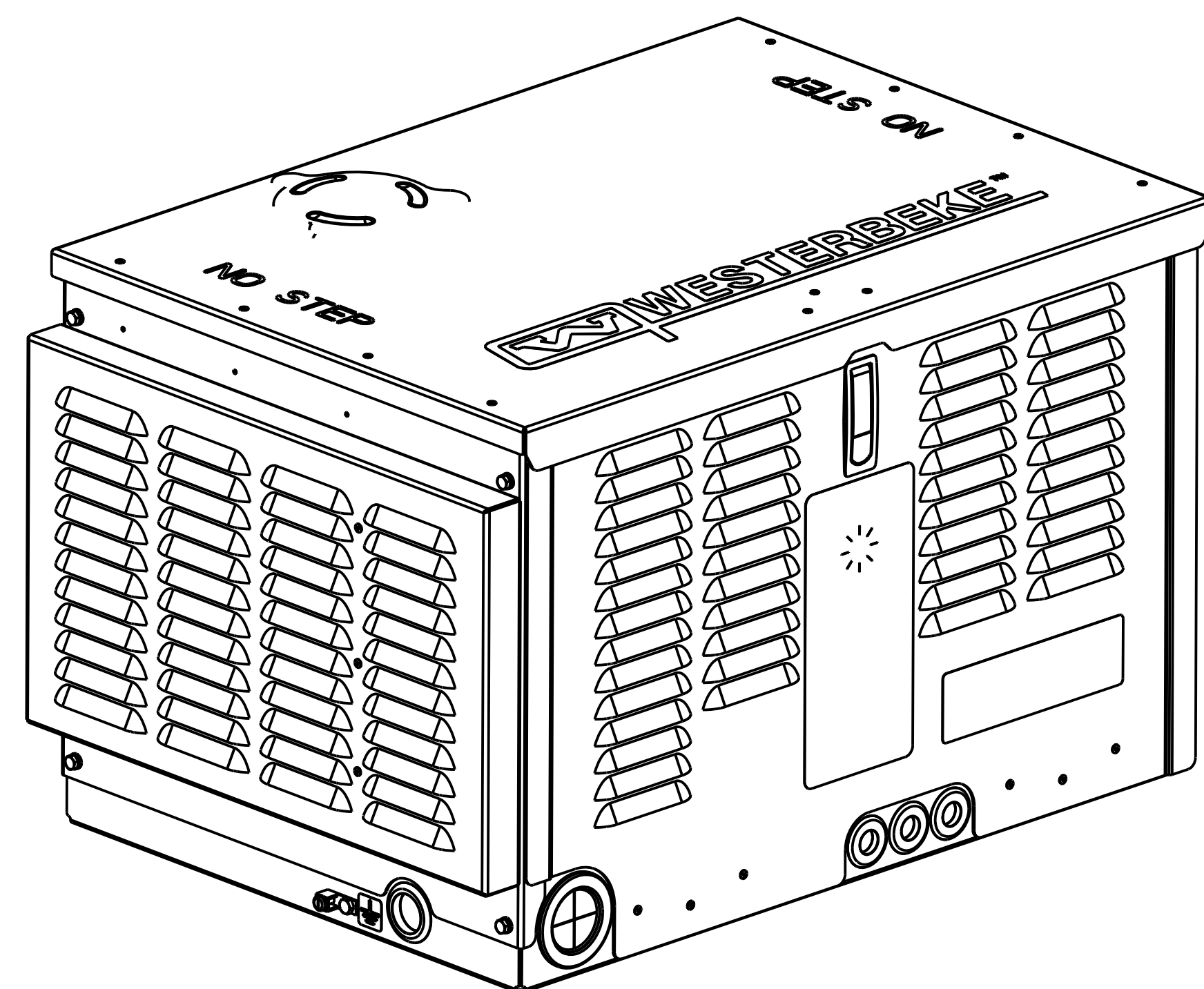
ITEM	CONNECTIONS
1	REMOTE PANEL CABLE PASS-THROUGH FIRE BOY CABLE PASS-THROUGH
2	FIRE EXTINGUISHER PORT
3	BATTERY (NEG) CABLE PASS-THROUGH BATTERY (POS) CABLE PASS-THROUGH FUEL LINE PASS-THROUGH, REQUIRES 1/8-27 NPT MALE TO CONNECT TO GENSET INTERNALLY
4	WET EXHAUST, REQUIRES 2 IN ID HOSE TO CONNECT
5	RAW WATER OUTLET (TO SIPHON BREAK), REQUIRES 3/4 IN ID HOSE TO CONNECT
6	RAW WATER INLET (FROM SIPHON BREAK), REQUIRES 3/4 IN ID HOSE TO CONNECT
7	AC POWER CABLE PASS-THROUGH COOLANT OVERFLOW PASS-THROUGH, REQUIRES 5/16 IN ID HOSE TO CONNECT TO GENSET INTERNALLY
8	RAW WATER INLET PASS-THROUGH, REQUIRES 3/4 IN ID HOSE TO CONNECT TO GENSET INTERNALLY
9	ACCESS TO A/C CIRCUIT BREAKER

NOTES (UNLESS OTHERWISE SPECIFIED)  
1. UNIT OF DIMENSIONS: INCH [MM]  
2. TOLERANCE: ±.375 [9.5]

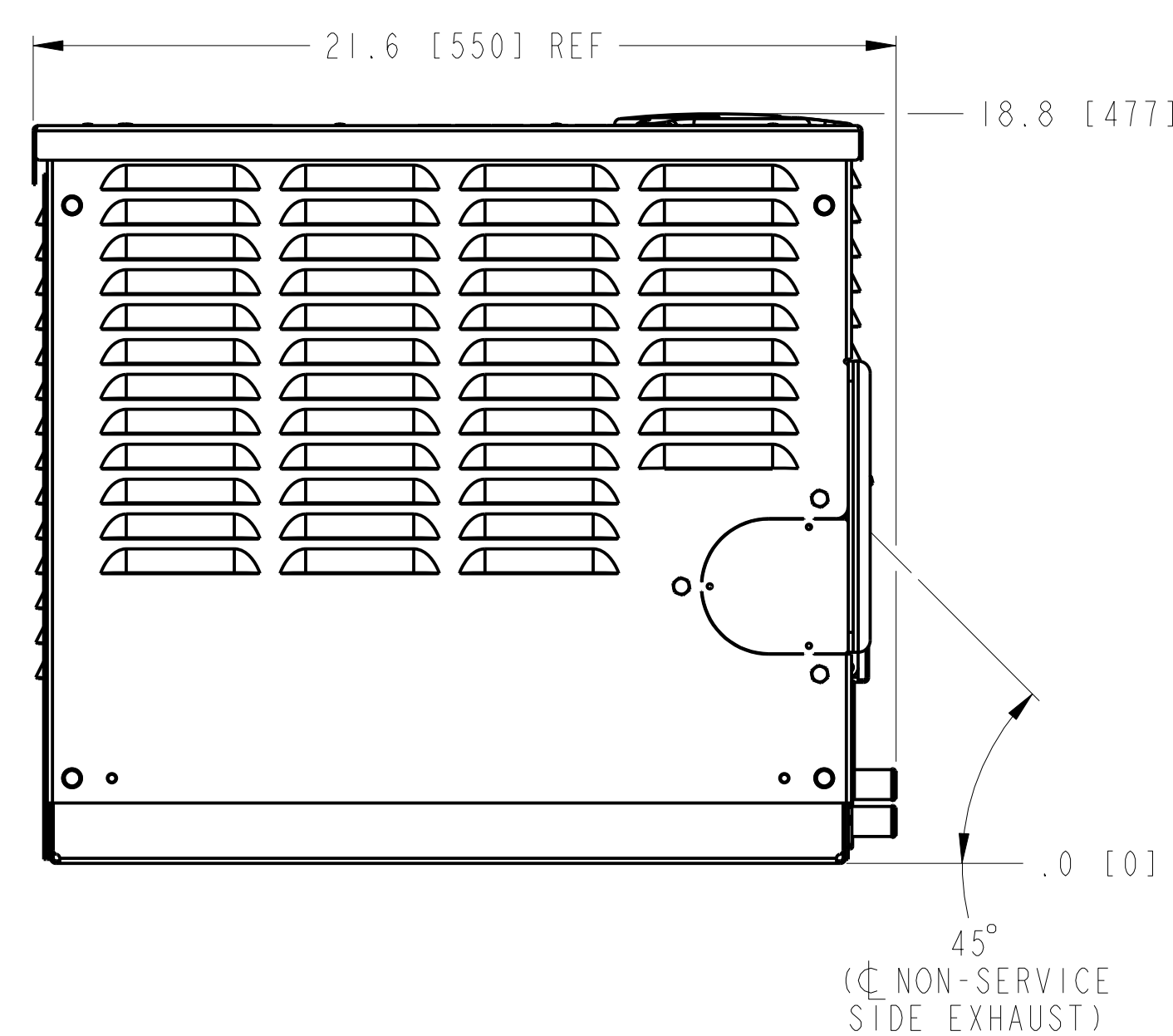
WESTERBEKE CORPORATION TAUNTON, MA 02780			
TITLE DGINSTALL 7.5/6.2 MCGA VENC, BELT END EXHAUST CONNECTION			
DRAWN BY RH	DATE Jun-13-18	MATERIAL:	
APPROVED BY	DATE		
SCALE 1/4	SIZE	DRAWING NUMBER	REV.
SHT. 1 OF 2	E	56879	-



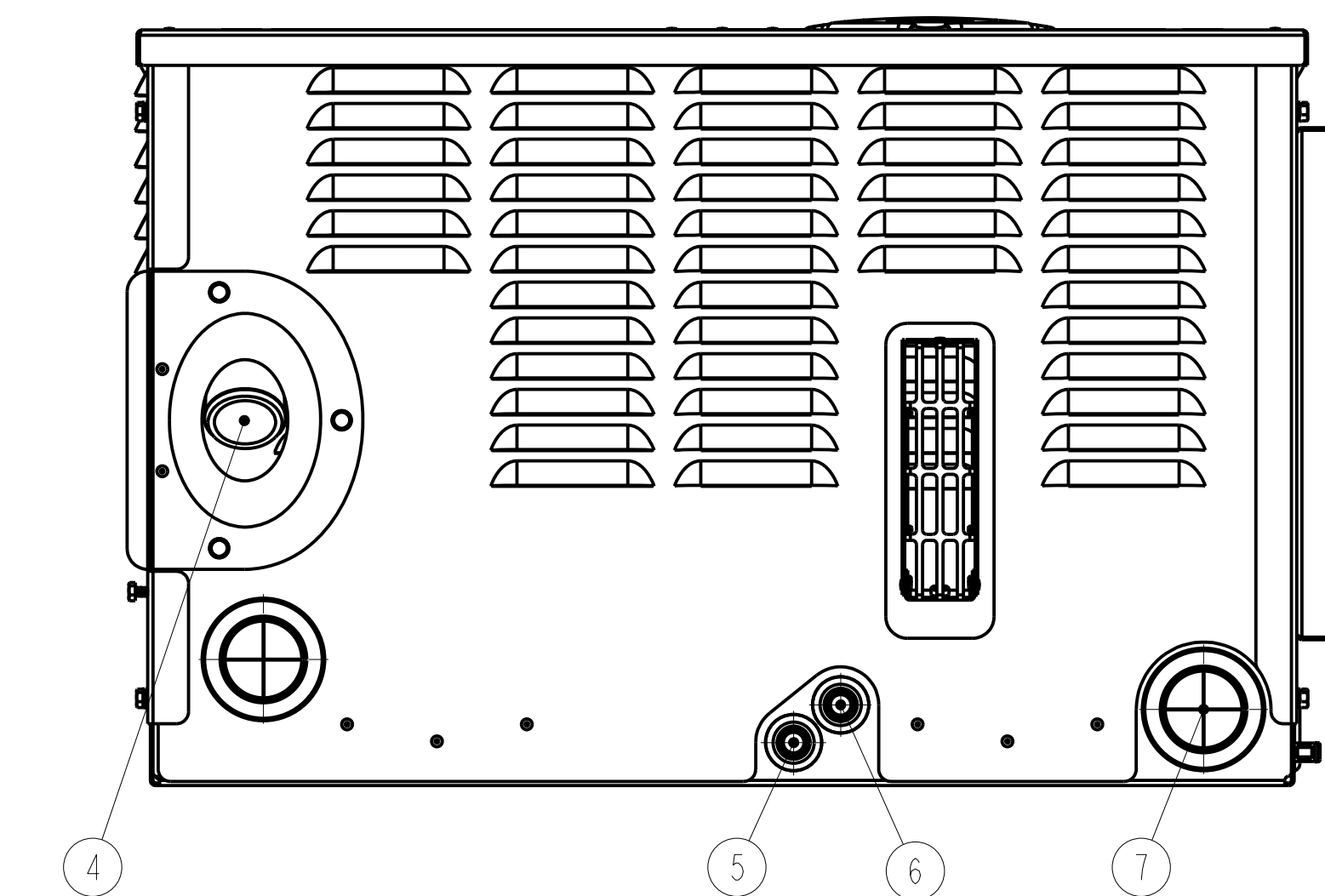
TOP



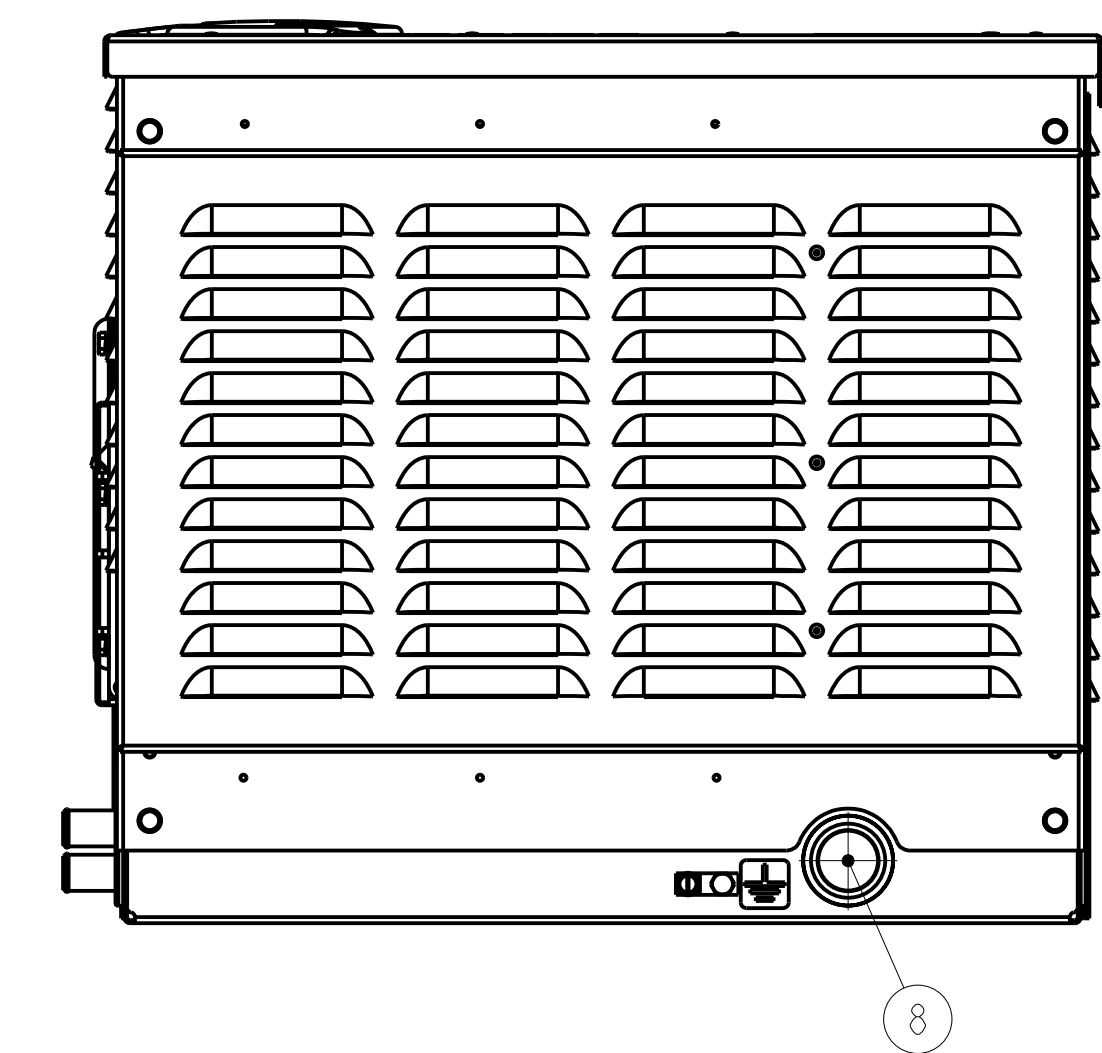
SERVICE SIDE



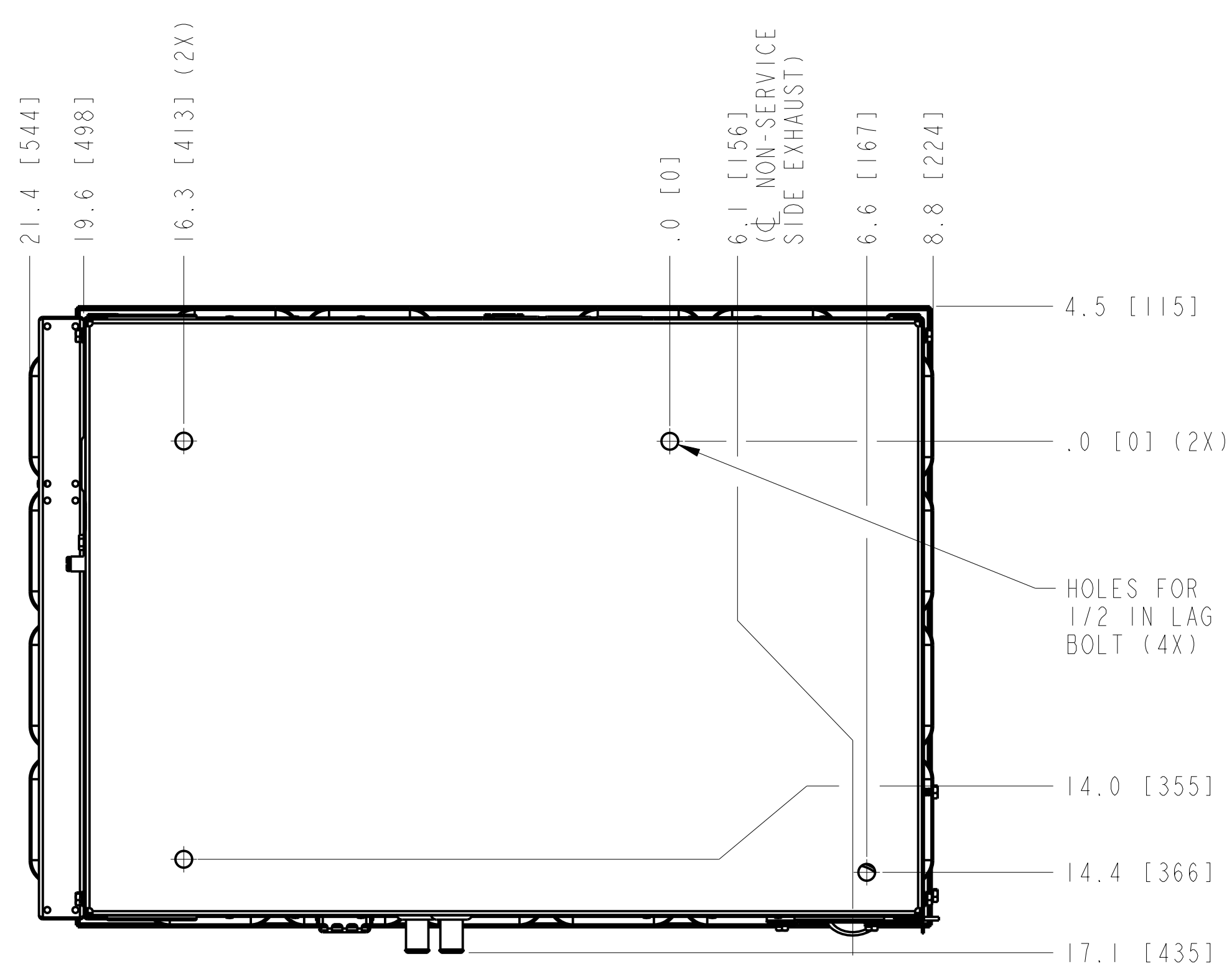
BELT END



NON-SERVICE SIDE



GENERATOR END



BOTTOM

ITEM	CONNECTIONS
1	REMOTE PANEL CABLE PASS-THROUGH FIRE BOY CABLE PASS-THROUGH
2	FIRE EXTINGUISHER PORT
3	BATTERY (NEG) CABLE PASS-THROUGH BATTERY (POS) CABLE PASS-THROUGH FUEL LINE PASS-THROUGH, REQUIRES 1/8-27 NPT MALE TO CONNECT TO GENSET INTERNALLY
4	WET EXHAUST, REQUIRES 2 IN ID HOSE TO CONNECT
5	RAW WATER OUTLET (TO SIPHON BREAK), REQUIRES 3/4 IN ID HOSE TO CONNECT
6	RAW WATER INLET (FROM SIPHON BREAK), REQUIRES 3/4 IN ID HOSE TO CONNECT
7	AC POWER CABLE PASS-THROUGH COOLANT OVERFLOW PASS-THROUGH, REQUIRES 5/16 IN ID HOSE TO CONNECT TO GENSET INTERNALLY
8	RAW WATER INLET PASS-THROUGH, REQUIRES 3/4 IN ID HOSE TO CONNECT TO GENSET INTERNALLY
9	ACCESS TO A/C CIRCUIT BREAKER

NOTES (UNLESS OTHERWISE SPECIFIED):  
1. UNIT OF DIMENSIONS: INCH [MM]  
2. TOLERANCE: ±.375 [9.5]

WESTERBEKE CORPORATION TAUNTON, MA 02780	
TITLE DGINSTALL 7.5/6.2 MCGA VENC, NON-SERVICE SIDE EXHAUST CONNECTION	
DRAWN BY RH	DATE Jun-13-18
APPROVED BY	DATE
SCALE 1/4	SIZE DRAWING NUMBER
SHT. 2 of 2	REV. E 56879