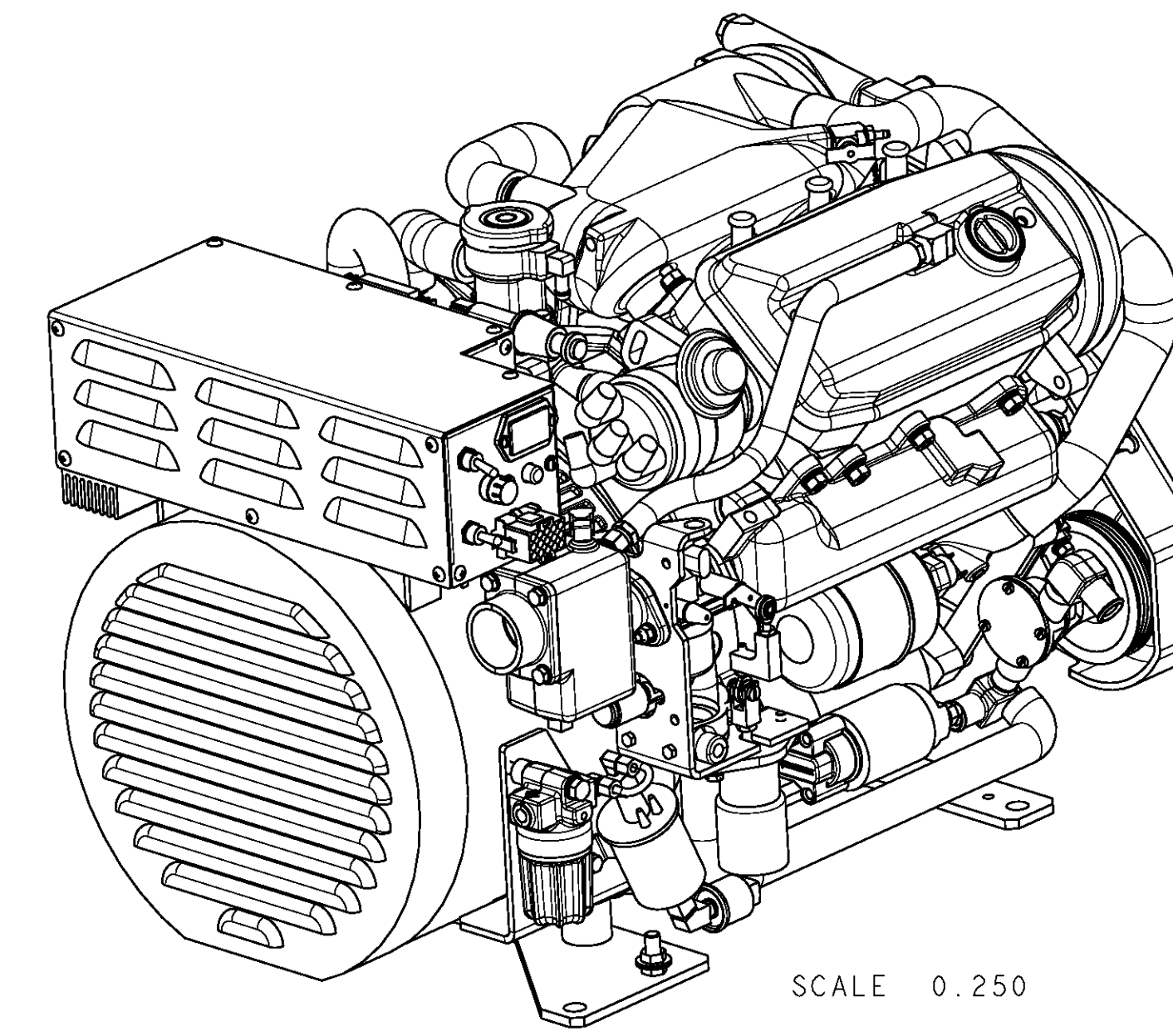
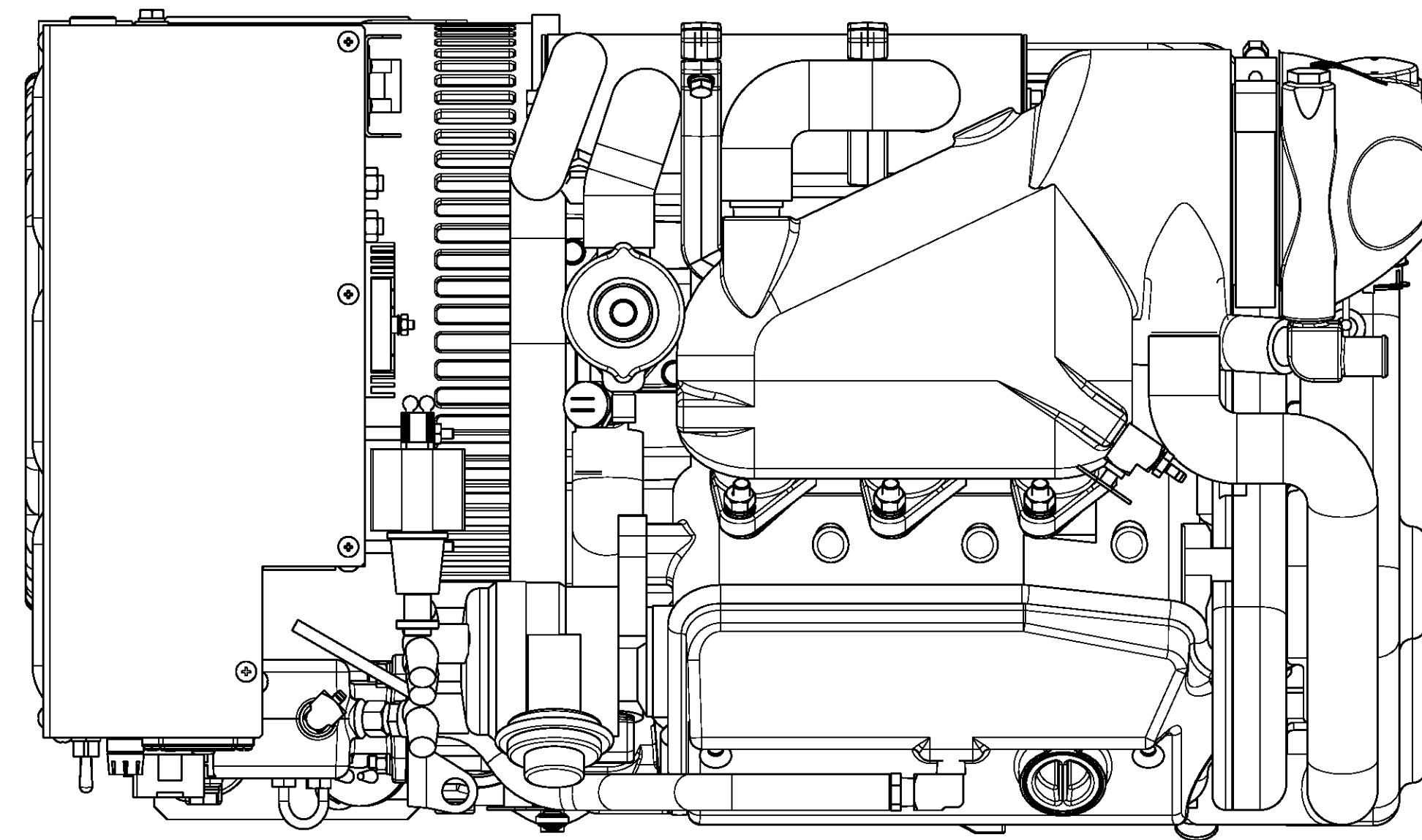
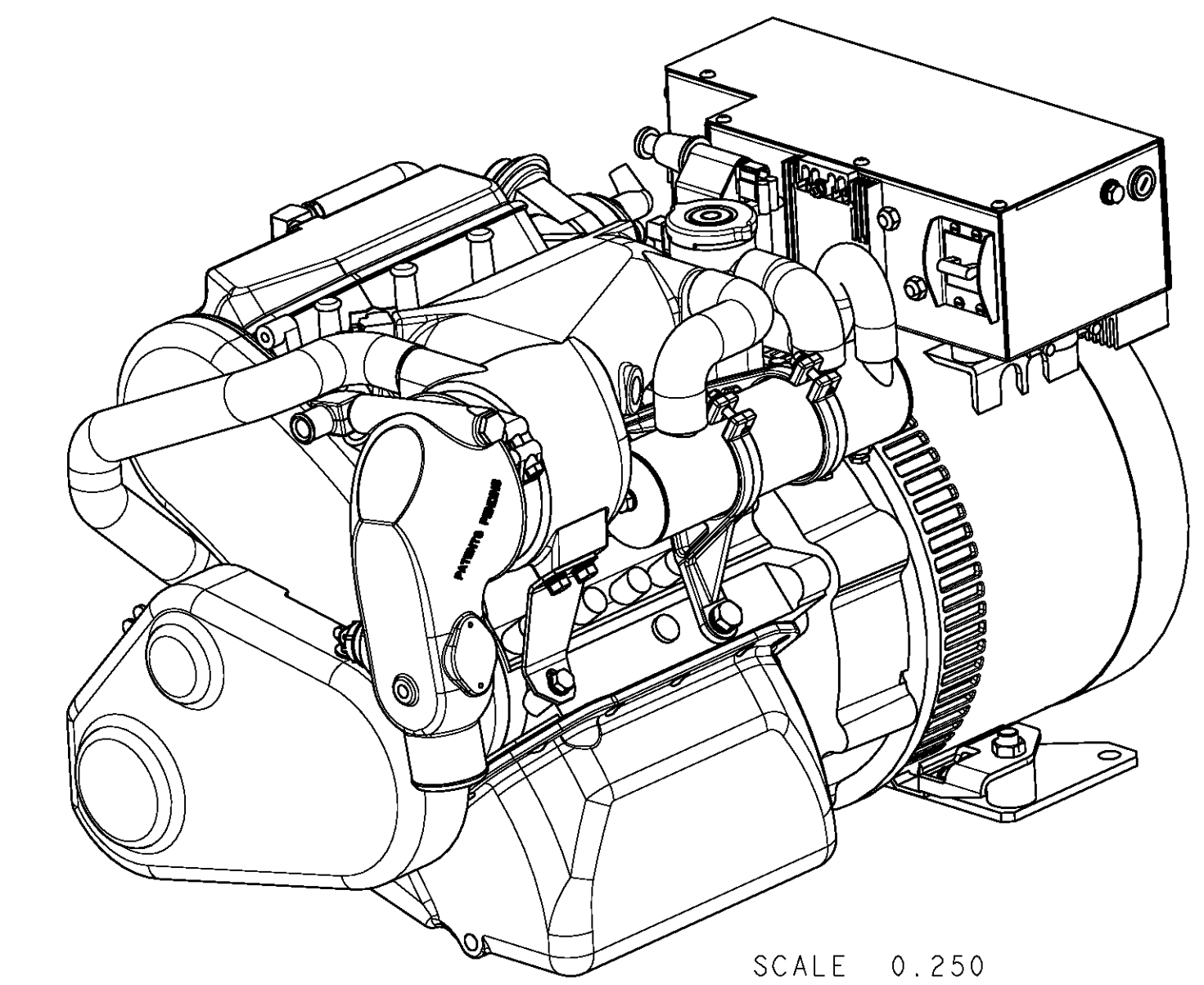


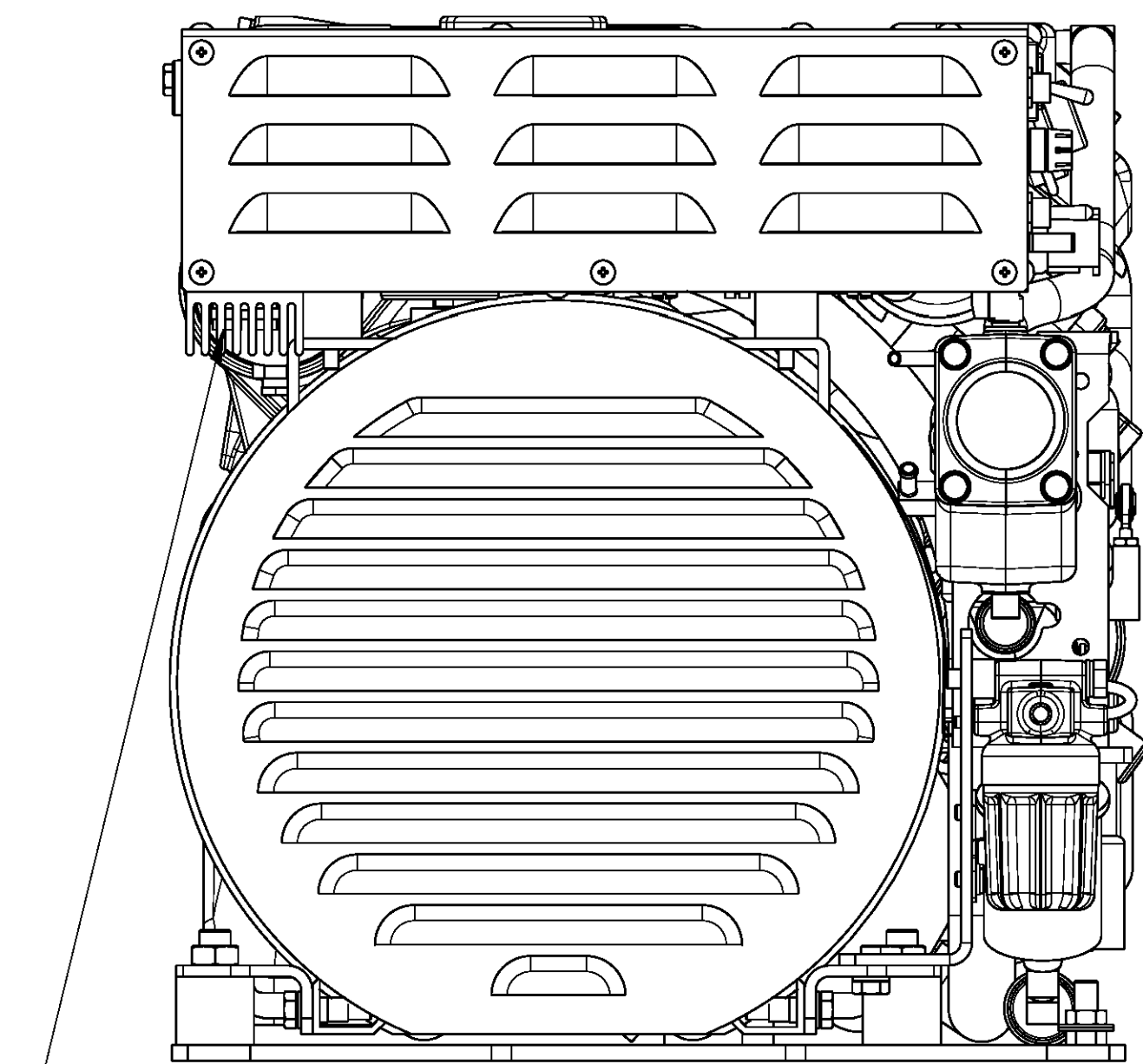
ECO NO.	DATE	REV.	REVISION RECORD	AUTH.	DR. BY
5425	12-72	A	ADDED PART #48076 TO ASSEMBLY		BM
5612	10-20	B	DIPSTICK CHANGED TO 48810;		GA
	03		ADDED 48808 CHOKE LINK GUARD		



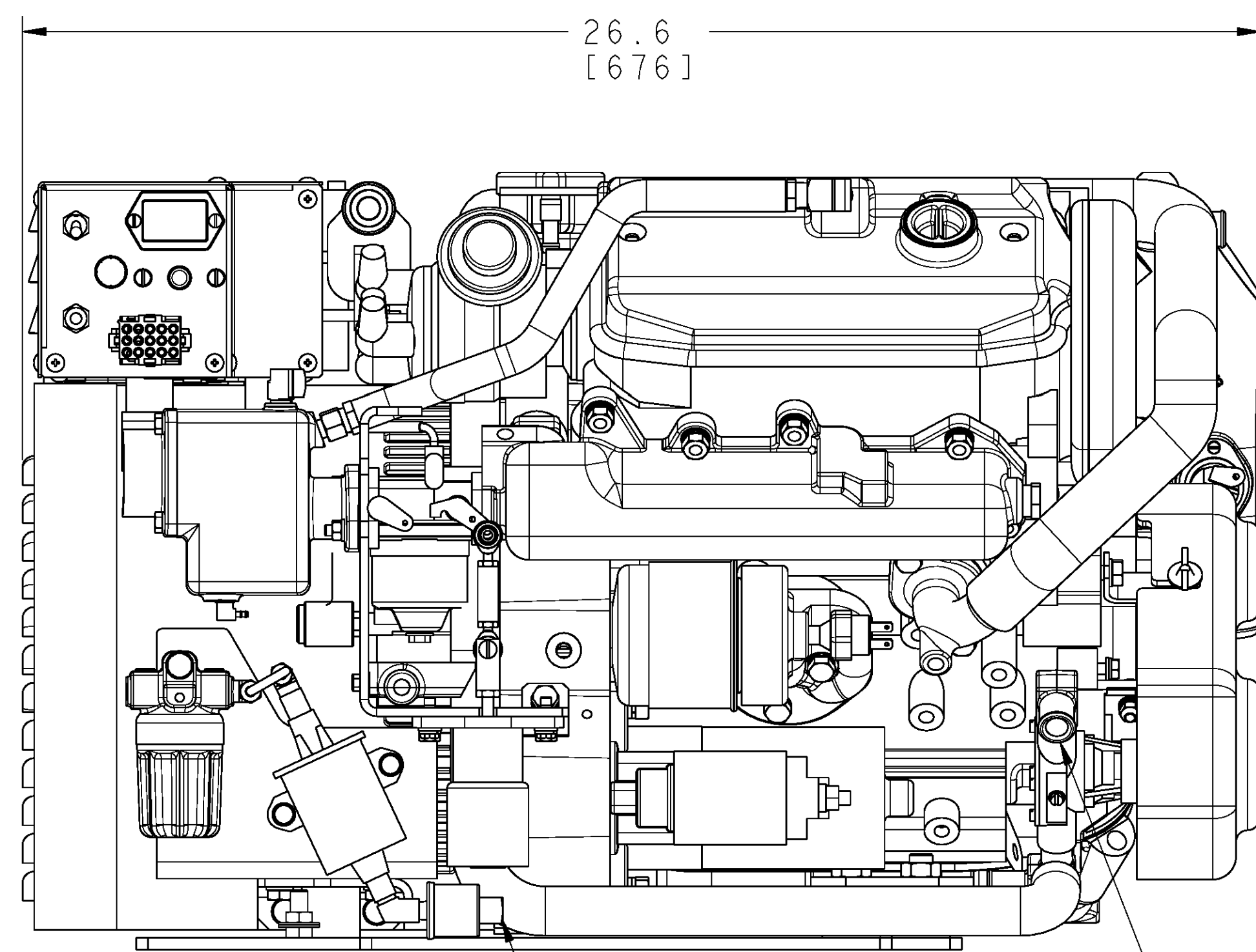
SCALE 0.250



SCALE 0.250



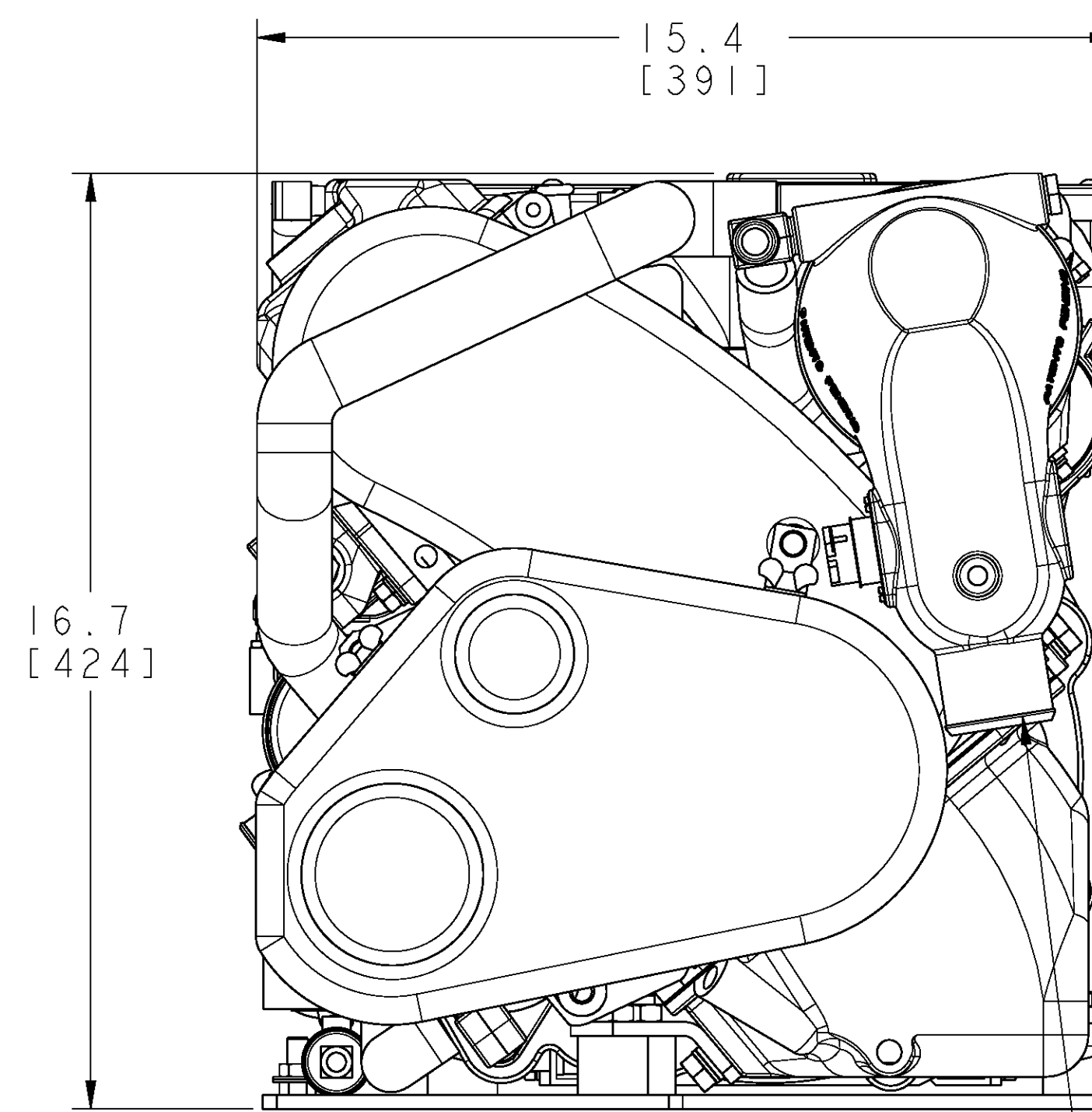
A.C. CONNECTION WIRING
OUTLET



26.6
[676]

CUSTOMER FUEL CONNECTION
1/8-27 NPT FEMALE

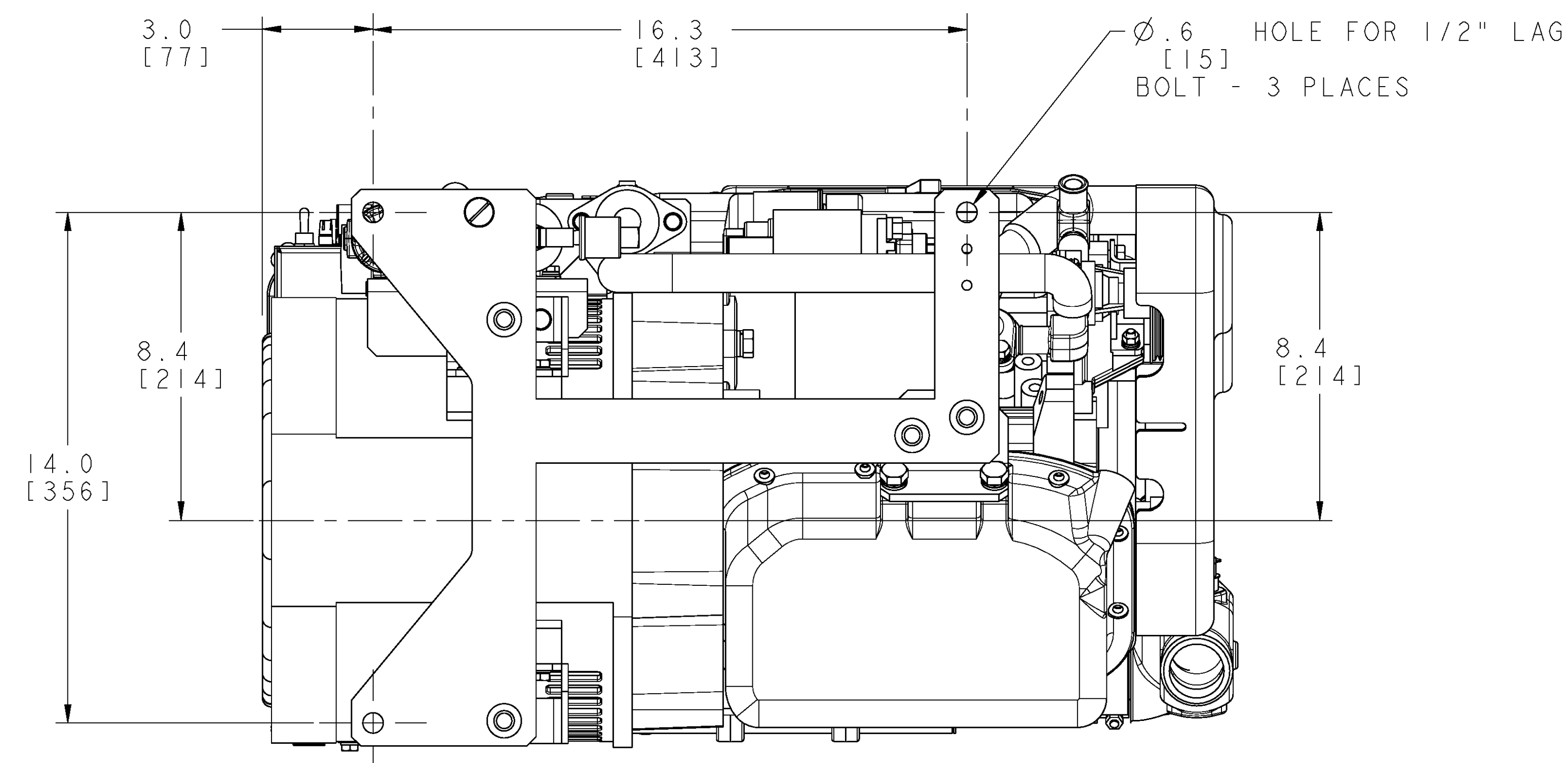
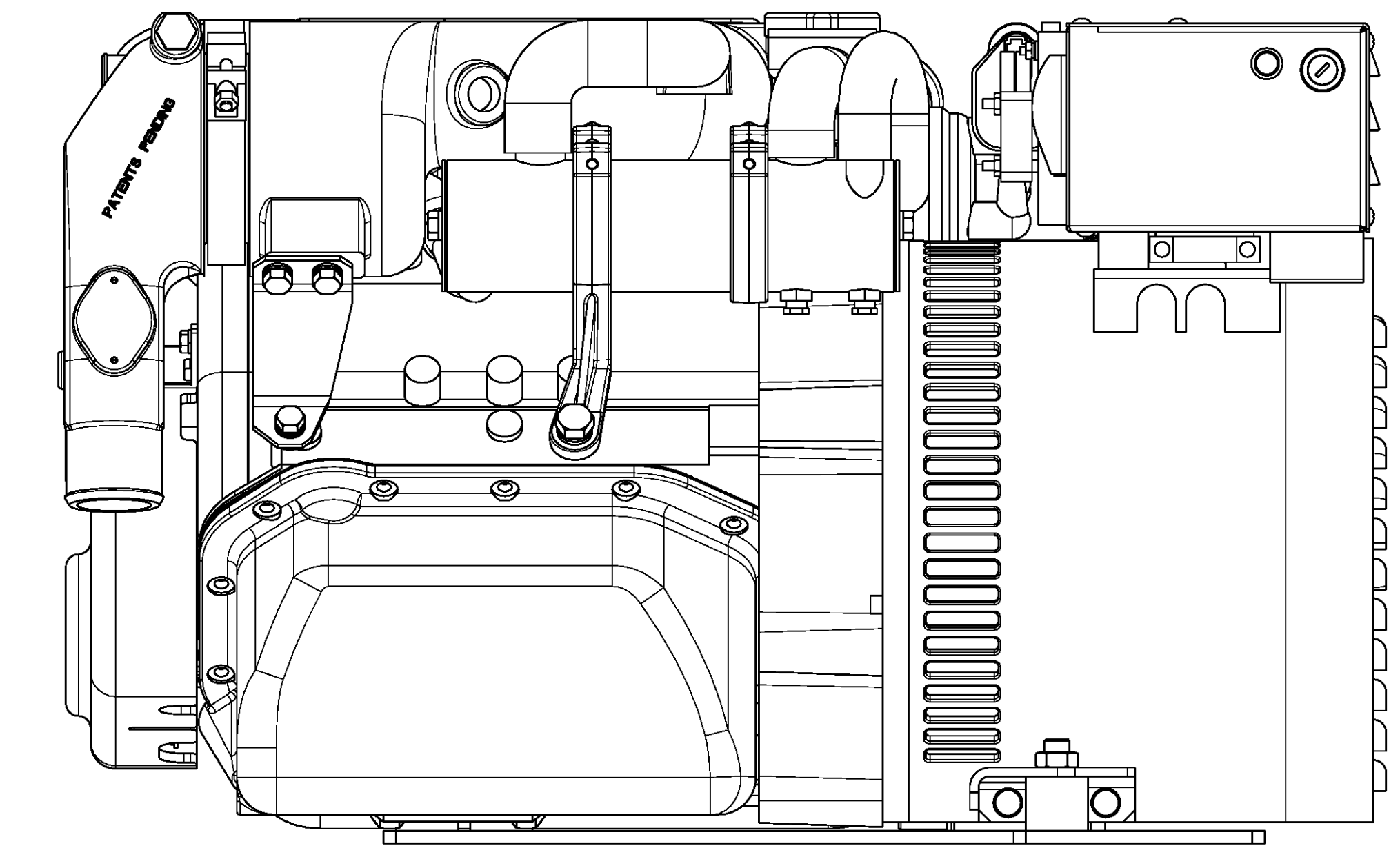
RAW WATER INLET
Ø .75 I.D. HOSE



15.4
[391]

16.7
[424]

EXHAUST OUTLET
Ø 2.00 I.D. HOSE



3.0
[77]

16.3
[413]

Ø .6 HOLE FOR 1/2" LAG
BOLT - 3 PLACES

8.4
[214]

8.4
[214]

14.0
[356]

NUMBERS IN BRACKETS ARE IN MILLIMETERS

TOLERANCES (UNLESS OTHERWISE NOTED)		WESTERBEKE CORPORATION TAUNTON MA. 02780	
INCHES	MILLIMETERS	TITLE	
.XX : .02	X :	INSTALLATION DRAWING	
.XXX : .000	X :	7.0 KW.BCGD GENSET	
CAST : .03	.XX :		
ANGLES : °			
FINISH : Ø			
DIMENSIONS	APPROVED BY	DATE	MATERIAL
INCHES	WRH	17/Dec/01	
MILLIMETERS	DATE		
(WHEN APPLICABLE)	SCALE 0.375	SIZE	DRAWING NUMBER
	SHT. 1 OF 2	E	46982
			REV. B