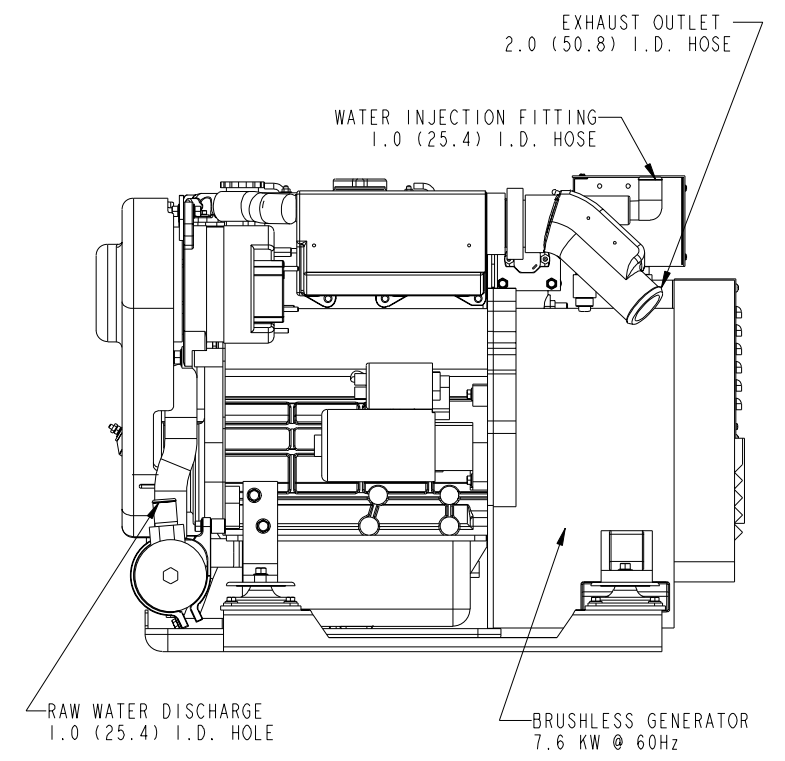
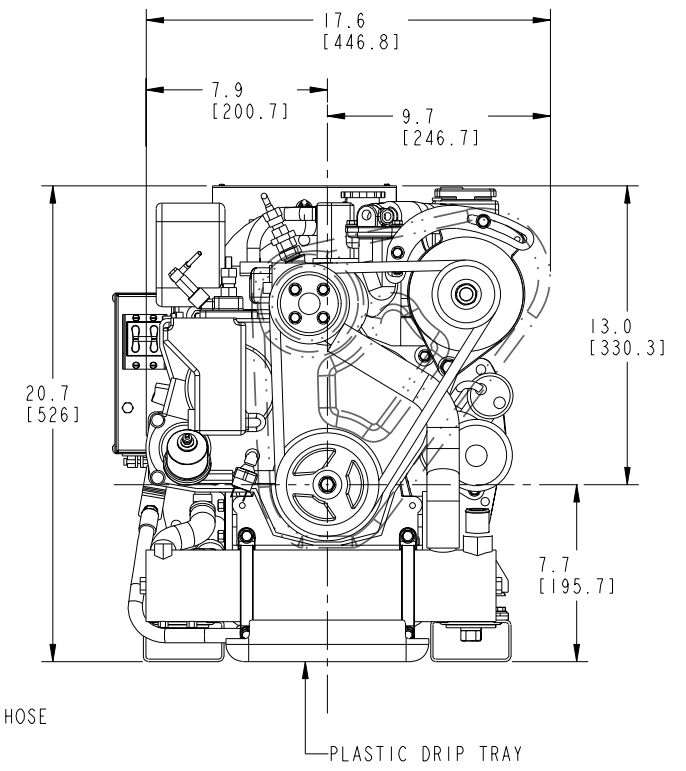
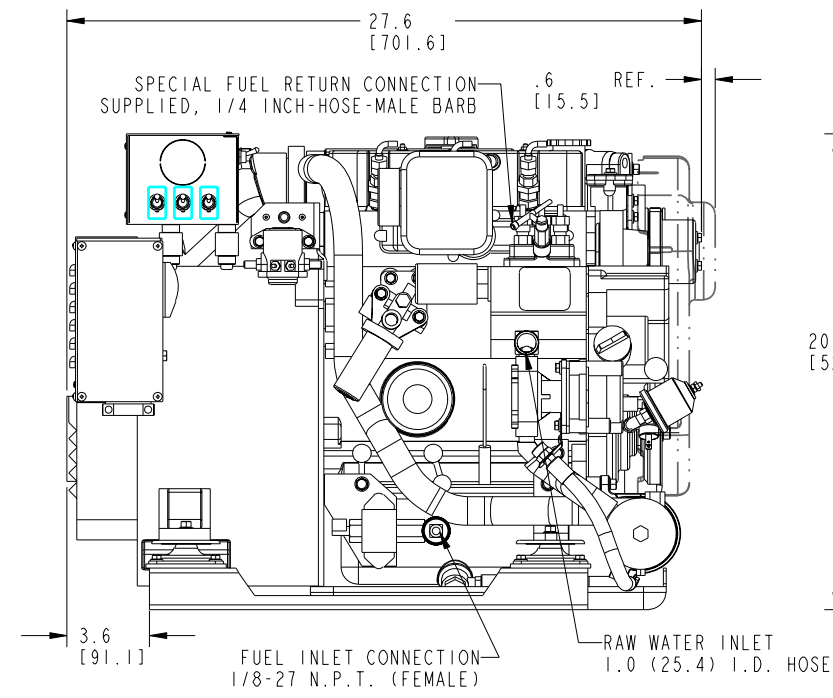
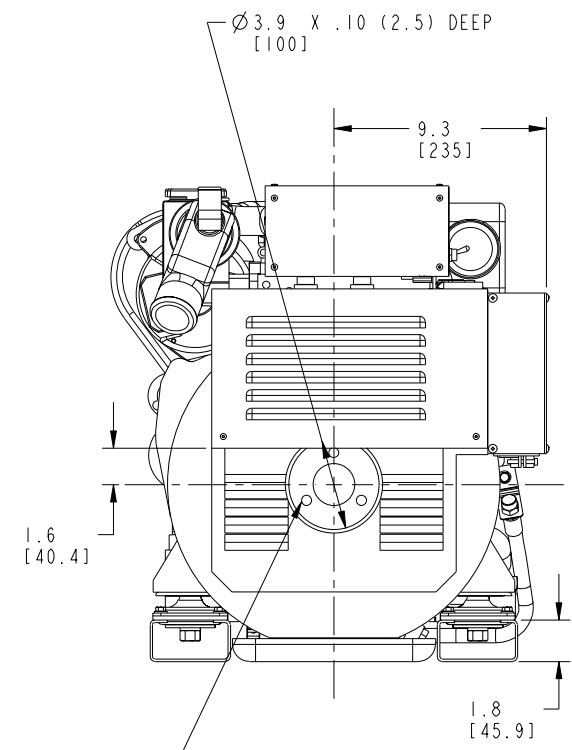
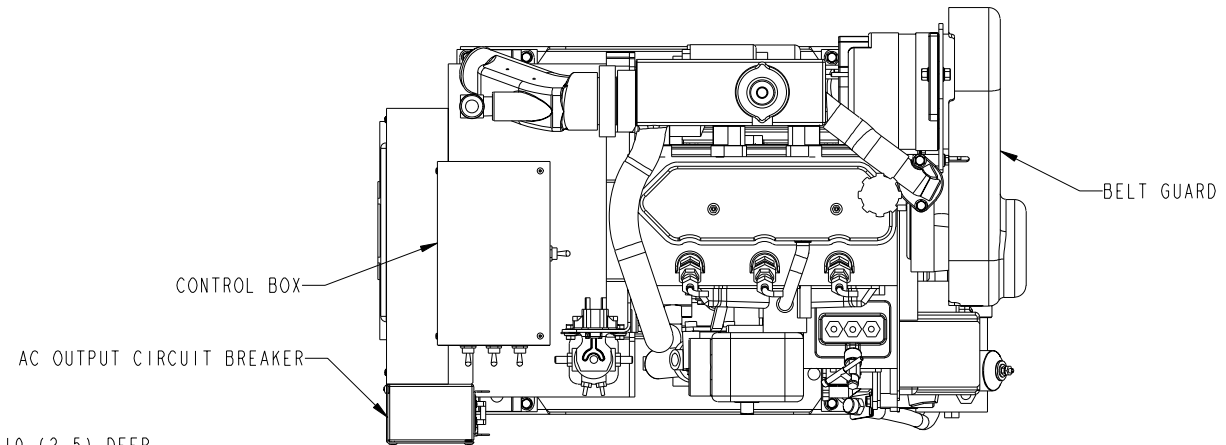
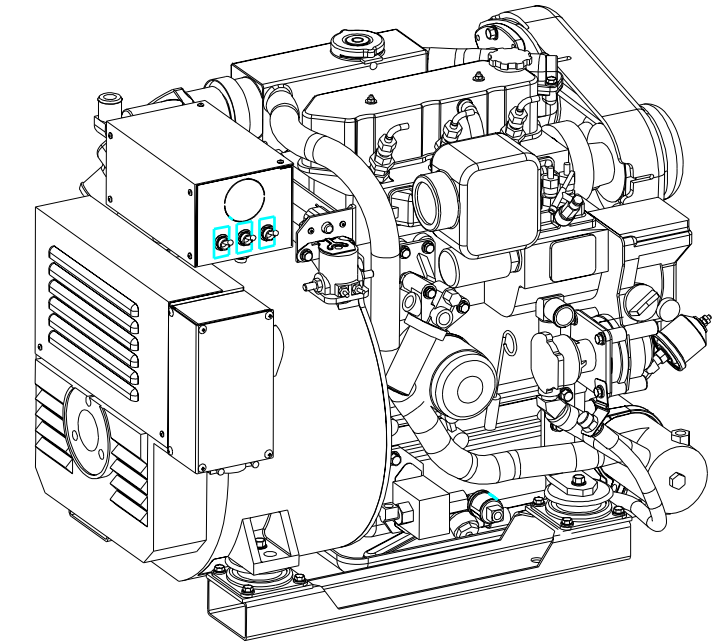
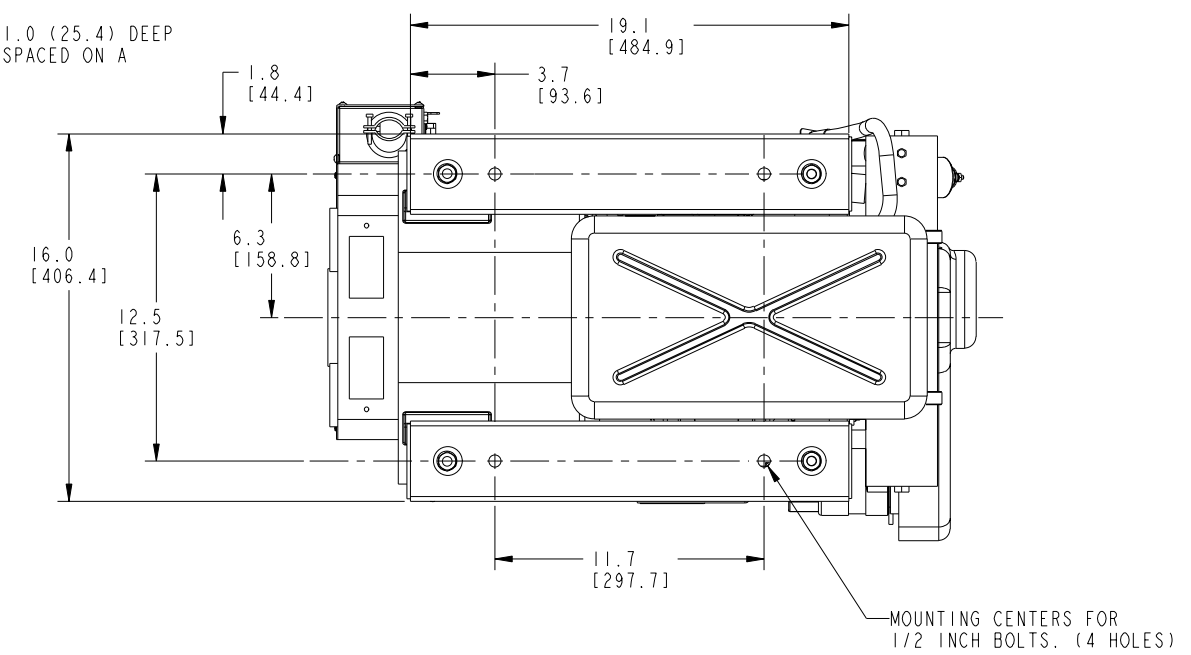


ECO NO.	DATE	REV.	REVISION RECORD	AUTH.	DR. BY
3791	7-8 98	A	REVISED AND REDRAWN		JM
3981	2-9 99	B	RAIL LENGTH 19.1 WAS 27.1 MOUNTING CENTERS CHANGED FROM (8) TO (4)		JM
5343	8-12 02	C	UPDATE ASM TO REFLECT CURRENT BOM		BM
5424	12-12 02	D	ADDED PART #48076 TO ASSEMBLY		BM



M12 x .75 THREAD, 1.0 (25.4) DEEP (3) HOLES EQUALLY SPACED ON A Ø3.34 (85.0) B.C.



TOLERANCES (UNLESS OTHERWISE NOTED)		WESTERBEKE CORPORATION TAUNTON, MA. 02780	
INCHES	MILLIMETERS	TITLE	
.XX ± .02	.X ± 1.0	INSTALLATION DRAWING	
.XXX ± .005	.XX ± .5	7.6 K.W. LTD	
CAST ± .03	.XX ± .13	DRAWN BY	DATE
ANGLES ± .5°		WRM	4/22/94
FINISH		APPROVED BY	DATE
DIMENSIONS		SCALE	SIZE
INCHES		0.250	D
MILLIMETERS			
(WHEN APPLICABLE)		SHT. 1 OF 1	DRAWING NUMBER
			40481
			REV.
			D