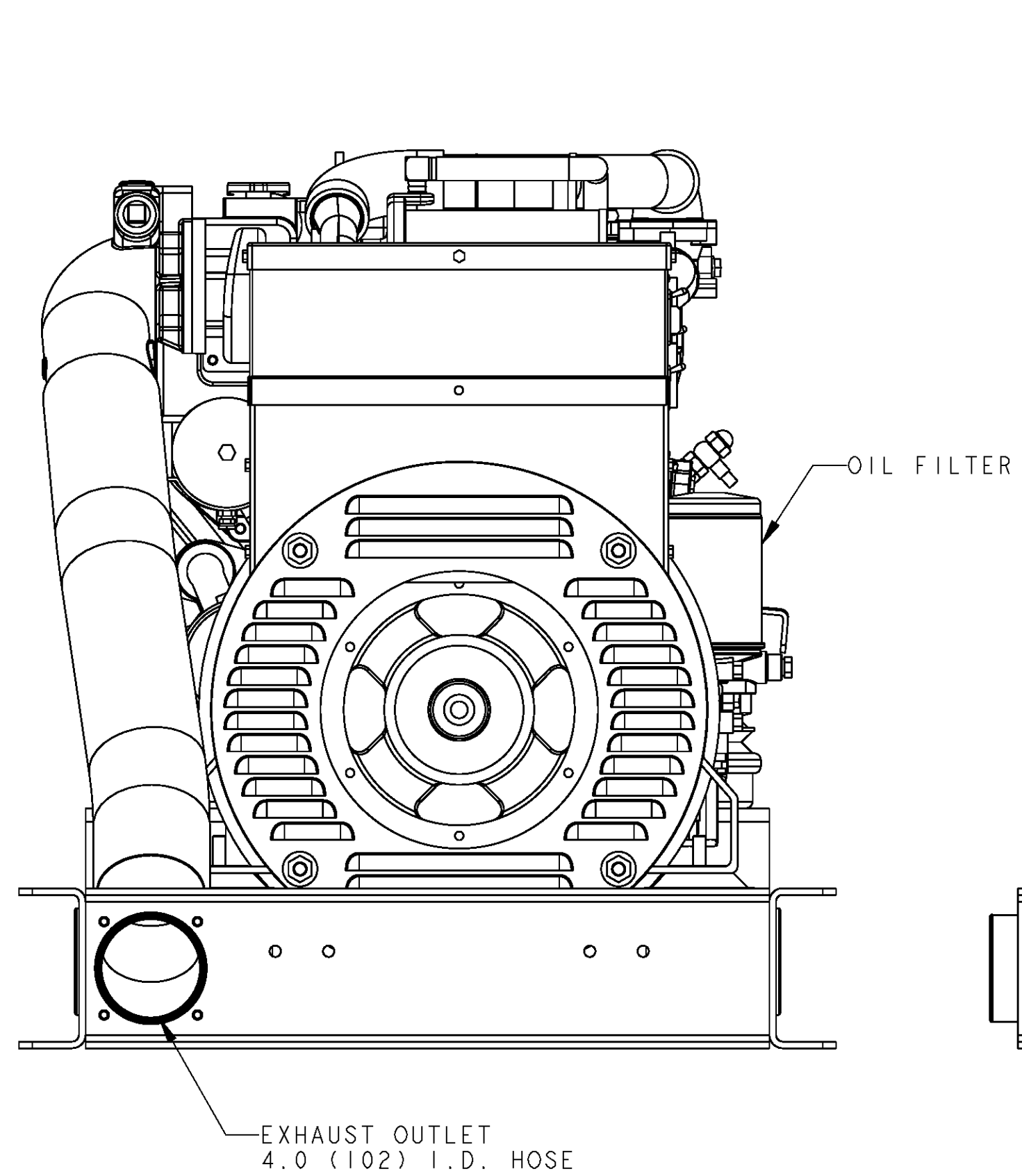
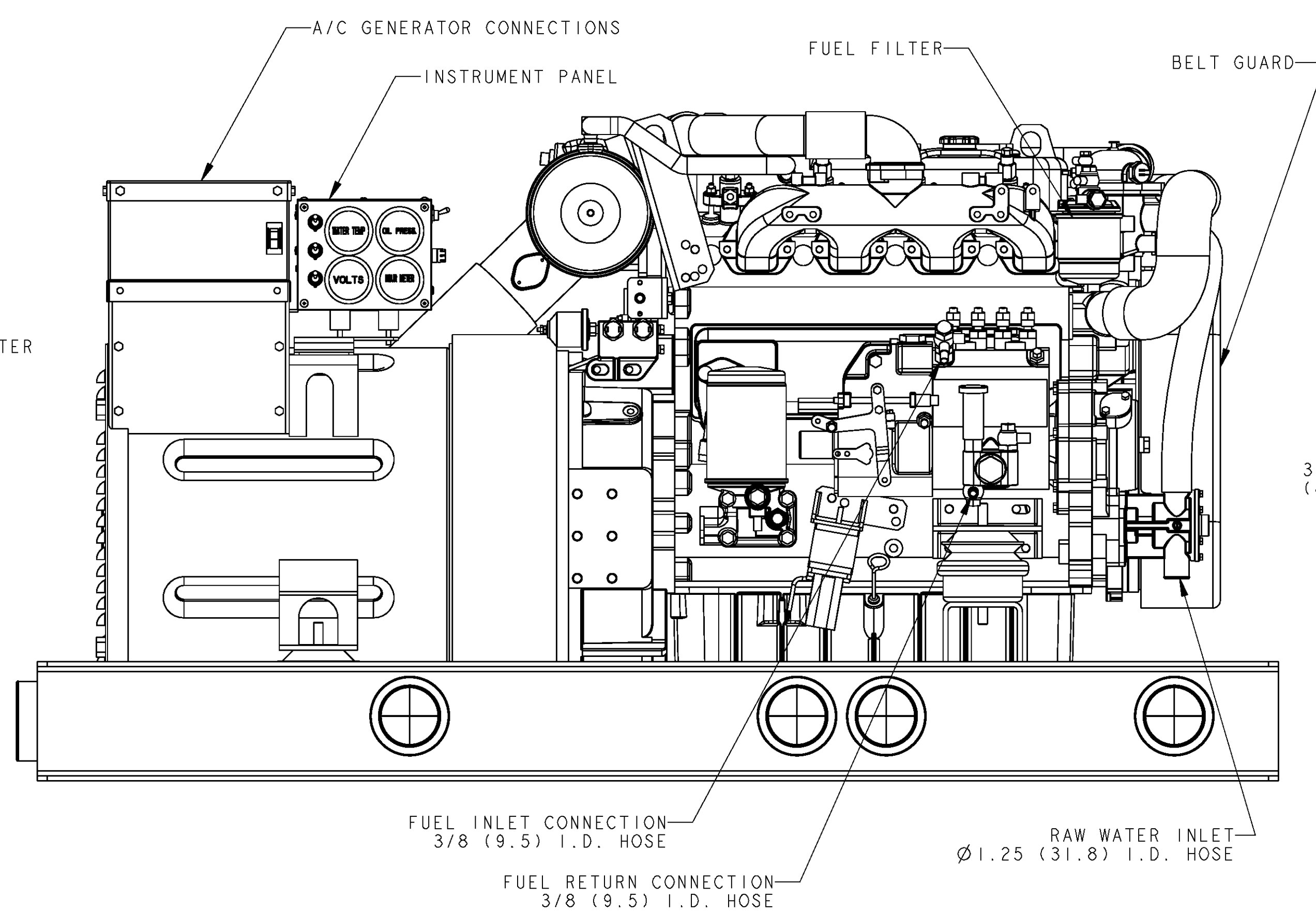


AIR FILTER



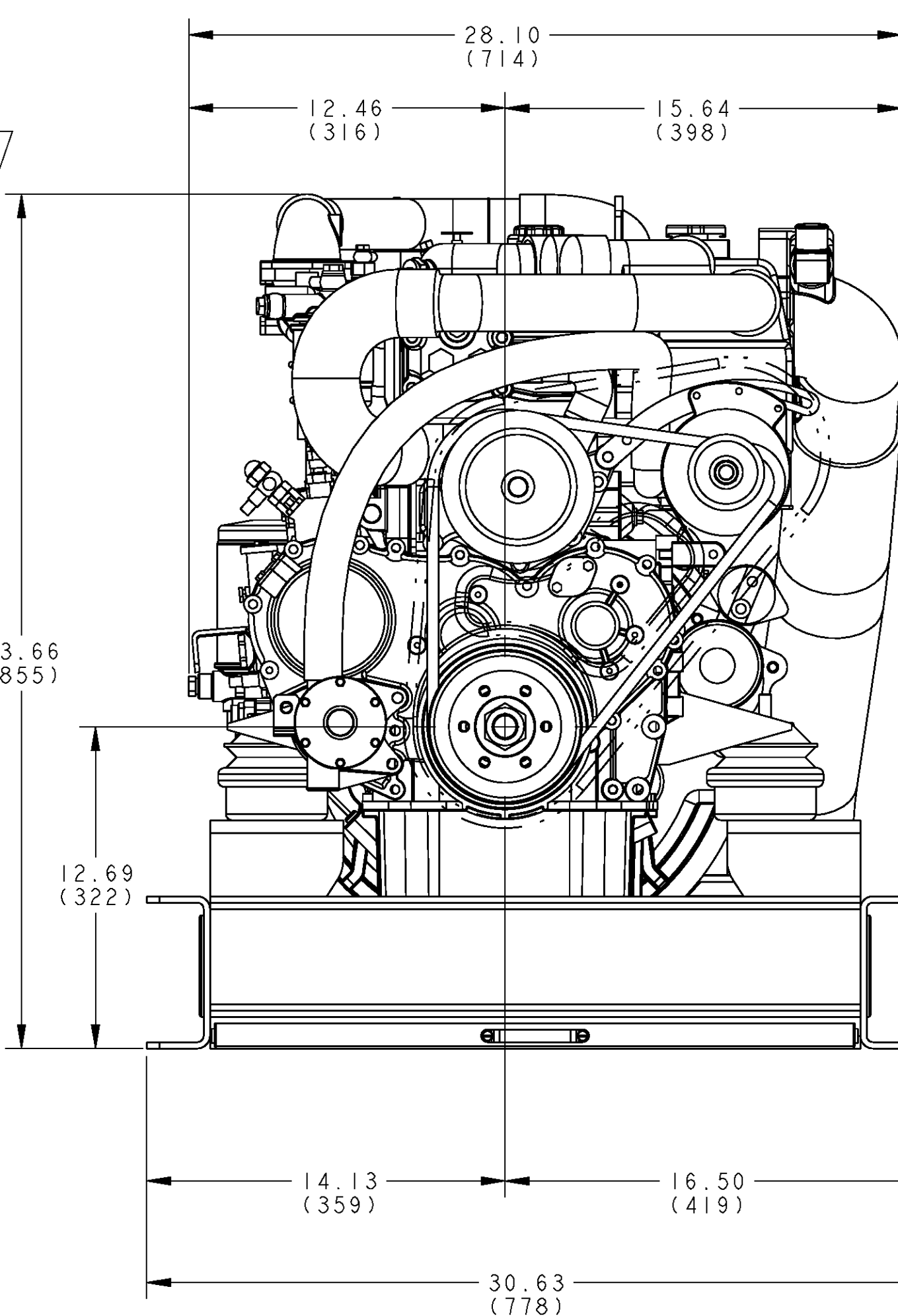
EXHAUST OUTLET
4.0 (102) I.D. HOSE



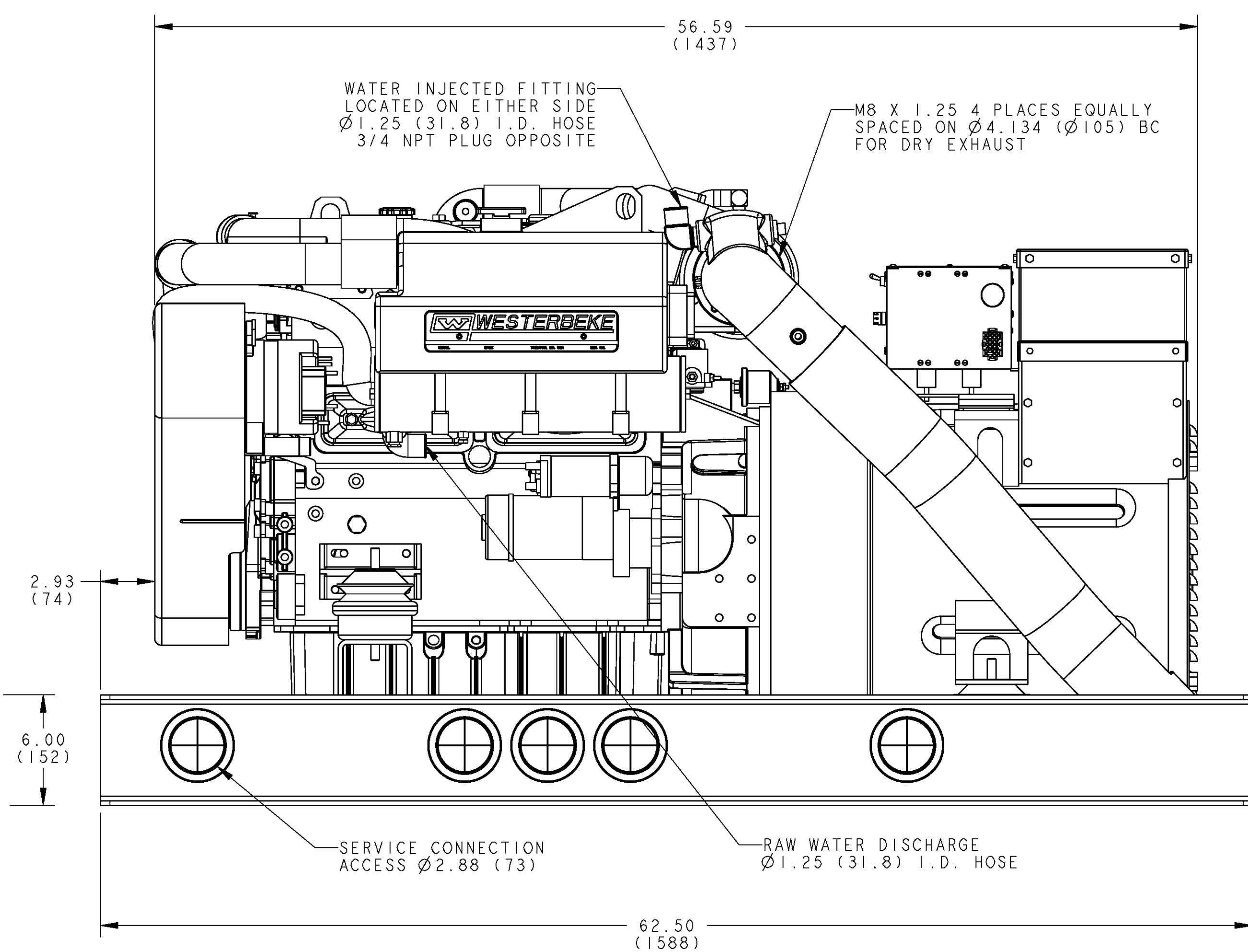
FUEL INLET CONNECTION
3/8 (9.5) I.D. HOSE

RAW WATER INLET
Ø 1.25 (31.8) I.D. HOSE

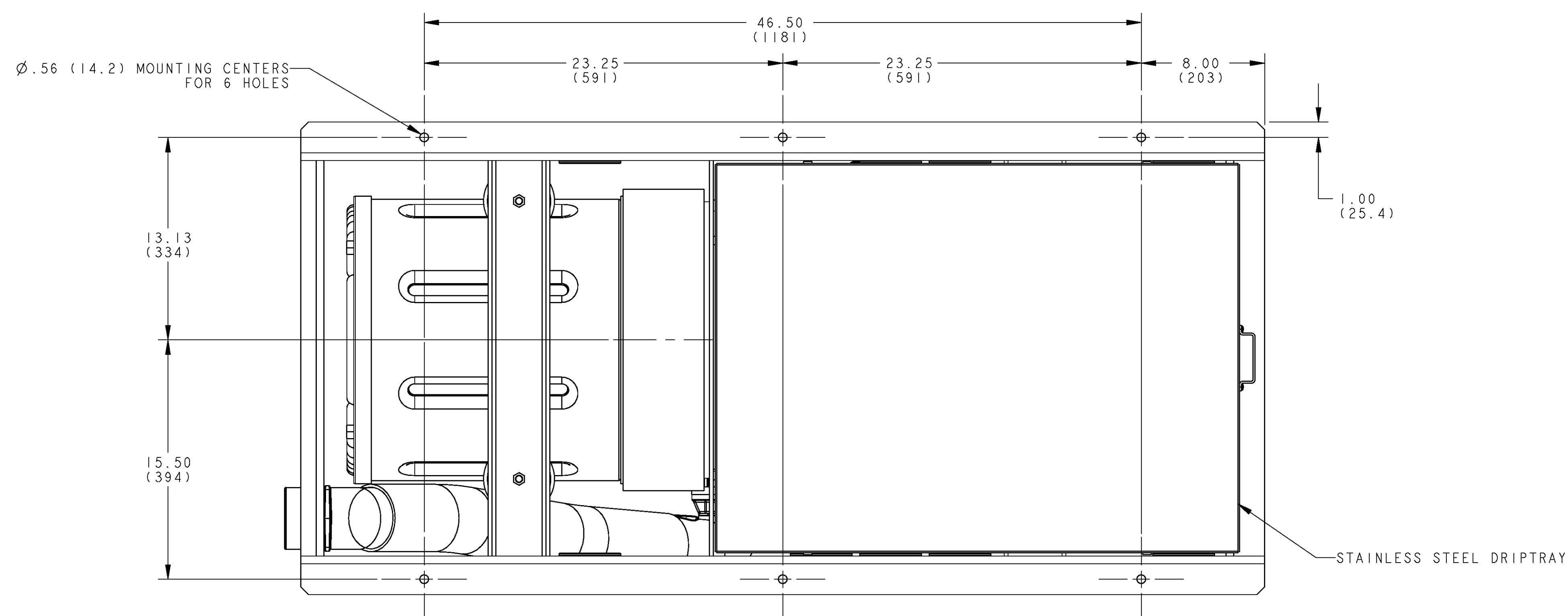
FUEL RETURN CONNECTION
3/8 (9.5) I.D. HOSE



28.10 (714)
12.46 (316) 15.64 (398)
33.66 (855)
12.69 (322)
6.00 (152)
14.13 (359) 16.50 (419)
30.63 (778)



56.59 (1437)
2.93 (74)
62.50 (1588)
WATER INJECTED FITTING LOCATED ON EITHER SIDE Ø 1.25 (31.8) I.D. HOSE 3/4 NPT PLUG OPPOSITE
M8 X 1.25 4 PLACES EQUALLY SPACED ON Ø 4.134 (Ø 105) BC FOR DRY EXHAUST
SERVICE CONNECTION ACCESS Ø 2.88 (73)
RAW WATER DISCHARGE Ø 1.25 (31.8) I.D. HOSE



Ø .56 (14.2) MOUNTING CENTERS FOR 6 HOLES

46.50 (1181)
23.25 (591) 23.25 (591) 8.00 (203)
13.13 (334)
15.50 (394)
1.00 (25.4)
STAINLESS STEEL DRIPTRAY

MODEL WITH 50 AMP ALTERNATOR

TOLERANCES (UNLESS OTHERWISE NOTED)		WESTERBEKE CORPORATION TAUNTON MA. 02780			
INCHES .XX : .02 .XXX : .005 ANGLES : ° FINISH : #	MILLIMETERS X : .XX : X : X :	TITLE INSTALLATION DRAWING 40 BEDA-6112 45-60 BEDA 6312	DATE 21/Dec/2005	MATERIAL	REV.
DIMENSIONS INCHES MILLIMETERS (WHEN APPLICABLE)		APPROVED BY	DATE	SCALE 0.200	SIZE DRAWING NUMBER E 52489
				SCALE	REV.