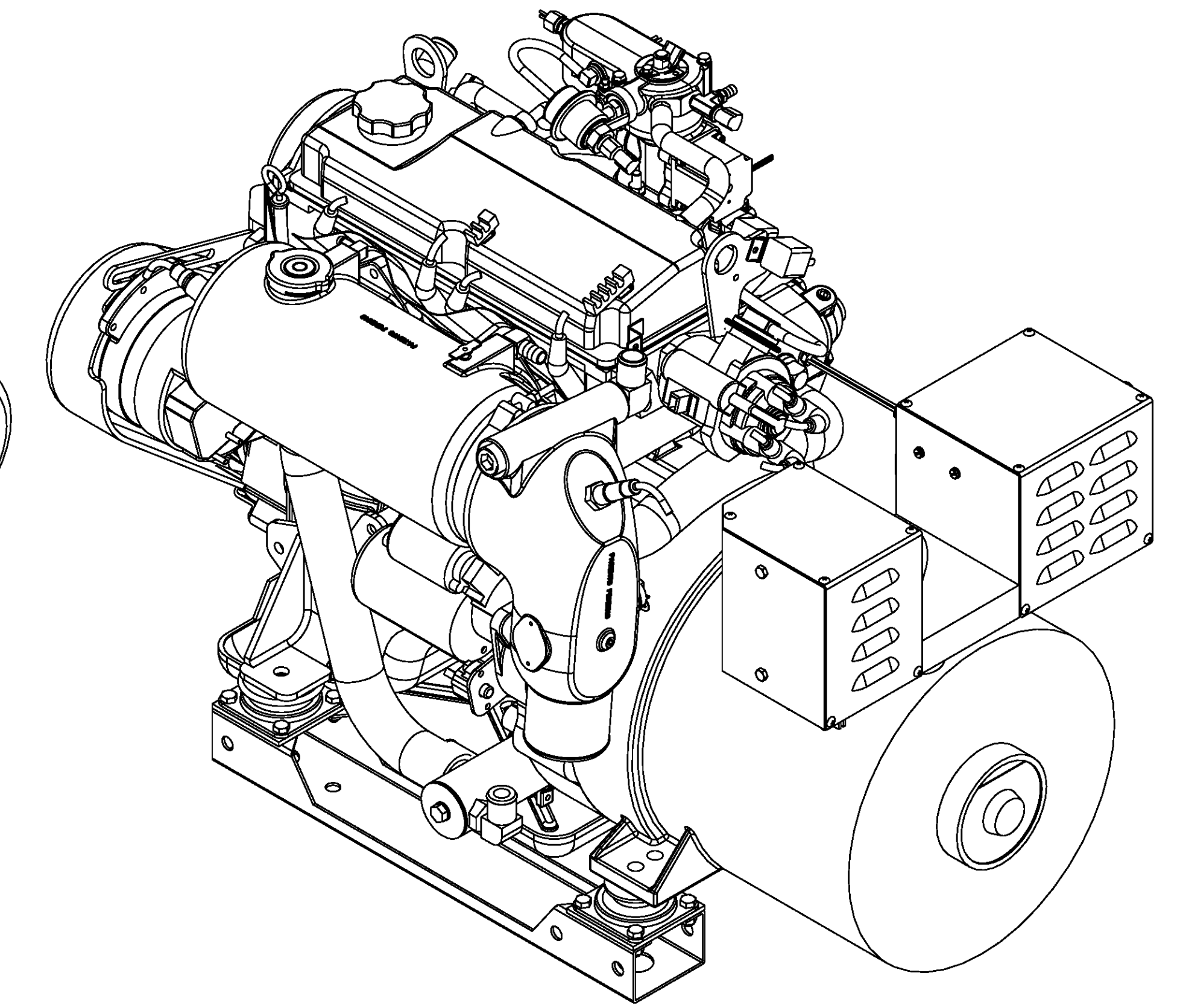
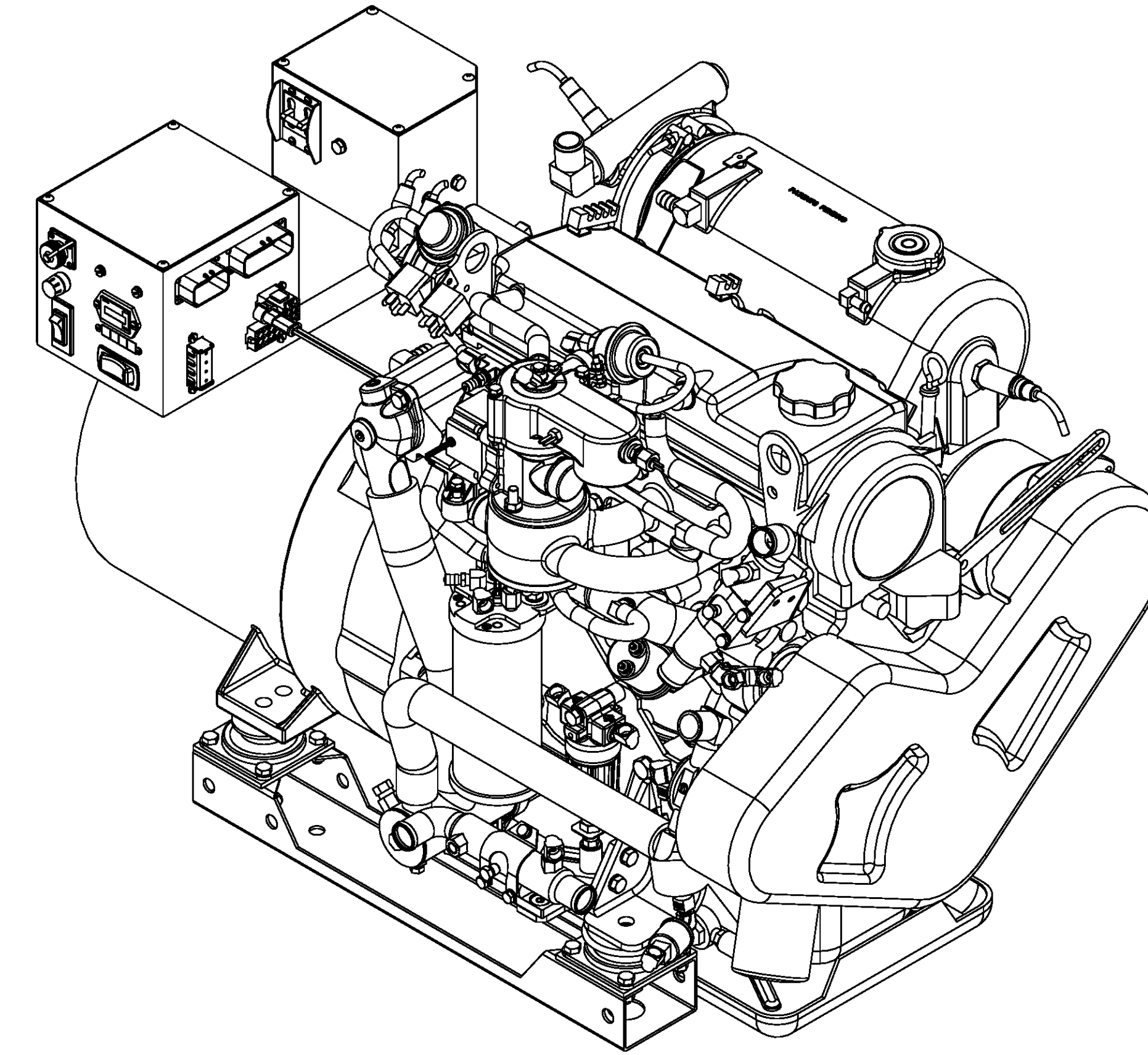
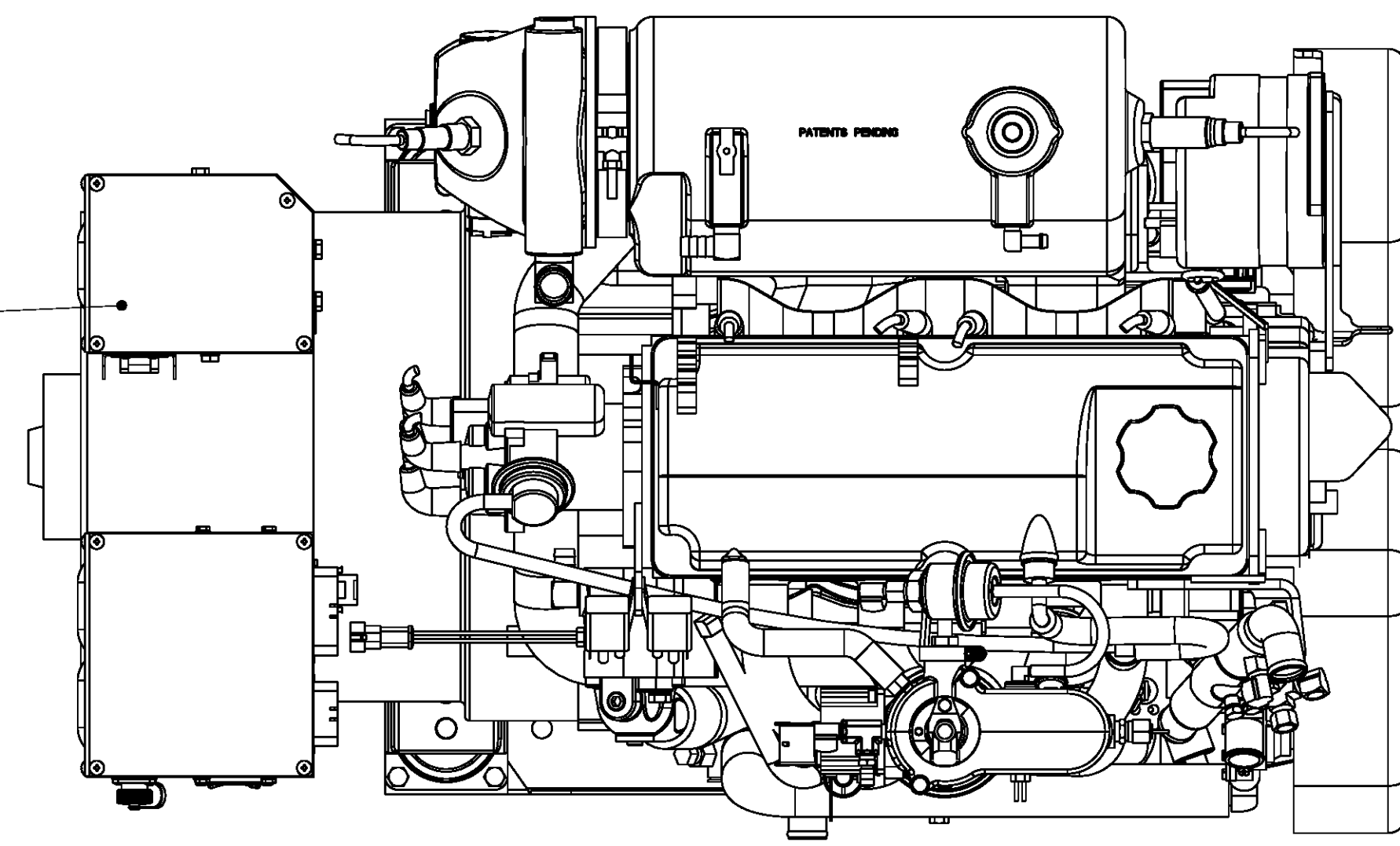
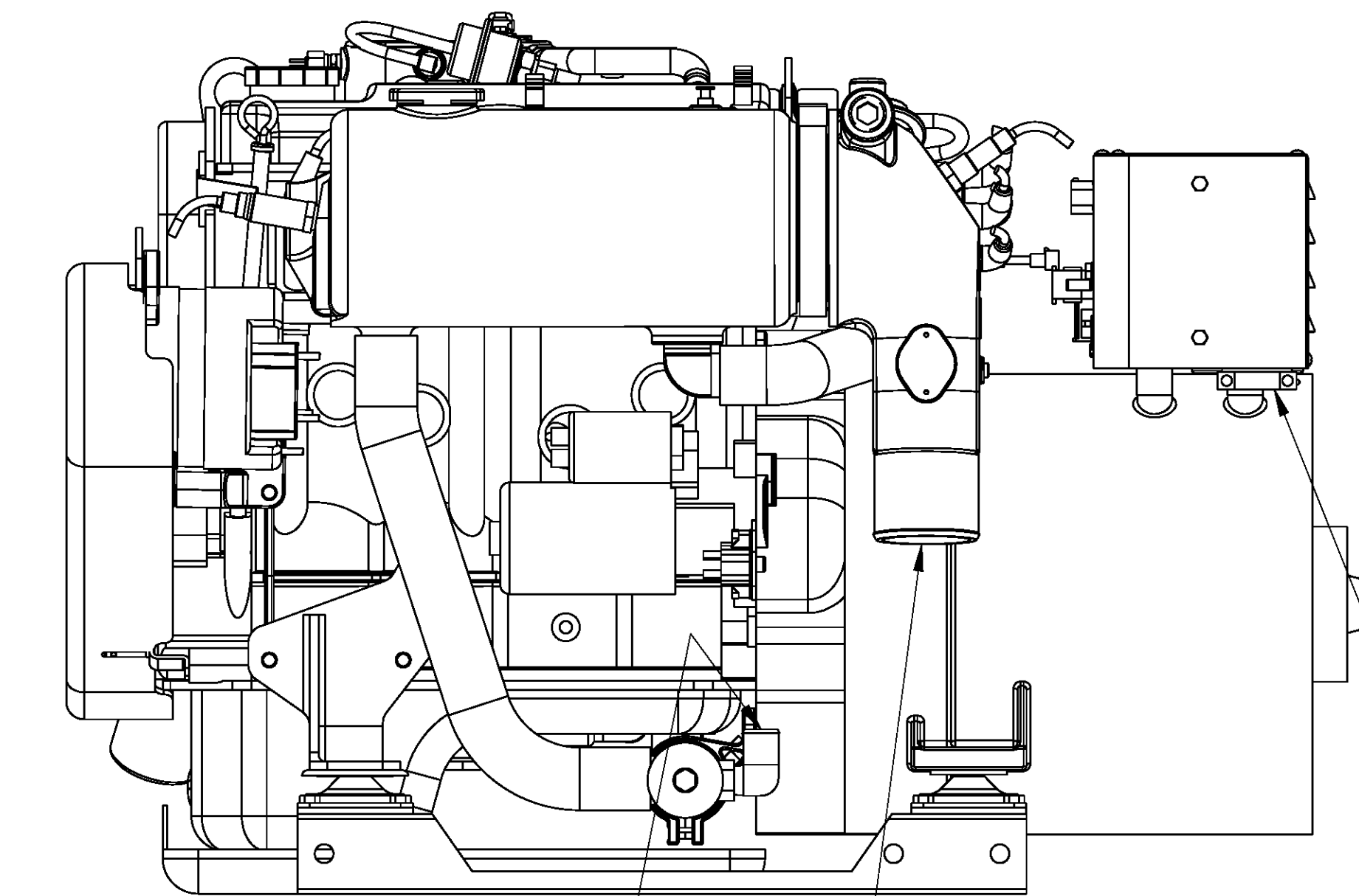
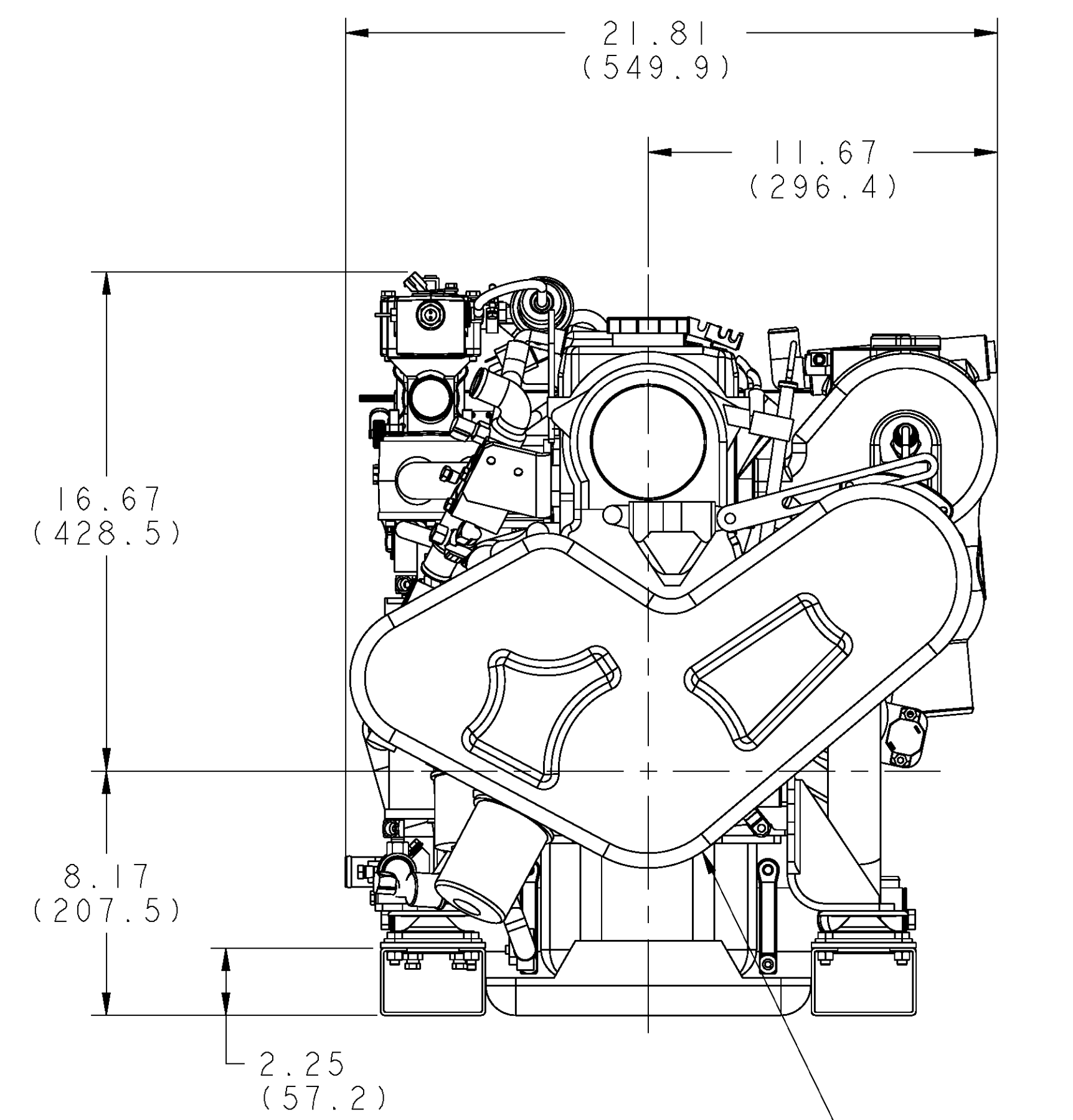
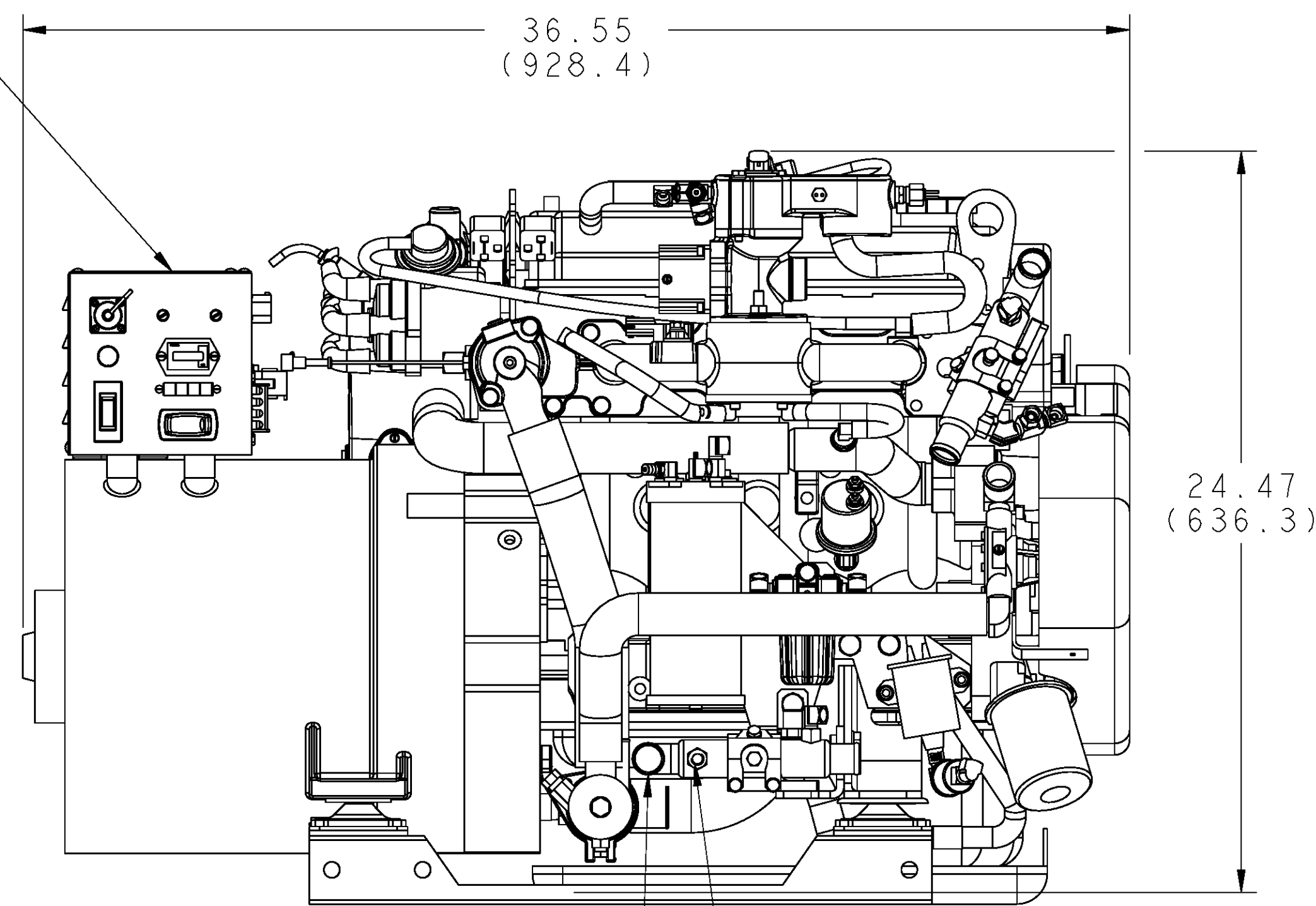
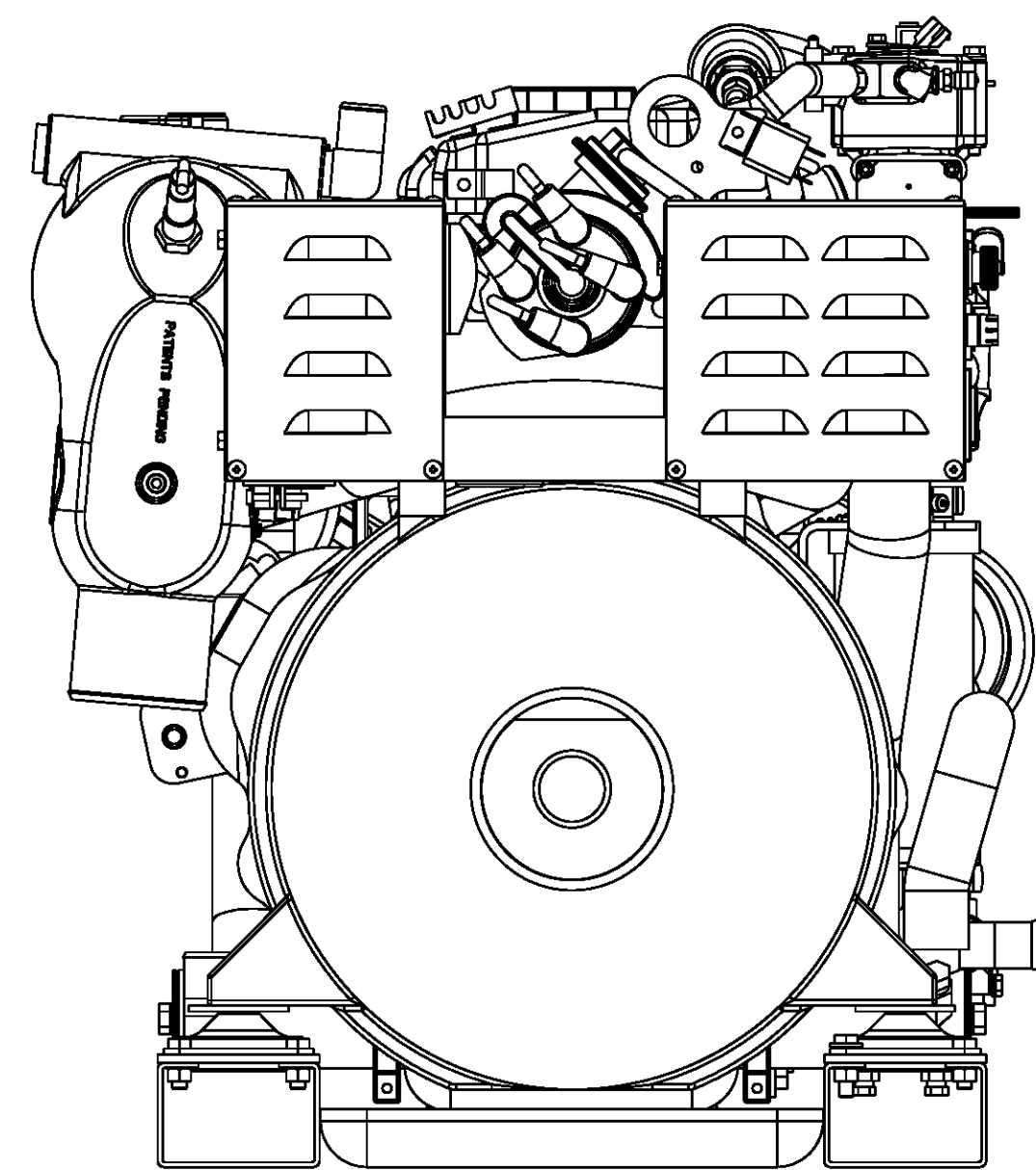


ECO NO.	DATE	REV.	REVISION RECORD		AUTH.	DR. BY
-	7-30-04	A	REVISED INTAKE AND THROTTLE BODY ASSEMBLY			WRM
6092	10-3-05	B	UPDATE INSTALLATION DRAWING WITH RETURNLESS FUEL SYSTEM.			GA

AC OUTPUT CIRCUIT BREAKER



CONTROL PANEL



RAW WATER INLET
Ø1.00 I.D. HOSE

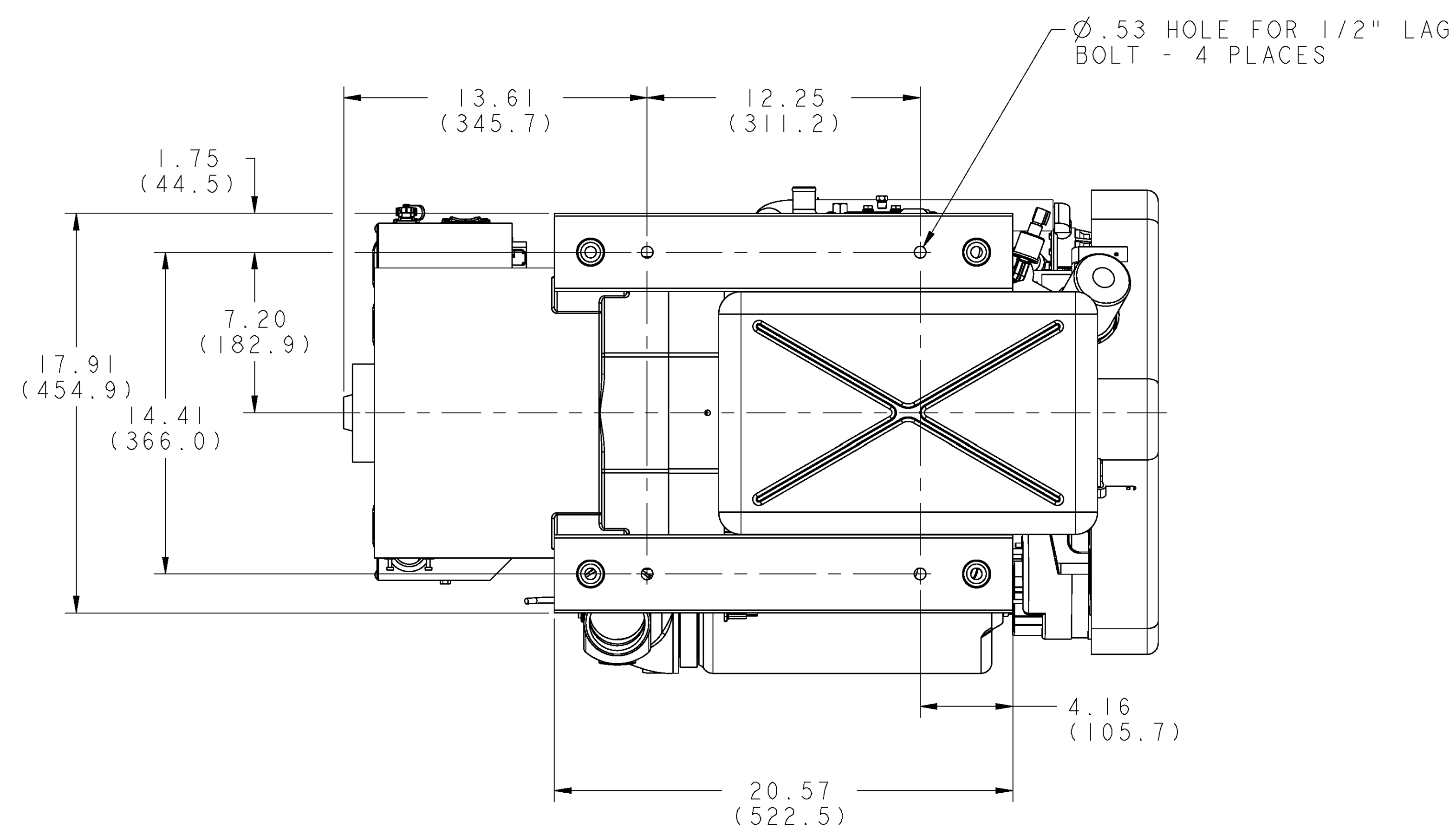
CUSTOMER FUEL CONNECTION
1/8-27 NPT FEMALE

BELT GUARD

RAW WATER DISCHARGE
Ø1.00 I.D. HOSE

EXHAUST OUTLET
Ø3.00 I.D. HOSE

A.C. CONNECTION
WIRING OUTLET



DIMENSIONS IN BRACKETS ARE IN MILLIMETERS

TOLERANCES (UNLESS OTHERWISE NOTED)		WESTERBEKE CORPORATION TAUNTON, MA. 02780	
INCHES	MILLIMETERS	TITLE	
.XX ± .02	X ± 1.0	INSTALLATION DRAWING	
.XXX ± .005	.XX ± .13	14.0 KW. SBEG	
CAST ± .005			
FINISH			
		APPROVED BY	DATE
		DATE	DATE
		SCALE 0.250	SIZE
		SHT. 1 OF 1	DRAWING NUMBER
			REV.
			49272
			B