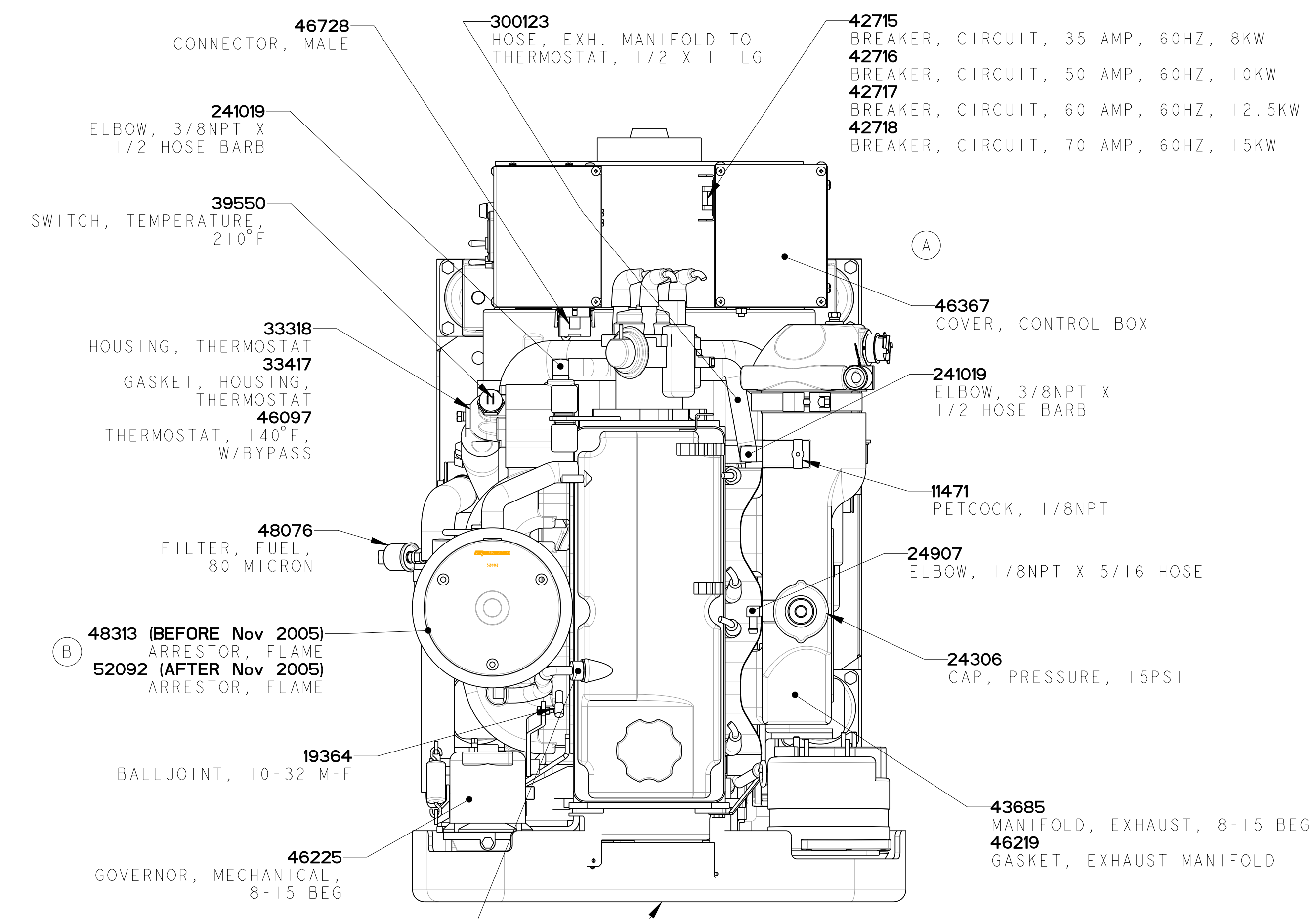
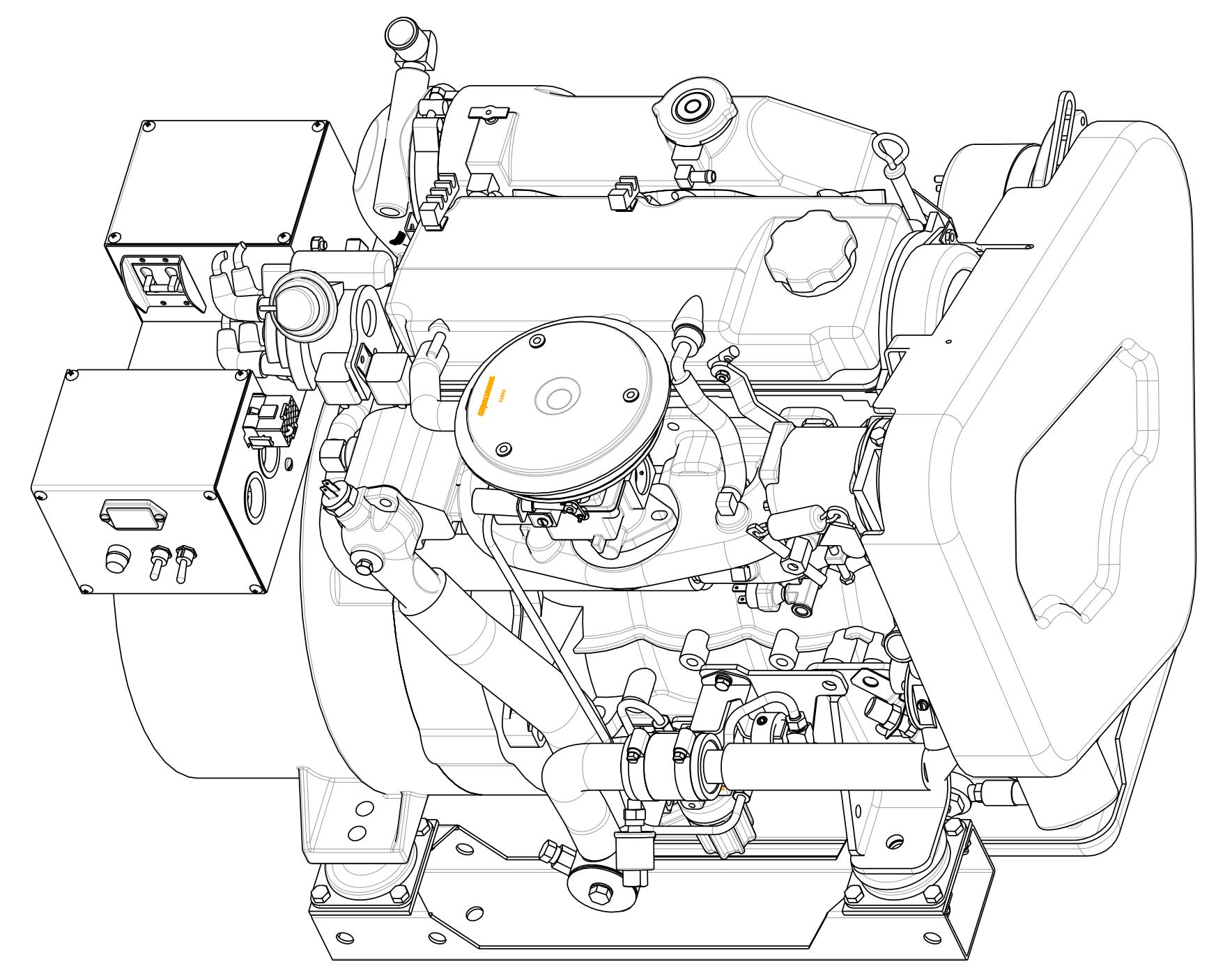
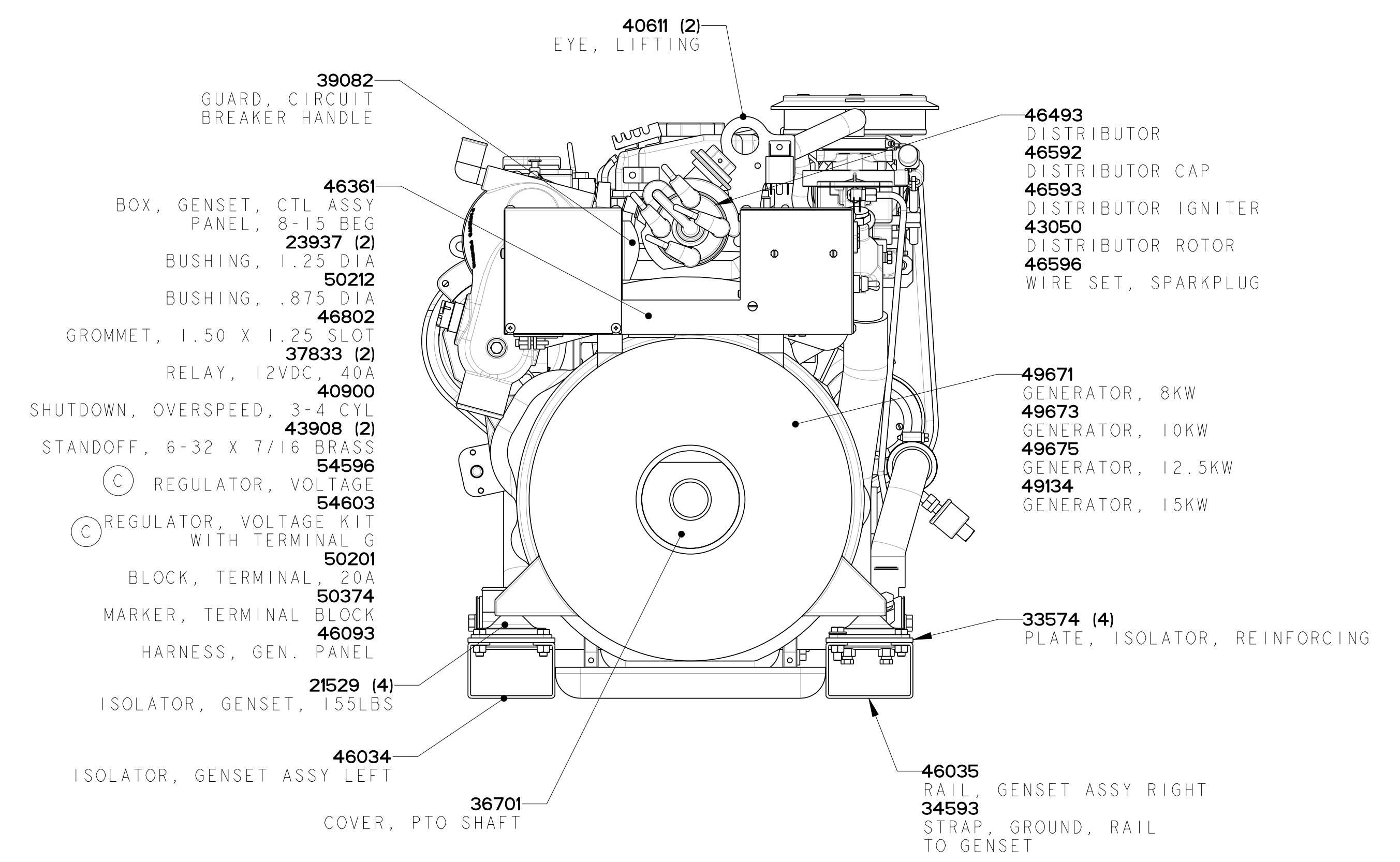
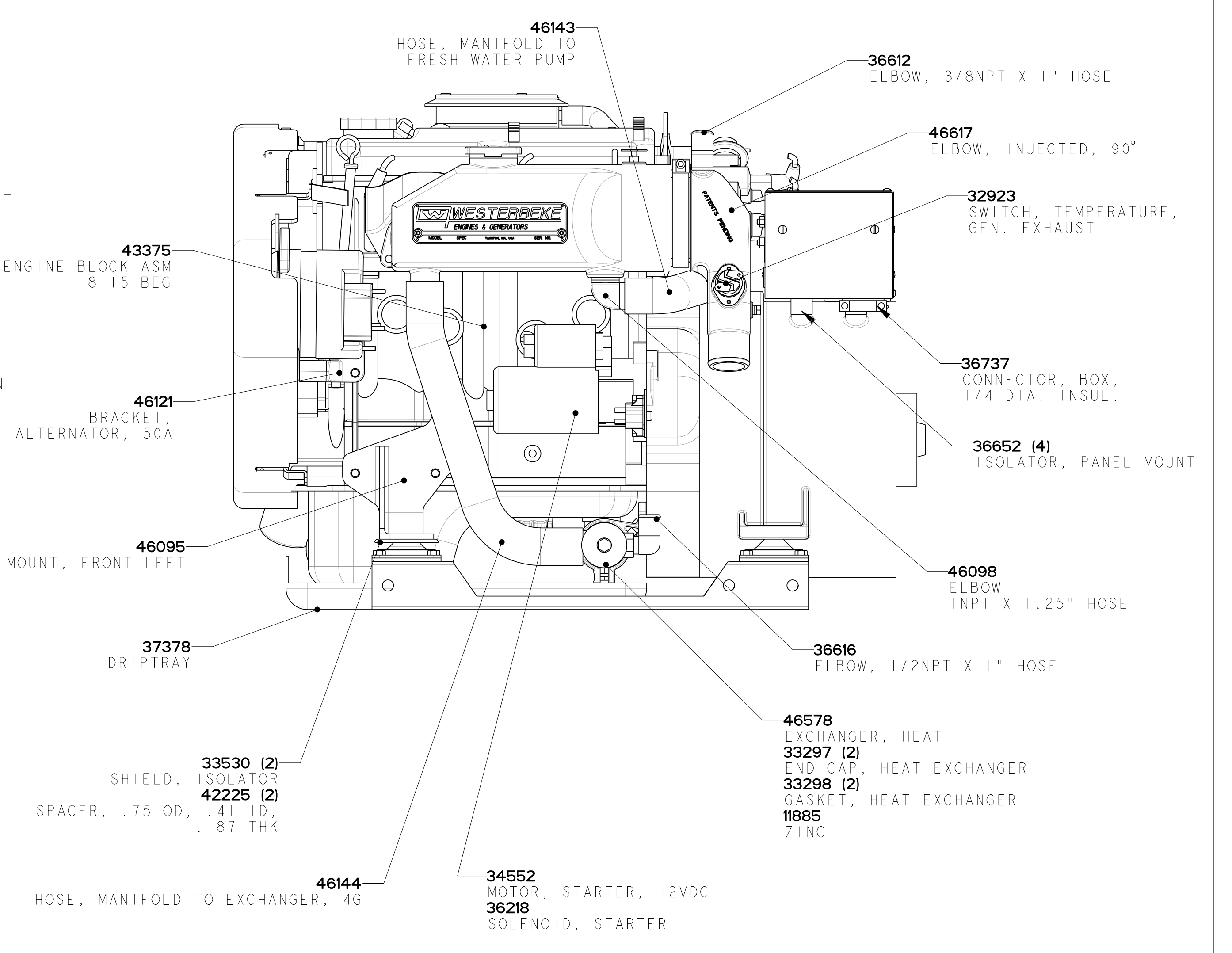
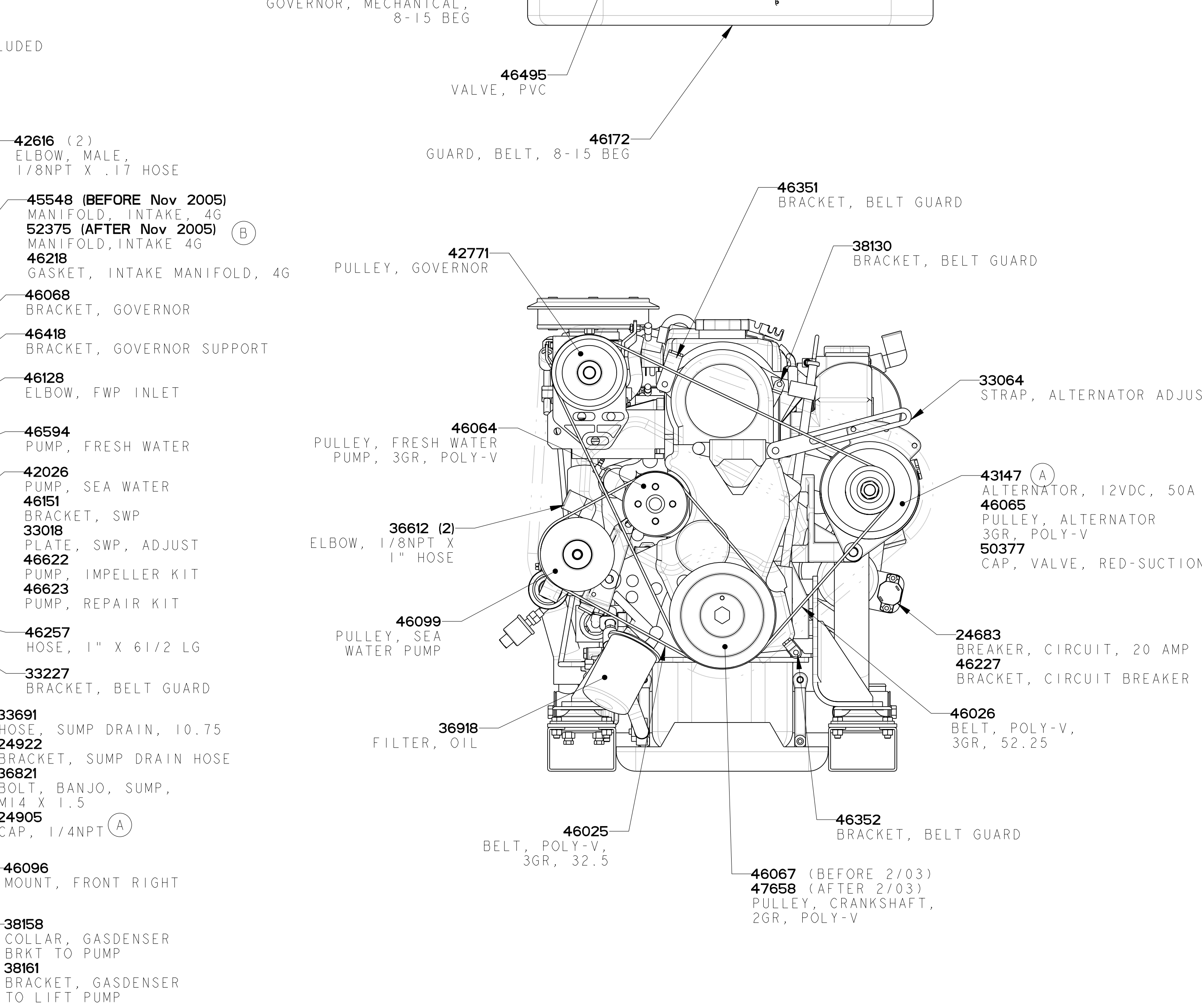
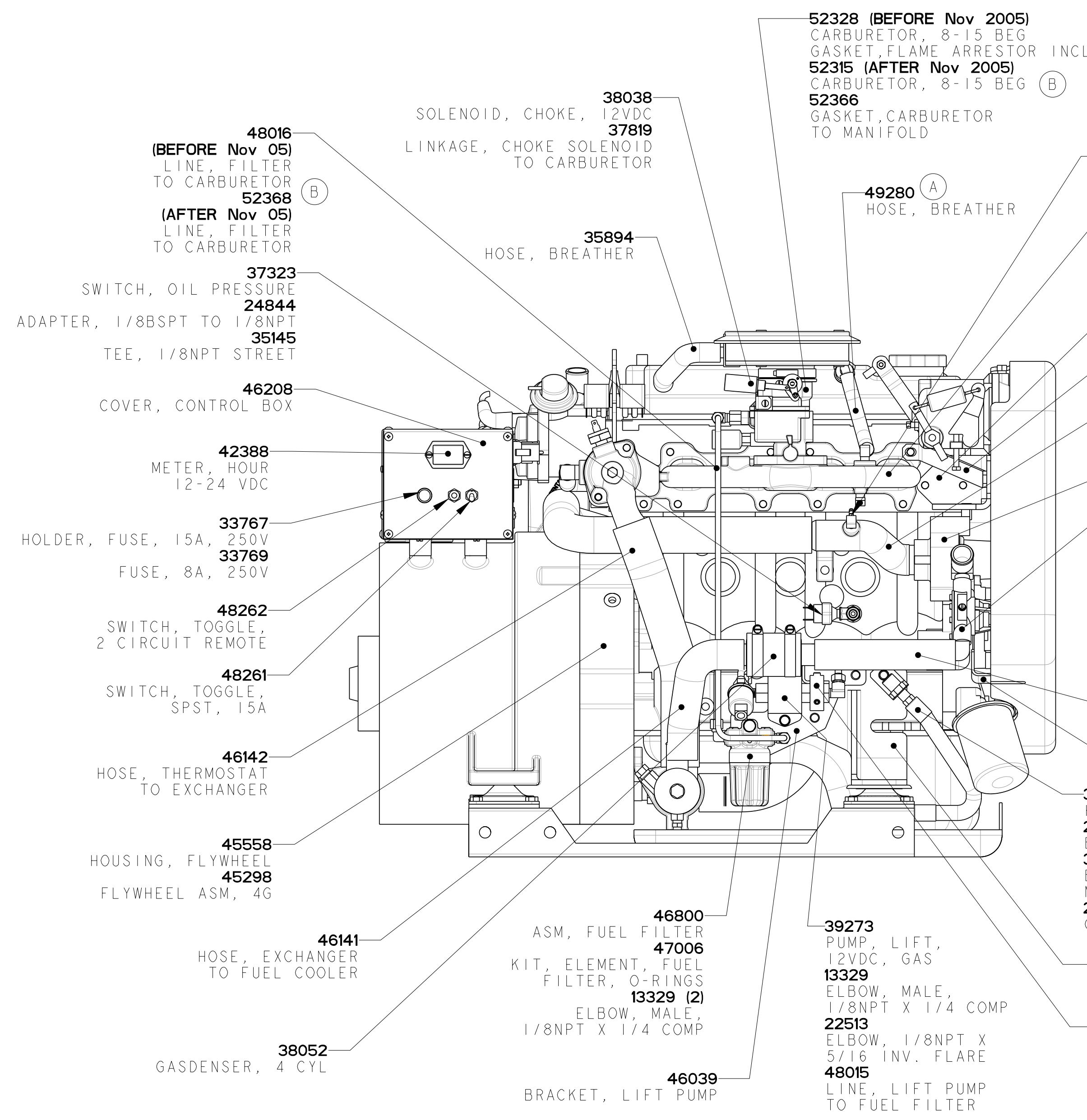


ECO NO.	DATE	REV.	REVISION RECORD	AUTH.	DR. BY
6034	6-27-82	A	FIX INCORRECT P/N		GA
6109	10-21-82	B	UPDATE DRAWING WITH NEW CARBURETOR.		GA
6642	9-10-2009	C	CHANGE VOLTAGE REGULATOR FROM 46446 TO 54596		GA



FAST MOVING PARTS			
48313	AIR FILTER/FLAME ARRESTOR	46361	PANEL, GENSET CONTROL
46172	BELT GUARD	36055	PANEL, REMOTE INSTRUMENT
46025	BELT, WATER PUMP	33703	PANEL, REMOTE START/STOP
46026	BELT, STD. ALTERNATOR/GOVERNOR	43912	PANEL, REMOTE START/STOP 15P
46591	BELT, TIMING	46495	PCV VALVE
52385	CARBURETOR	46594	PUMP, FRESH WATER
24683	CIRCUIT BREAKER 20A 12VDC	39273	PUMP, FUEL LIFT
46493	DISTRIBUTOR	42026	PUMP, SEA WATER
46592	DISTRIBUTOR CAP	46622	PUMP, IMPELLER KIT
46593	DISTRIBUTOR IGNITER	46623	PUMP, REPAIR KIT
43050	DISTRIBUTOR ROTOR	32149	REMOTE LUBE OIL FILTER
32923	EXHAUST TEMPERATURE SWITCH	46620	SPARE PARTS KIT A
36918	FILTER, OIL LUBE	46621	SPARE PARTS KIT B
33769	FUSE, 8 AMP	43071	SPARKPLUG
38052	GASDENSER	34552	STARTER MOTOR
46619	GASKET SET, COMPLETE	36218	STARTER SOLENOID
46618	GASKET SET, UPPER	48261	SWITCH, ON
46600	GASKET, HEAD	48262	SWITCH, START/STOP
46225	GOVERNOR	24977	TANK, COOLANT RECOVERY
46578	HEAT EXCHANGER	46097	THERMOSTAT
33297	HEAT EXCHANGER END CAP	33417	THERMOSTAT MOUNTING GASKET
33298	HEAT EXCHANGER GASKET	46595	VALVE COVER GASKET
42388	HOURMETER	46446	VOLTAGE REGULATOR
46492	IGNITION COIL/HOUSING ASM	37605	VOLTMETER
21529	ISOLATORS, FRONT & REAR	46617	WATER INJECTED EXHAUST ELBOW
47006	KIT, ELEMENT, FUEL FILTER, O-RINGS	37601	WATER TEMPERATURE METER
46221	MANUAL, OPERATOR	35109	WATER TEMPERATURE SENDER
37603	OIL PRESSURE METER	39550	WATER TEMPERATURE SWITCH
24132	OIL PRESSURE SENDER	46596	WIRE SET, SPARKPLUG
37323	OIL PRESSURE SWITCH	1885	ZINC
41196	OVERSPEED SHUTDOWN		
ITEMS NOT SHOWN			
46033	HARNES, GENSET, 8 - 15 BEG		



TOLERANCES (UNLESS OTHERWISE NOTED)		WESTERBEKE CORPORATION TAUNTON, MA. 02780	
INCHES	MILLIMETERS	PARTS LIST, 8-15 BEG	
.XX ± .02	X ± 1.0	DRAWN BY: DM DATE: 04/Apr/03 MATERIAL:	
.XXX ± .005	XX ± .5	APPROVED BY: DATE:	
CST ± .03	XX ± .13	SCALE: 0.250 SIZE: DRAWING NUMBER:	
FINISH: 1/8		SHEET: 1 OF 1 E 48327 REV: C	