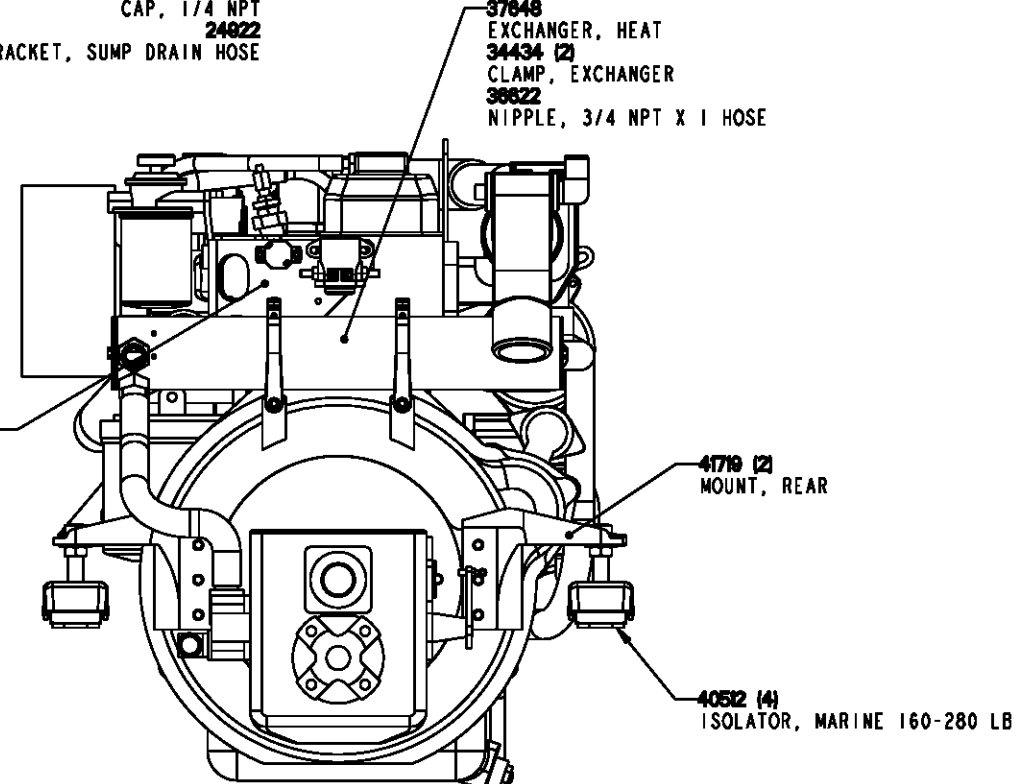
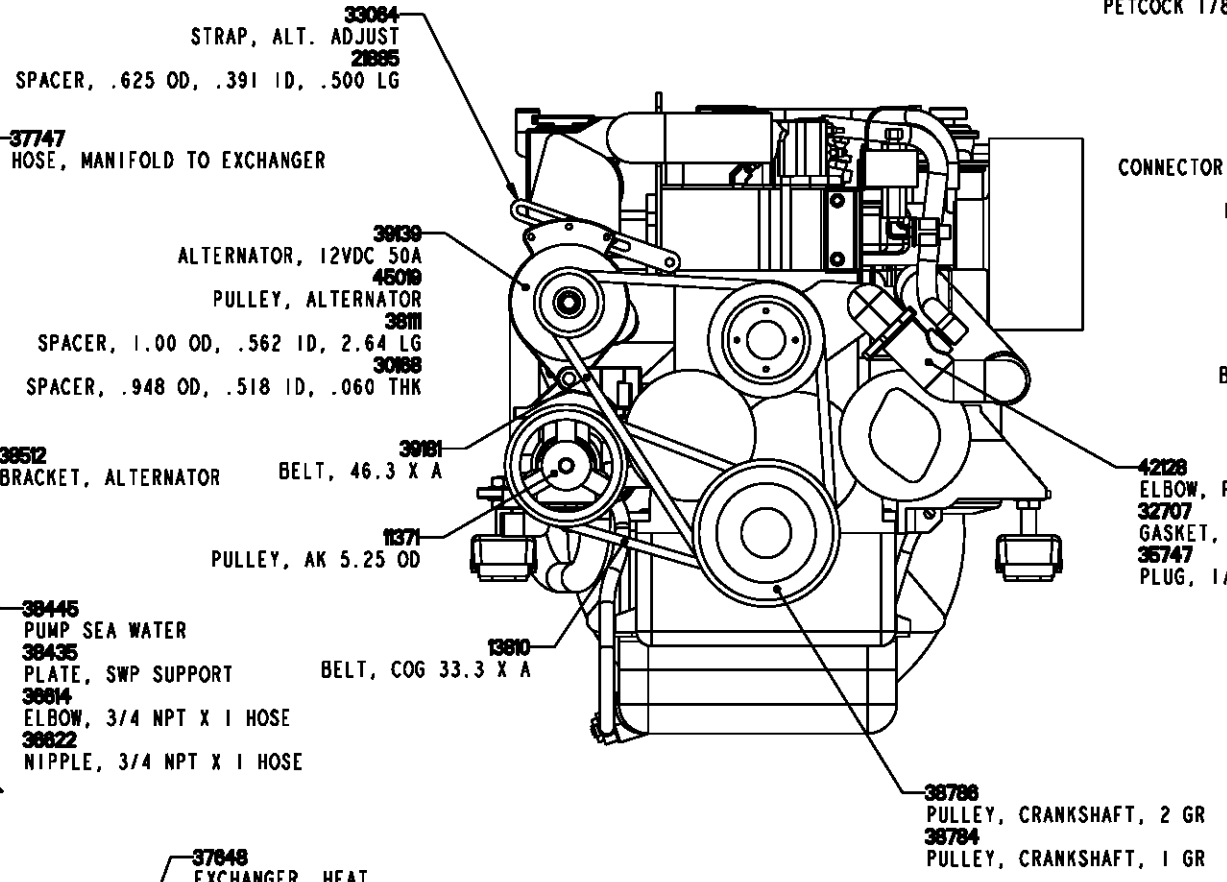
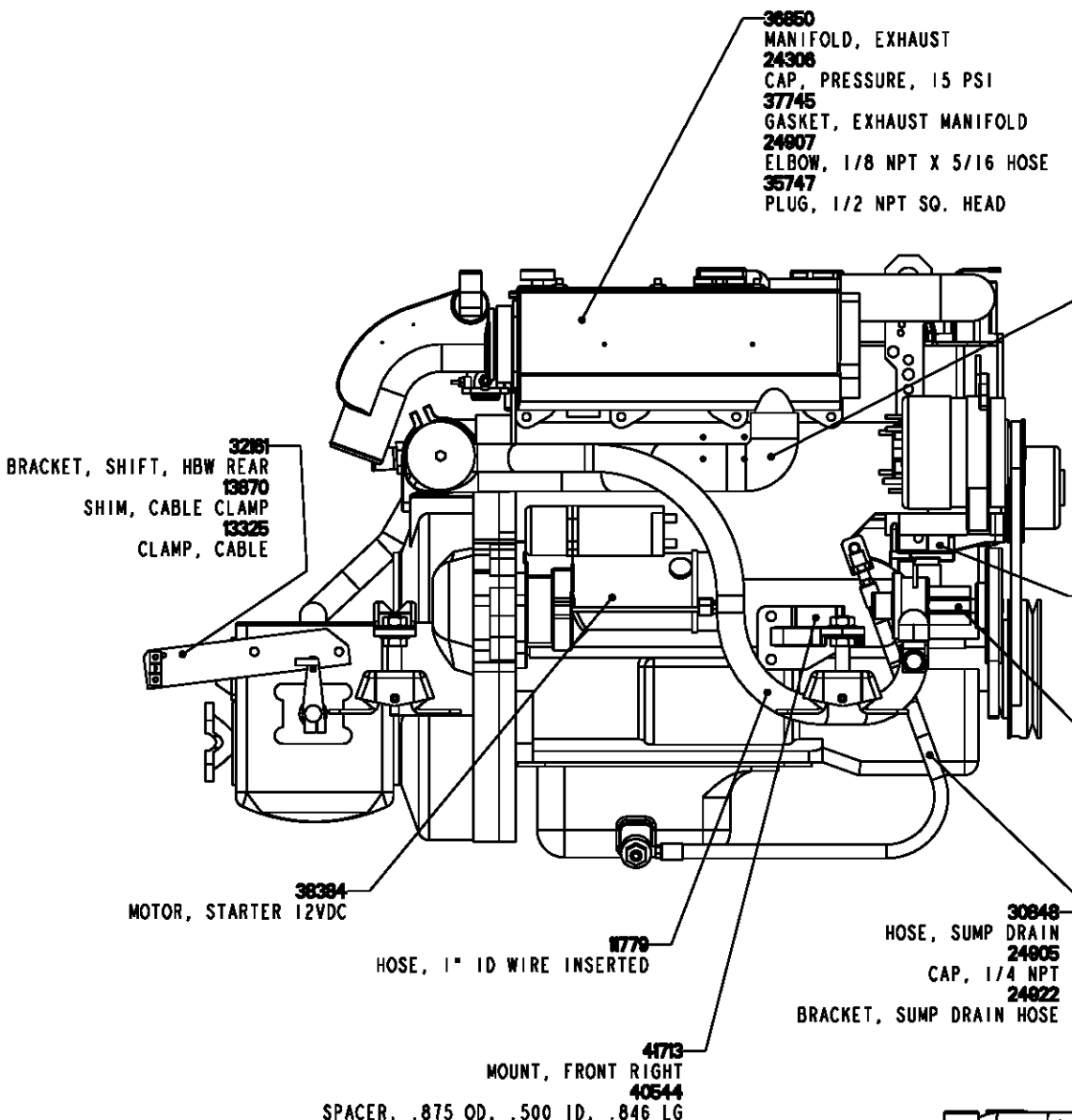
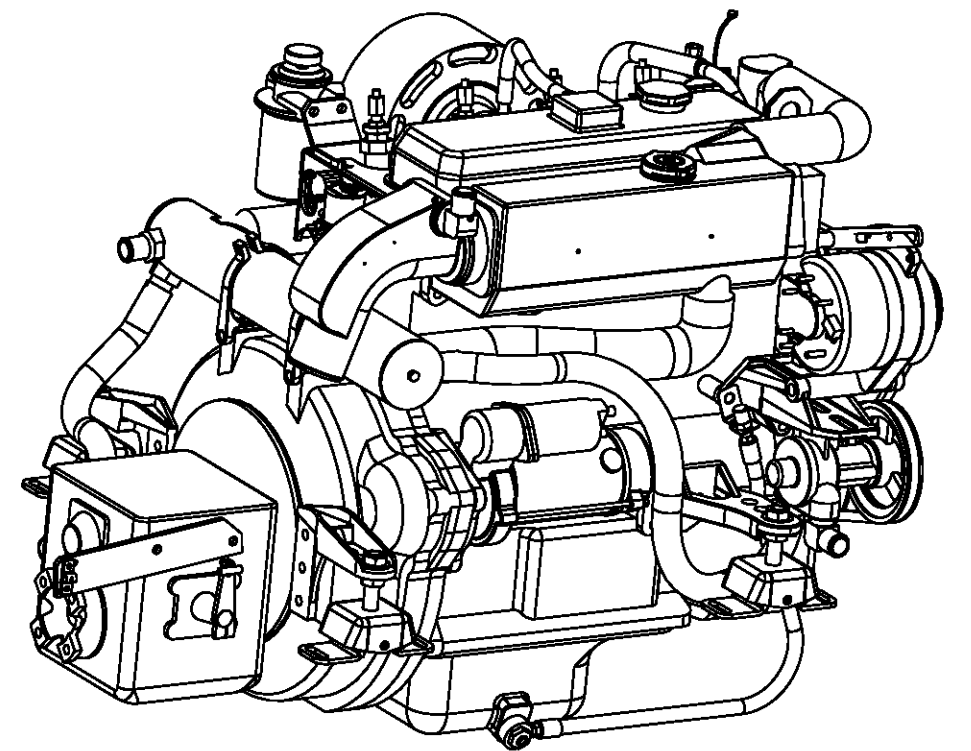
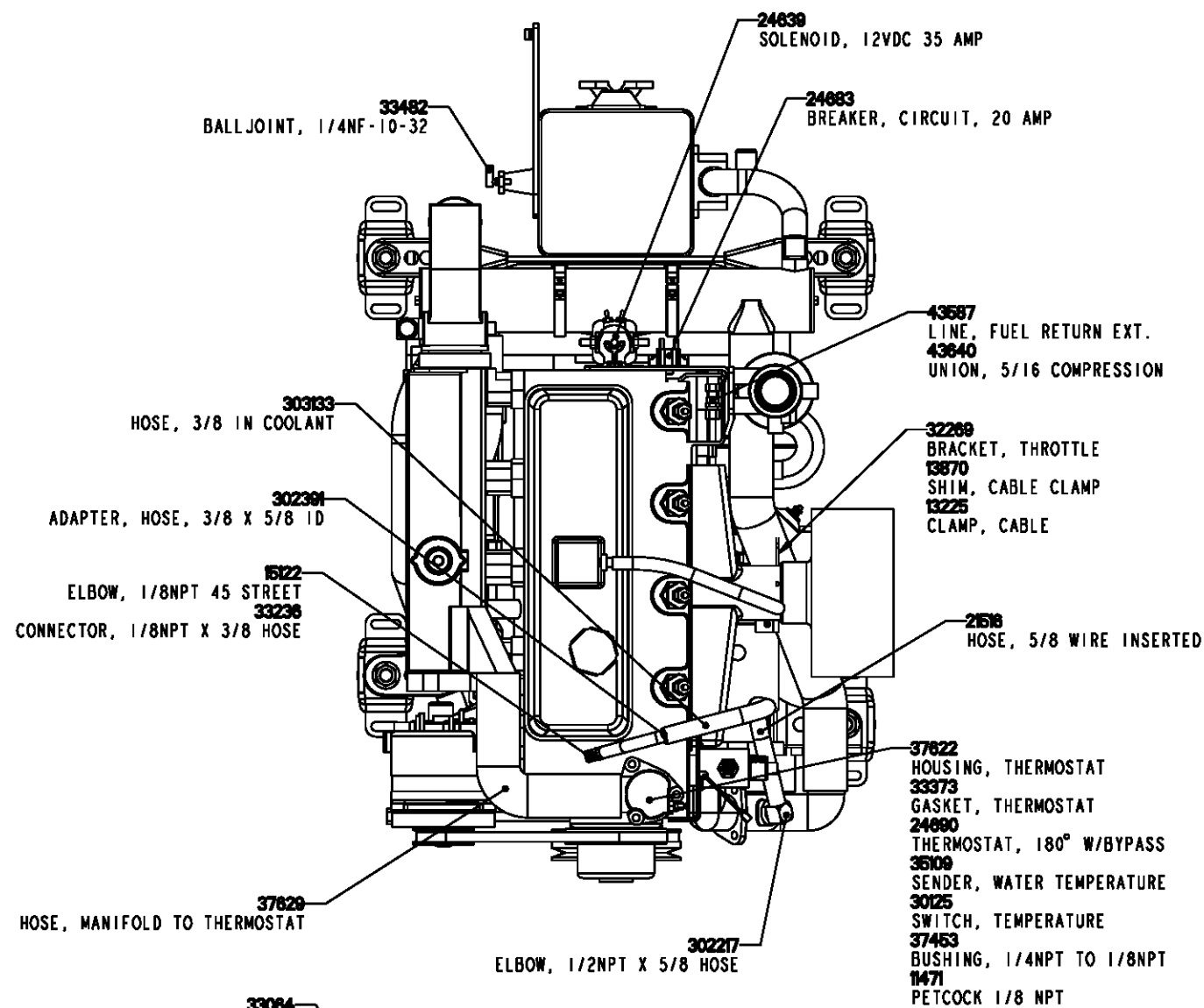


FAST MOVING PARTS			
PART NO.	DESCRIPTION	PART NO.	DESCRIPTION
39790	ALTERNATOR, 12 VDC, 50 AMP	3680	OIL PRESSURE METER
1380	BELT, SEA WATER PUMP	2432	OIL PRESSURE SENDER
3681	BELT, STD. ALTERNATOR	37323	OIL PRESSURE SWITCH
24308	CAP. PRESSURE	13768	PAINT, RED AEROSOL
36883	CIRCUIT BREAKER 10A 12VDC	36842	PANEL, INSTRUMENT - ADMIRAL
24683	CIRCUIT BREAKER 20A 12VDC	36473	PANEL, INSTRUMENT - CAPTAIN
32848	DIPSTICK	33784	PREHEAT & START SWITCH
44878	EXHAUST ELBOW 45° KIT	32711	PUMP, FRESH WATER
39334	EXHAUST ELBOW 70° KIT	36276	PUMP, FUEL LIFT
30548	FILTER, FUEL LIFT	1907	PUMP, IMPELLER KIT
24363	FILTER, FUEL OIL	41376	PUMP, MOUNTING GASKET
32874	FILTER, LUBE OIL	33329	PUMP, REPAIR KIT
39044	FUEL HARDWARE KIT	36446	PUMP, SEA WATER
36678	GASKET SET, COMPLETE	14774	PUMP, SEAL
32876	GASKET SET, UPPER	32973	REMOTE LUBE OIL FILTER
41378	GASKET, FRESH WATER PUMP	48804	SILENCER, AIR INTAKE
32841	GASKET, HEAD	24338	SOLENOID, FUEL SHUT OFF
32718	GASKET, OIL PAN	41372	SOLENOID, FUEL SHUT OFF
24363	GLOWPLUG	24638	SOLENOID, PREHEAT
36857	HARNESSES 15ft EXT 4 Pin	36324	SPARE PARTS KIT A
30780	HARNESSES 15ft EXT 8 Pin	36325	SPARE PARTS KIT B
38300	HEAT EXCHANGER	38384	STARTER MOTOR
22850	HEAT EXCHANGER END CAP	36623	STARTER SOLENOID
22851	HEAT EXCHANGER GASKET	24677	TANK, COOLANT RECOVERY
46046	HOSE KIT	24680	THERMOSTAT
32748	INJECTION PUMP	33373	THERMOSTAT MOUNTING GASKET
32743	INJECTOR	32639	VALVE COVER GASKET
32744	INJECTOR NOZZLE	668	VOLTMETER
32745	INJECTOR RETURN LINE	36780	WATER INJ. EXHAUST RISER
36334	ISOLATORS	36309	WATER TEMPERATURE METER
4982	MANUAL, OPERATOR	36309	WATER TEMPERATURE SENDER
	MANUAL, SERVICE	30628	WATER TEMPERATURE SWITCH
1917	METER, HOUR	1926	ZINC
36805	HARNESSES, MARINE		



TOLERANCES		WESTERBEKE CORPORATION TAUNTON, MA, 02780	
UNLESS OTHERWISE SPECIFIED		PARTS LIST DRAWING	
INCHES	MILLIMETERS	64A FOUR HBW250 TRANSMISSION	
.01	.25	DATE: 1.17.75	
.005	.13	MATERIAL:	
.002	.05	APPROVED BY:	
.001	.02	DATE:	
FINISH	SP	SCALE 0.250	
DIMENSIONS		SIZE	
INCHES		DRAWING NUMBER	
MILLIMETERS		REV.	
(UNLESS OTHERWISE SPECIFIED)		E 52069	