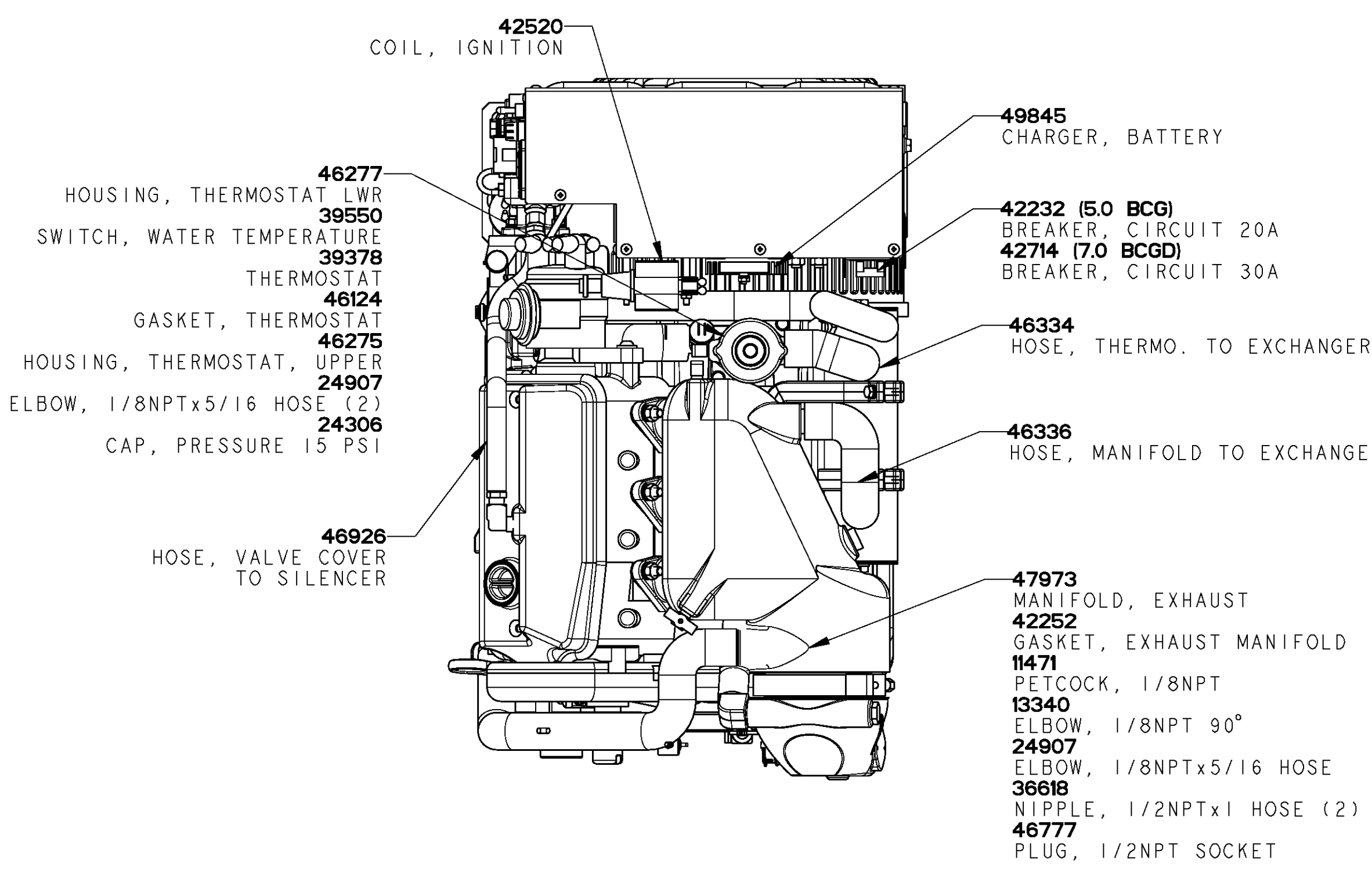
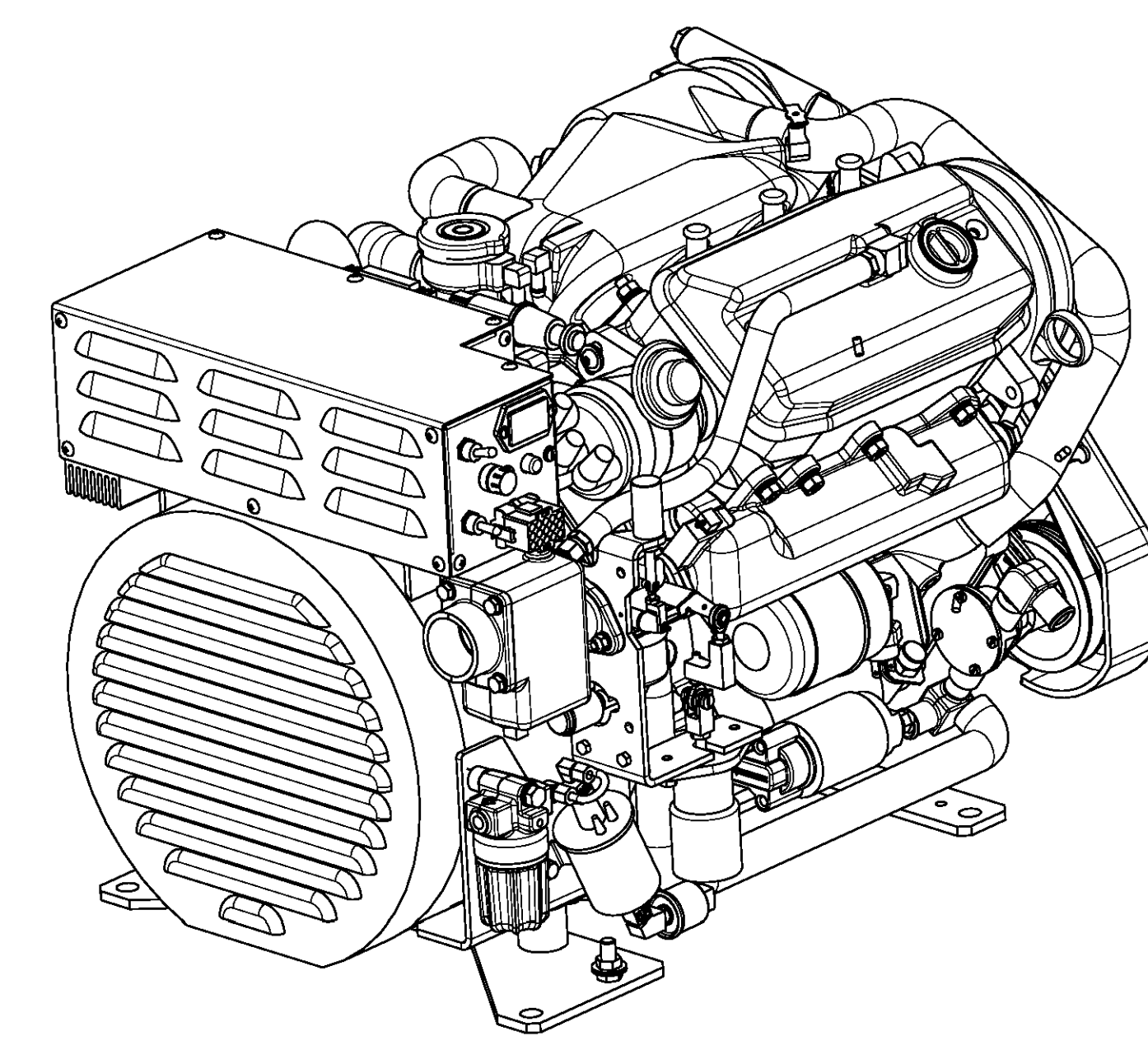
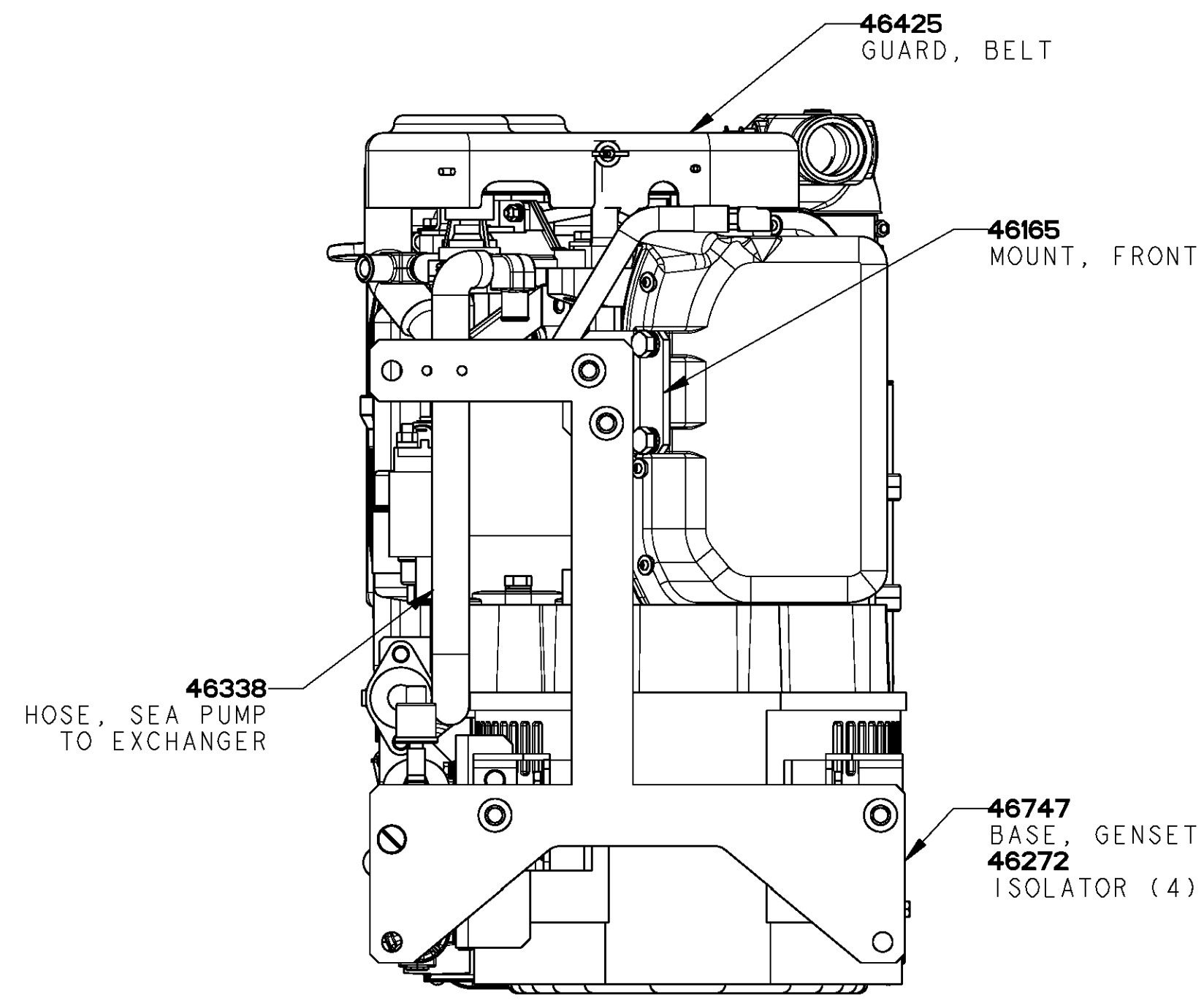
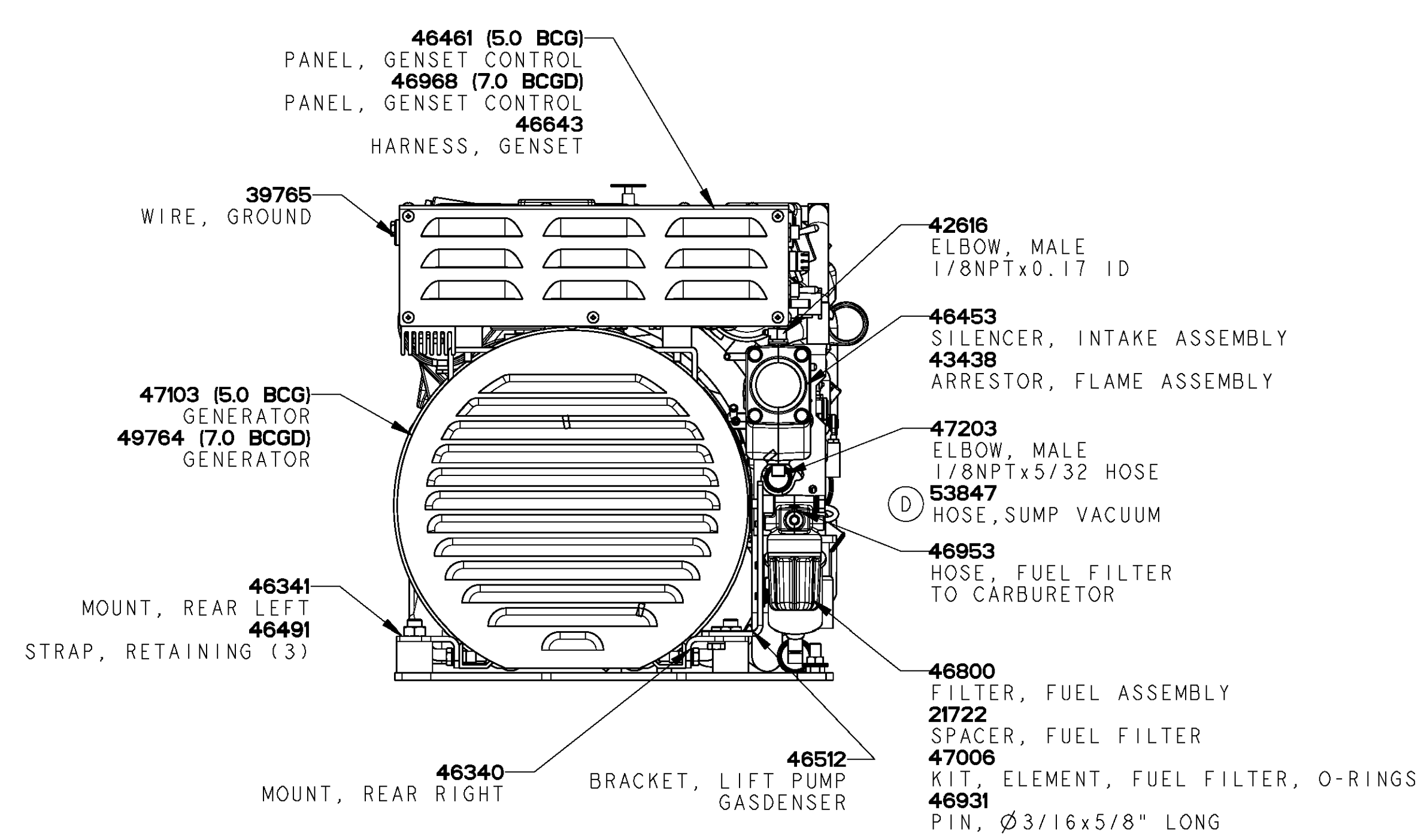
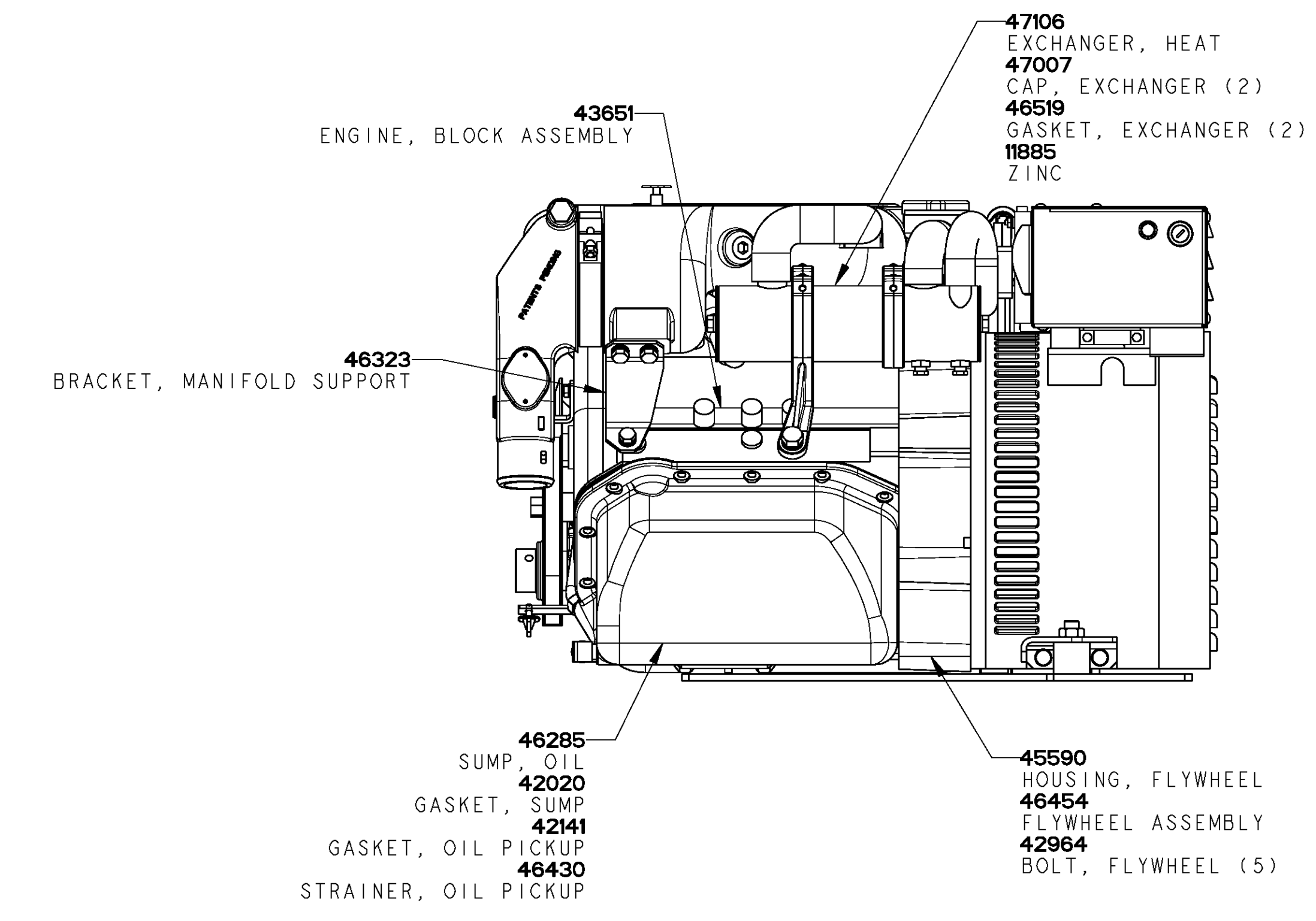
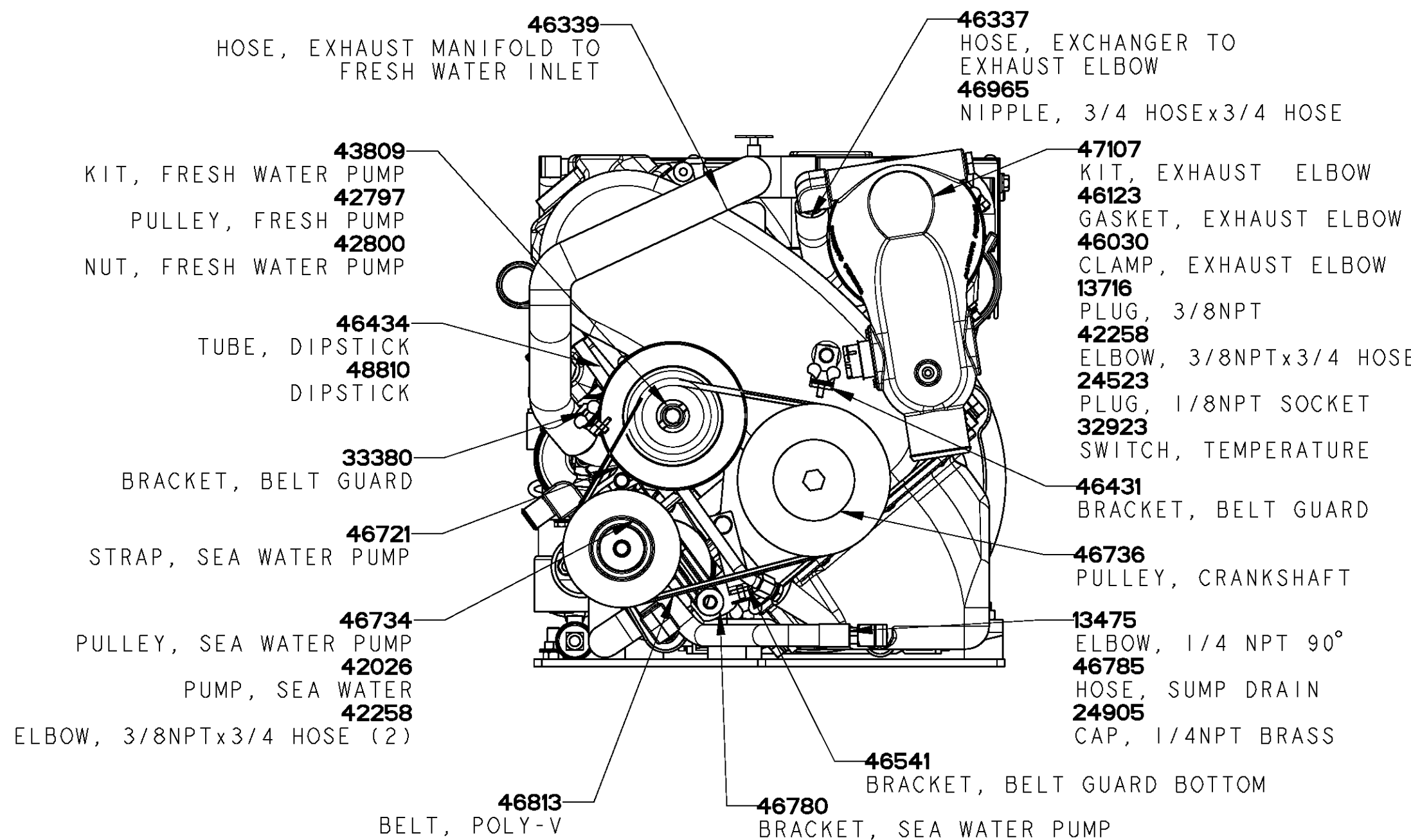
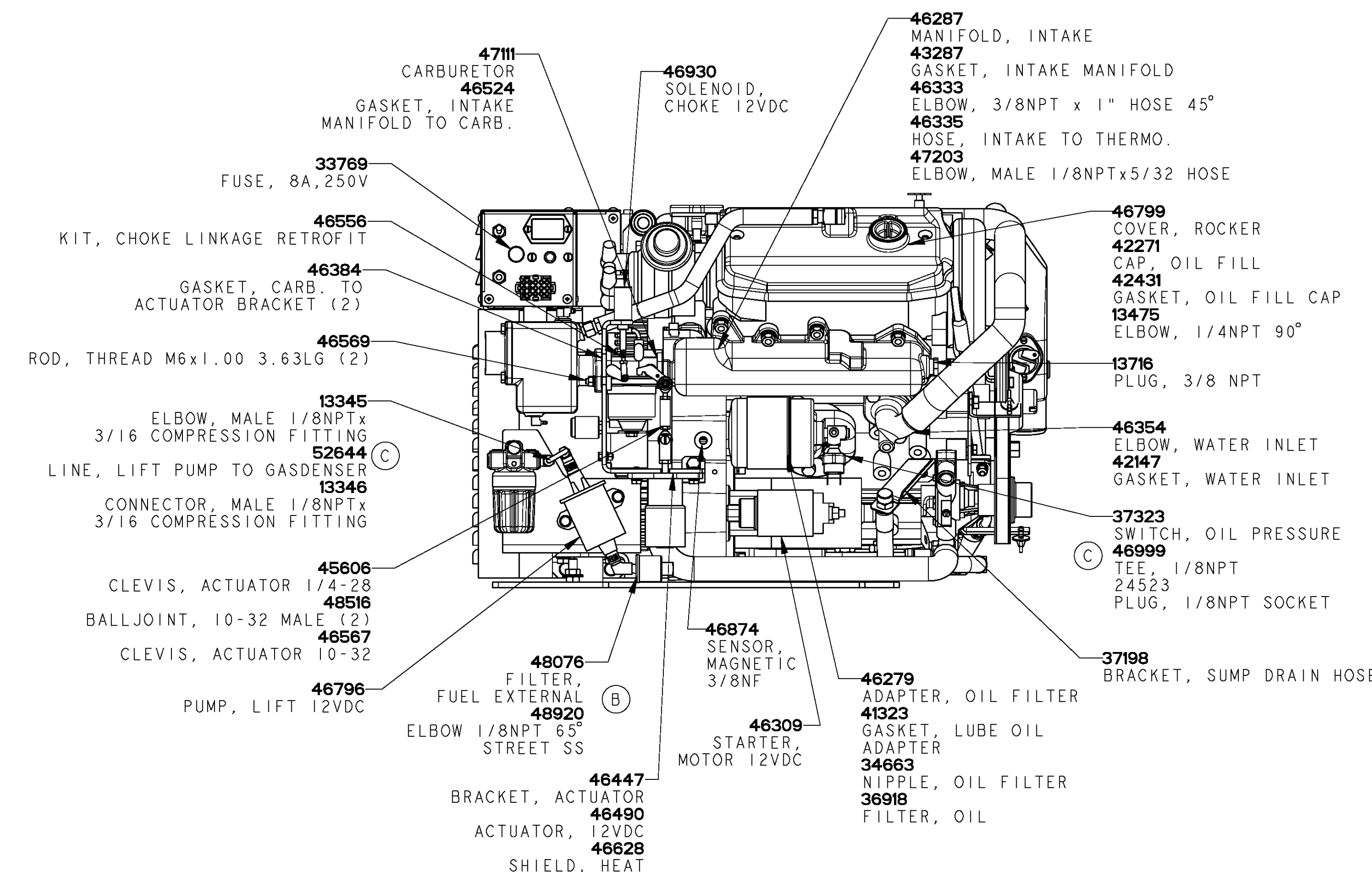


ECO NO.	DATE	REV.	REVISION RECORD	AUTH.	DR. BY
5906	1-13-83	A	BATTERY CHARGER WAS P/N 43096.		GA
6036	6-20-83	B	FIX INCORRECT PART NO.; ADD 7.0 BCGD.		GA
6301	1-15-87	C	FUEL LINE 52664 WAS 46572		GA
6440	1-16-2008	D	ADDED SERVICE MANUAL 52020; 53847 HOSE WAS 47204		GA

FAST MOVING PARTS			
PART NO.	DESCRIPTION	PART NO.	DESCRIPTION
46453	SILENCER, INTAKE	46272	ISOLATORS
49845	BATTERY CHARGER	46983	MANUAL, OPERATION
46425	BELT GUARD	42388	METER, HOUR
46813	BELT, WATER PUMPS	37323	OIL PRESSURE SWITCH
43036	BELT, TIMING	46723	OVERSPEED, SHUTDOWN
24306	CAP, PRESSURE	46461	PANEL, GENSET CONTROL (5.0 BCG)
46875	CAPACITOR 25MFD (5.0 BCG)	46968	PANEL, GENSET CONTROL (7.0 BCGD)
49627	CAPACITOR 35MFD (7.0 BCGD)	43912	PANEL, REMOTE START/STOP
47111	CARBURETOR	43809	PUMP, FRESH WATER
42232	CIRCUIT BREAKER 20AMP (5.0 BCG)	46796	PUMP, FUEL LIFT
42714	CIRCUIT BREAKER 30AMP (7.0 BCGD)	--	--
46876	DGGENSET WIRE	46622	PUMP, IMPELLER KIT
48810	DIPSTICK	46623	PUMP, SEA WATER REPAIR KIT
42488	DISTRIBUTOR	42026	PUMP, SEA WATER
43059	DISTRIBUTOR CAP	33043	PUMP, SEAL
43053	DISTRIBUTOR IGNITER	43649	RECTIFIER
43050	DISTRIBUTOR ROTOR	41150	RELAY 12V DC 30A WITH DIODE
32923	EXHAUST TEMPERATURE SWITCH	40078	REMOTE LUBE OIL FILTER
47006	FILTER, FUEL - O RINGS	46874	SENSOR MAGNETIC
36918	FILTER, LUBE OIL	46930	SOLENOID, CHOKE
43634	FUSE 30 AMP	47002	SPARE PARTS KIT A
33769	FUSE 8 AMP	47003	SPARE PARTS KIT B
47005	GASKET SET, COMPLETE	43071	SPARKPLUG
47004	GASKET SET, UPPER	46309	STARTER MOTOR
46524	GASKET, CARB. TO INTAKE	48261	SWITCH, ON
43005	GASKET, WATER INLET	48262	SWITCH, START/STOP
43029	GASKET, HEAD	24977	TANK KIT, COOLANT RECOVERY
42020	GASKET, OIL PAN	39378	THERMOSTAT
46490	GOVERNOR ACTUATOR	46124	THERMOSTAT MOUNTING GASKET
46945	GOVERNOR CONTROLLER	42688	VALVE COVER GASKET
47106	HEAT EXCHANGER	47107	WATER INJECTED EXHAUST ELBOW KIT
47007	HEAT EXCHANGER END CAP	39550	WATER TEMPERATURE SWITCH
46519	HEAT EXCHANGER GASKET	43060	WIRE SET, SPARKPLUG
46785	HOSE, OIL DRAIN	11885	ZINC
42520	IGNITION COIL	52020	MANUAL, SERVICE 5BCG/A, 7BCGC/D



TUNE-UP SPECIFICATIONS	
SPARK PLUG GAP	0.031±0.002 inches (0.8±0.05 mm)
SPARK PLUG TORQUE	10.8-15.2 ft-lbs
CYLINDER HEAD TORQUE	43-51 ft-lbs (60-70Nm)



TOLERANCES (UNLESS OTHERWISE NOTED)		WESTERBEKE CORPORATION TAUNTON, MA. 02780	
INCHES	MILLIMETERS	TITLE	PART LIST 5.0 BCG / 7.0 BCGD
.XX ± .02	X ± 1.0	DATE	26/Feb/03
.XXX ± .005	X ± .3	MATERIAL	---
CAST ± .03	XX ± .13	APPROVED BY	---
ANGLES: °		DATE	---
FINISH: ±		SCALE	0.250
DIMENSIONS	INCHES	SIZE	DRAWING NUMBER
MILLIMETERS			
(WHEN APPLICABLE)		SHT. 1 OF 1	<b>48039</b>