

Low Carbon Monoxide Emissions

# GASOLINE GENERATORS

Houseboat Series

## The First EFI Low-CO Generators

### A Leader in Technology

Westerbeke is the first company to bring constant speed electronic fuel injected (EFI) generators to the marine market as well as the first low carbon monoxide generators.

### EFI & Electronic Speed Control

These models feature electronic fuel injection providing optimum fuel efficiency, easy starting and improved reliability. In conjunction with EFI, electronic speed control (via electronic governor) maintains the engine at a constant speed (precise frequency regulation) and eliminates "bogging down" when load is applied.

### Smooth & Quiet

Houseboat generators operate at a quiet, electronically controlled, 1800 or 1500 rpm. Powered by 4-cylinder, 4-stroke engines that virtually eliminate vibration, the houseboat series gasoline generators are also extremely smooth running.

### Durable and Reliable

These modern overhead cam engines operate at a low rpm for long life and low maintenance. The houseboat series owner can expect more durability and reliability from his slow speed Westerbeke generator set. Customers can also rely on Westerbeke's stellar reputation in the houseboat industry from Lake Powell, U.S.A. to Lake Eildon, Australia.

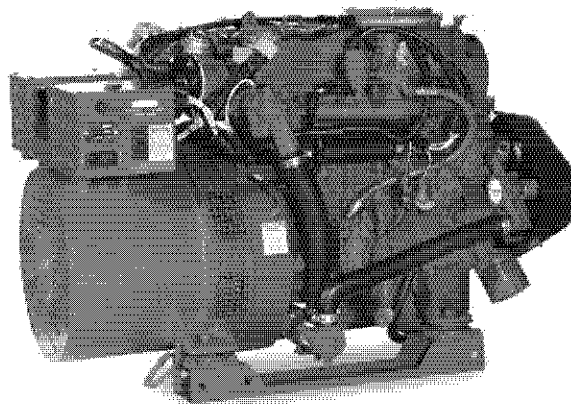
Westerbeke EFI, low-CO gensets are designed to operate in extreme ambient temperatures and incorporate a returnless fuel system to help eliminate fuel vapor-lock.

### Five Year Limited Warranty

Houseboat series generators are backed by Westerbeke's 5-year limited warranty. The presence of Westerbeke in over 65 countries around the world provides customers with easy access to parts, service and technical support. Established in 1937, Westerbeke is committed to providing its customers with quality products and unequalled after sales support.

### Full Torque Power Take-Off

An optional PTO, back-end mounted for full torque power take-off, is available.



8 kW – 22.5 kW at 60Hz (6.4 kW – 18.0 kW at 50Hz)

### Standard Features

- Simple, "one-touch" start/stop control panel with running hour meter and LED lights
- Electronic fuel injection
- Returnless fuel system
- Electronic governing
- Electronic voltage regulation
- Safety shut-downs—overspeed, low oil pressure, high exhaust temperature
- Fresh water cooling and coolant recovery tank
- Field convertible to 50 or 60 Hz
- A.C. circuit breaker
- 50 amp battery charging alternator
- Water injected exhaust elbow
- Belt-driven raw water pump
- Vibration isolators
- Lube oil drain hose
- Belt guard
- Operators' manual and parts list
- Meets U.S.C.G regulation 33CFR-183



WESTERBEKE GASOLINE GENERATORS

Houseboat Series

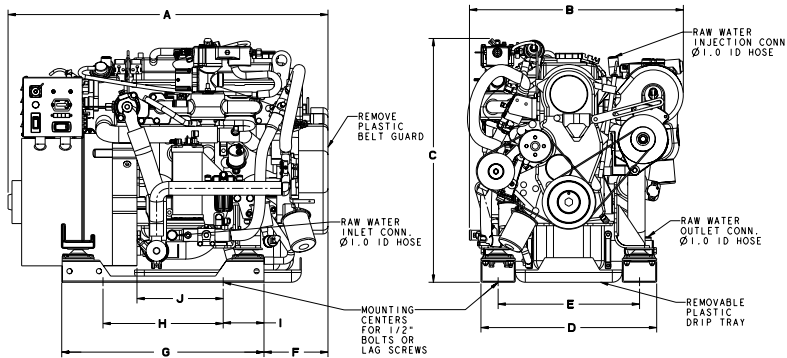
### Generator Design

**DESIGN:** Brushless, four pole, revolving field, power take-off  
**VOLTAGE REGULATION:** Standard +/- 2% no load to full load  
**FREQUENCY REGULATION:** .5 Hz (1%) no load to full load  
**INSULATION:** Class "H" as defined by NEMA MG1-1.66

**TEMPERATURE RISE:** Within NEMA MG1-22.40 operating at full load  
**COOLING:** Cast centrifugal blower, direct connected  
**ELECTROMAGNETIC INTERFERENCE LEVEL:** Exceeds requirements for most marine radio-telephones and standard TVs

| Model<br>(60 Hz & 50 Hz) | ELECTRICAL CHARACTERISTICS |        |       |       |      | RATINGS |      | ENGINE |
|--------------------------|----------------------------|--------|-------|-------|------|---------|------|--------|
|                          | Volts                      | Amps   | Hertz | Phase | Wire | P.F.    | KW   | RPM    |
| 8.0 SBEG                 | 120/240                    | 66/33  | 60    | 1     | 4    | 1.0     | 8.0  | 1800   |
| 10.0 SBEG                | 120/240                    | 83/41  | 60    | 1     | 4    | 1.0     | 10.0 | 1800   |
| 12.5 SBEG                | 120/240                    | 104/52 | 60    | 1     | 4    | 1.0     | 12.5 | 1800   |
| 14.0 SBEG                | 120/240                    | 116/58 | 60    | 1     | 4    | 1.0     | 14.0 | 1800   |
| 20.0 SBEGA               | 120/240                    | 166/83 | 60    | 1     | 4    | 1.0     | 20.0 | 1800   |
| 22.5 SBEGA               | 120/240                    | 187/93 | 60    | 1     | 4    | 1.0     | 22.5 | 1800   |
| 6.4 SBEG                 | 230                        | 27     | 50    | 1     | 4    | 1.0     | 6.4  | 1500   |
| 8.0 SBEG                 | 230                        | 34     | 50    | 1     | 4    | 1.0     | 8.0  | 1500   |
| 10.0 SBEG                | 230                        | 43     | 50    | 1     | 4    | 1.0     | 10.0 | 1500   |
| 11.6 SBEG                | 230                        | 50     | 50    | 1     | 4    | 1.0     | 11.6 | 1500   |
| 16.0 SBEGA               | 230                        | 69     | 50    | 1     | 4    | 1.0     | 16.0 | 1500   |
| 18.0 SBEGA               | 230                        | 78     | 50    | 1     | 4    | 1.0     | 18.0 | 1500   |

| SPECIFICATIONS<br>(60 Hz & 50 Hz)                   | MODEL (60 HZ) |           |           |           |            |            |
|---|---------------|-----------|-----------|-----------|------------|------------|
|   | 8.0 SBEG      | 10.0 SBEG | 12.5 SBEG | 14.0 SBEG | 20.0 SBEGA | 22.5 SBEGA |
| Number of Cylinders                                 | 4             | 4         | 4         | 4         | 4          | 4          |
| Type  | 4 Cycle       | 4 Cycle   | 4 Cycle   | 4 Cycle   | 4 Cycle    | 4 Cycle    |
| Displacement – Cubic Inches                         | 89.6          | 89.6      | 89.6      | 89.6      | 133.3      | 133.3      |
| Cylinder Bore & Stroke – Inches                     | 2.97x3.23     | 2.97x3.23 | 2.97x3.23 | 2.97x3.23 | 3.38x3.70  | 3.38x3.70  |
| Horsepower at 1800/1500 RPM                         | 24/19         | 24/19     | 24/19     | 24/19     | 35/28      | 35/28      |
| Exhaust Elbow Connection – Inches                   | 3.0           | 3.0       | 3.0       | 3.0       | 3.0        | 3.0        |
| Raw Water Connection – Inches                       | 1.0           | 1.0       | 1.0       | 1.0       | 1.0        | 1.0        |
| Cooling System Capacity – Quarts                    | 6.0           | 6.0       | 6.0       | 6.0       | 9.5        | 9.5        |
| Lube Oil Capacity – Quarts                          | 3.5           | 3.5       | 3.5       | 3.5       | 4.5        | 4.5        |
| Charging Alternator – Amps                          | 50            | 50        | 50        | 50        | 50         | 50         |
| Cold Cranking Amps – Amps                           | 150           | 150       | 150       | 150       | 250        | 250        |
| Electrical System – Neg. Gnd. – Volts               | 12            | 12        | 12        | 12        | 12         | 12         |
| Approx. Full Load Fuel Consumption – GPH (1800 RPM) | 1.0           | 1.1       | 1.3       | 1.4       | 2.0        | 2.2        |
| Approx. Full Load Fuel Consumption – LPH (1500 RPM) | 3.0           | 3.5       | 4.0       | 4.5       | 6.3        | 7.0        |



### Optional Equipment

- Remote Start-Stop Panel
- Ship-Shore Transfer Switch
- Hydro-Hush Muffler
- Anti-siphon Valve
- Technical Manual
- "A" & "B" On-board Spare Parts Kit

**Note:** Generators require 3" I.D. exhaust outlet.

| Model<br>(60 Hz) | Dry Weight | DIMENSIONS – INCHES |      |      |      |      |     |      |      |     |      |
|------------------|------------|---------------------|------|------|------|------|-----|------|------|-----|------|
|                  |            | A                   | B    | C    | D    | E    | F   | G    | H    | I   | J    |
| 8.0 SBEG         | 438 lbs.   | 32.6                | 21.8 | 25.1 | 17.9 | 14.4 | 6.5 | 20.6 | 12.3 | 4.2 | NA   |
| 10.0 SBEG        | 463 lbs.   | 33.8                | 21.8 | 25.1 | 17.9 | 14.4 | 6.5 | 20.6 | 12.3 | 4.2 | NA   |
| 12.5 SBEG        | 495 lbs.   | 34.8                | 21.8 | 25.1 | 17.9 | 14.4 | 6.5 | 20.6 | 12.3 | 4.2 | NA   |
| 14.0 SBEG        | 522 lbs.   | 36.6                | 21.8 | 25.1 | 17.9 | 14.4 | 6.5 | 20.6 | 12.3 | 4.2 | NA   |
| 20.0 SBEGA       | 741 lbs.   | 42.3                | 24.3 | 27.9 | 20.0 | 16.5 | 6.0 | 27.5 | 20.3 | 4.1 | 10.2 |
| 22.5 SBEGA       | 771 lbs.   | 42.3                | 24.3 | 27.9 | 20.0 | 16.5 | 6.0 | 27.6 | 20.3 | 4.1 | 10.2 |

*Drawings are for reference only and should not be used for installation. Detailed installation drawings are available upon request.*