

## Multiport EFI Generators

### A Leader in Technology

Westerbeke is the first company to bring constant speed electronic fuel injected (EFI) generators to the marine market. In addition, Westerbeke has secured two consecutive NMMA Innovation Awards for pioneering gasoline generator set design.

### Multiport EFI and Returnless Fuel System

The "Houseboat Series" generators feature sequential multiport electronic fuel injection (MPI). MPI provides optimum fuel efficiency, easy starting, improved reliability and reduced emissions. In conjunction with MPI, electronic speed control maintains the engine at a constant speed (precise frequency regulation) and virtually eliminates "bogging down" when load is applied. A water cooled, returnless fuel system aids in the prevention of vapor lock for improved performance in high ambient temperatures. MPI also features advanced diagnostic capabilities.

### Smooth and Quiet Operation

Houseboat generators operate at a quiet, Electronically controlled 1800 or 1500 rpm. Powered by 4-cylinder, 4-stroke engines that virtually eliminate vibration, the "Houseboat Series" gasoline generators are also extremely smooth running.

### Durable and Reliable

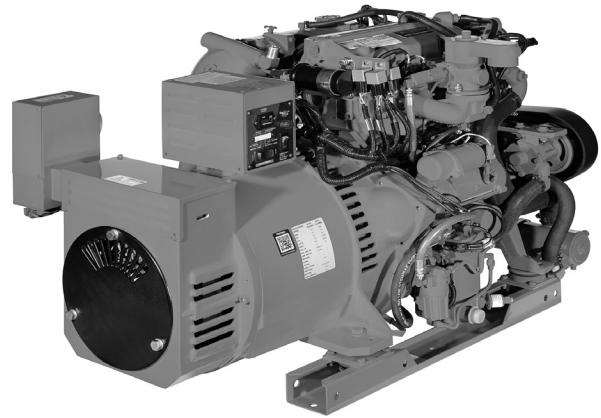
These modern overhead cam engines operate at a low rpm for long life and low maintenance. Customers can also rely on Westerbeke's stellar reputation in the houseboat industry from Lake Powell, U.S.A., to Lake Eildon, Australia.

### 5-Year Limited Warranty

"Houseboat Series" generators are backed by Westerbeke's 5-year limited warranty. The presence of Westerbeke in over 65 countries around the world provides customers with easy access to parts, service and technical support. Established in 1937, Westerbeke is committed to providing its customers with quality products and unequalled after sales support.

### Full Torque Power Take-Off

An optional PTO, back-end mounted for full torque power take-off, is available.



### Standard Features

- Simple, "one-touch" start/stop control panel with running hour meter and LED lights
- Multiport EFI
- Returnless fuel system
- Electronic governing
- Electronic voltage regulation
- Safety shut-downs—overspeed, low oil pressure, high exhaust temperature
- Fresh water cooling and coolant recovery tank
- Field convertible to 50 or 60 Hz
- A.C. circuit breaker
- 50 amp battery charging alternator
- Water injected exhaust elbow
- Belt-driven raw water pump
- Vibration isolators
- Lube oil drain hose
- Belt guard
- Operators' manual and parts list
- Meets applicable U.S.C.G. regulations
- Meets CARB & U.S. EPA regulations
- Ignition protected

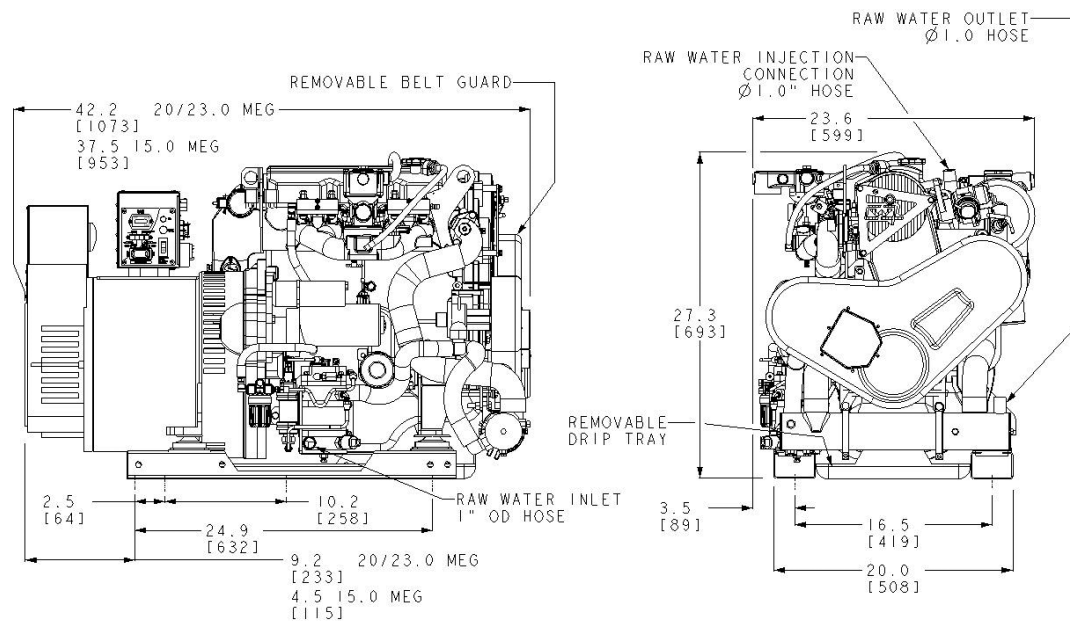
### Generator Design

**DESIGN:** Brushless, four pole, revolving field, power take-off  
**VOLTAGE REGULATION:** Standard +/- 2% no load to full load  
**FREQUENCY REGULATION:** .5 Hz (1%) no load to full load  
**INSULATION:** Class "H" as defined by NEMA MG1-1.66

**TEMPERATURE RISE:** Within NEMA MG1-22.40 operating at full load  
**COOLING:** Cast centrifugal blower, direct connected  
**ELECTROMAGNETIC INTERFERENCE LEVEL:** Exceeds requirements for most marine radio-telephones and standard TVs

Model (60Hz & 50Hz)	ELECTRICAL CHARACTERISTICS						RATINGS	ENGINE
	Volts	Amps	Hertz	Phase	Wire	P.F.	KW	RPM
15.0 MEG	120/240	125/62	60	1	4	1.0	15.0	1800
20.0 MEG	120/240	166/83	60	1	4	1.0	20.0	1800
23.0 MEG	120/240	187/93	60	1	4	1.0	23.0	1800
12.0 MEG	230	52	50	1	4	1.0	12.0	1500
16.0 MEG	230	69	50	1	4	1.0	16.0	1500
18.0 MEG	230	78	50	1	4	1.0	18.0	1500

SPECIFICATIONS (60Hz & 50Hz)	MODEL (60Hz)			MODEL (50Hz)		
	15.0 MEG	20.0 MEG	23.0 MEG	12.0 MEG	16.0 MEG	18.0 MEG
Number of Cylinders	4	4	4	4	4	4
Type	4 Cycle	4 Cycle	4 Cycle	4 Cycle	4 Cycle	4 Cycle
Displacement - Cubic Inches	133.3	133.3	133.3	133.3	133.3	133.3
Cylinder Bore & Stroke - Inches	3 3/8 x 3.70	3 3/8 x 3.70	3 3/8 x 3.70	3 3/8 x 3.70	3 3/8 x 3.70	3 3/8 x 3.70
Horsepower at 1800/1500 RPM	35/28	35/28	35/28	35/28	35/28	35/28
Exhaust Elbow Connection - Inches	3.0	3.0	3.0	3.0	3.0	3.0
Raw Water Connection - Inches	1.0	1.0	1.0	1.0	1.0	1.0
Dry Weight - Pounds	621	741	771	621	741	771
Cooling System Capacity - Quarts	9.5	9.5	9.5	9.5	9.5	9.5
Lube Oil Capacity - Quarts	4.5	4.5	4.5	4.5	4.5	4.5
Charging Alternator - Amps	50	50	50	50	50	50
Cold Cranking Amps - Amps	250	250	250	250	250	250
Electrical System - Neg. Gnd. - Volts	12	12	12	12	12	12
Approx. Full Load Fuel Consumption - GPH (1800 RPM)	1.94	2.35	2.55	NA	NA	NA
Approx. Full Load Fuel Consumption - LPH (1500 RPM)	NA	NA	NA	5.92	7.16	7.55



### Optional Equipment

- Remote Start-Stop Panel
- Ship-Shore Transfer Switch
- Hydro-Hush Muffler
- Anti-siphon Valve
- "A" & "B" On-board Spare Parts Kit

*Drawings are for reference only and should not be used for installation. Detailed installation drawings are available upon request.*