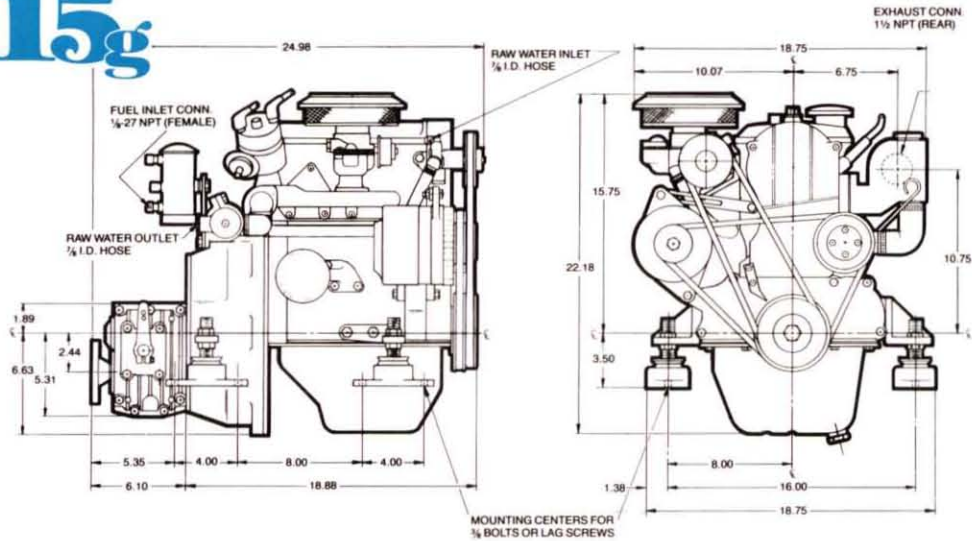
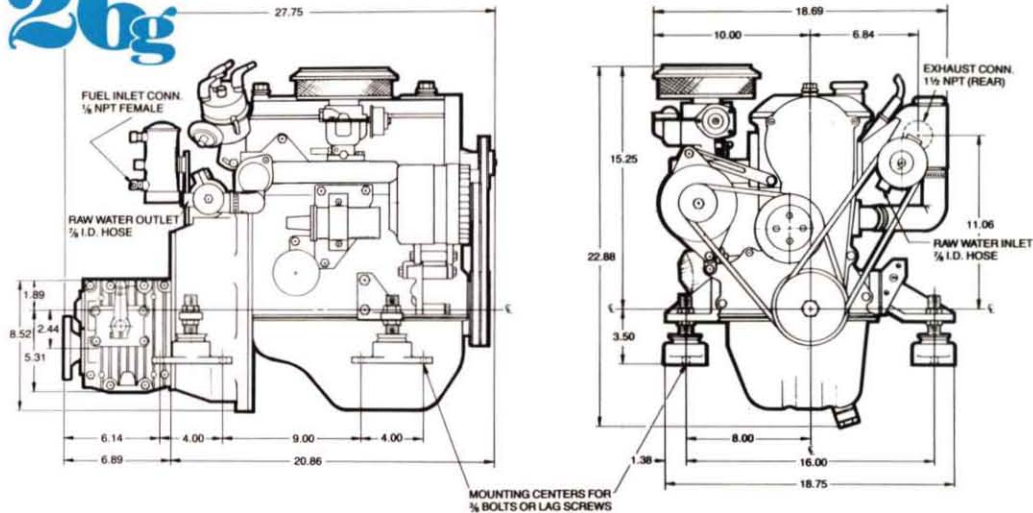


Four **NEW** Gasoline Marine Engines . . . from **WESTERBEKE**

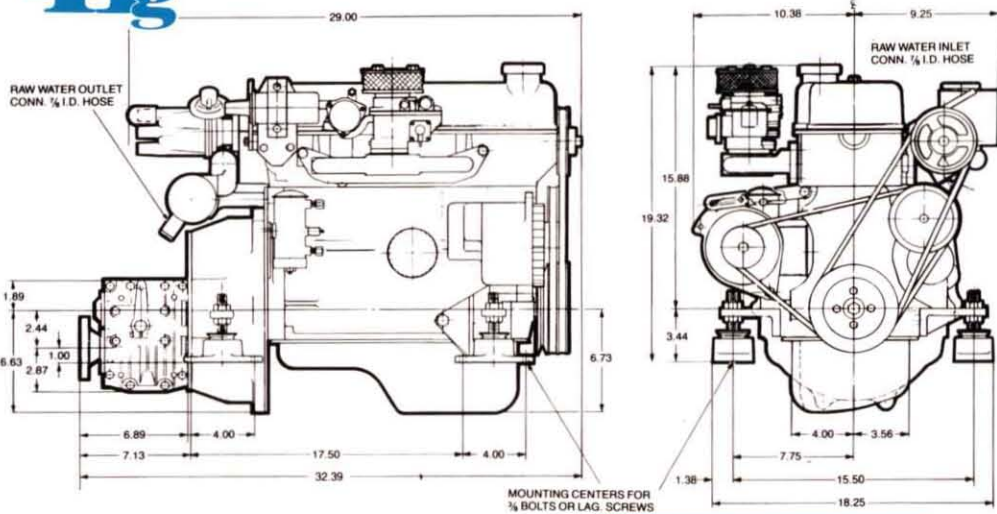
15g



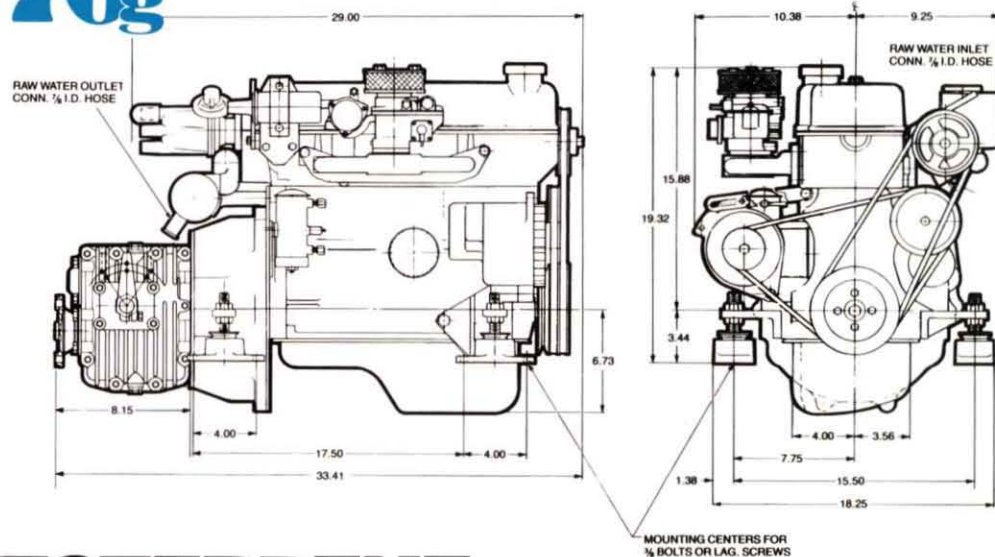
26g



41g



70g



W WESTERBEKE
AVON INDUSTRIAL PARK, AVON, MA 02322 • TEL: (617) 588-7700
TELEX: 92-4444 • FAX: (617) 559-9323 • CABLE: WESTCORP

