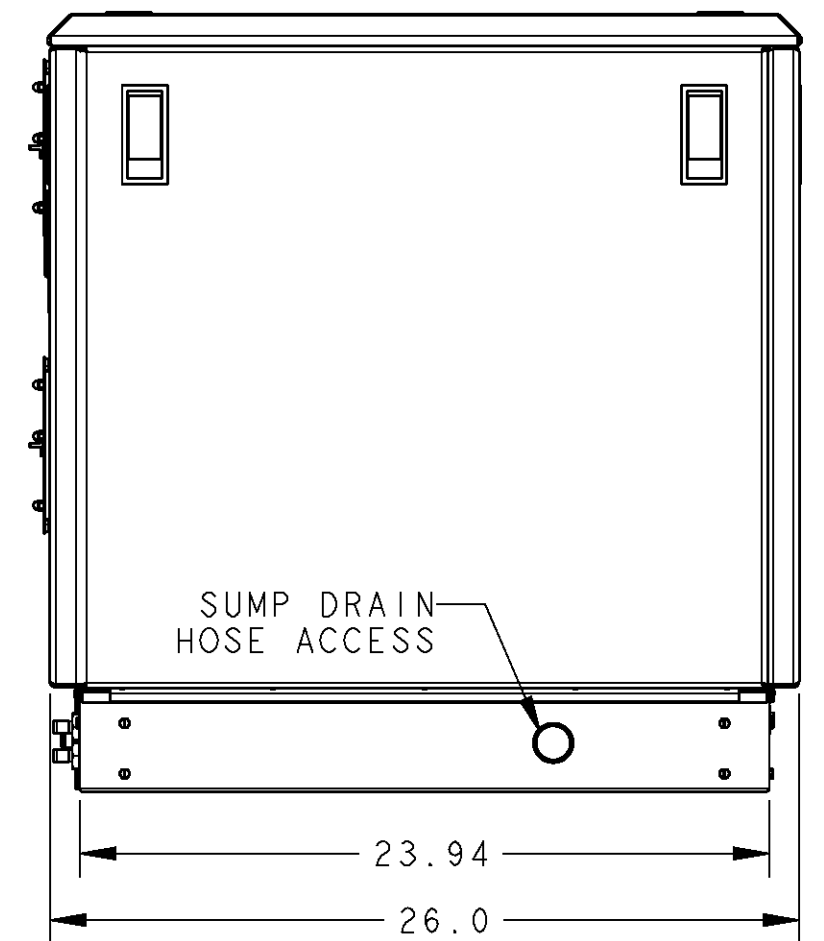
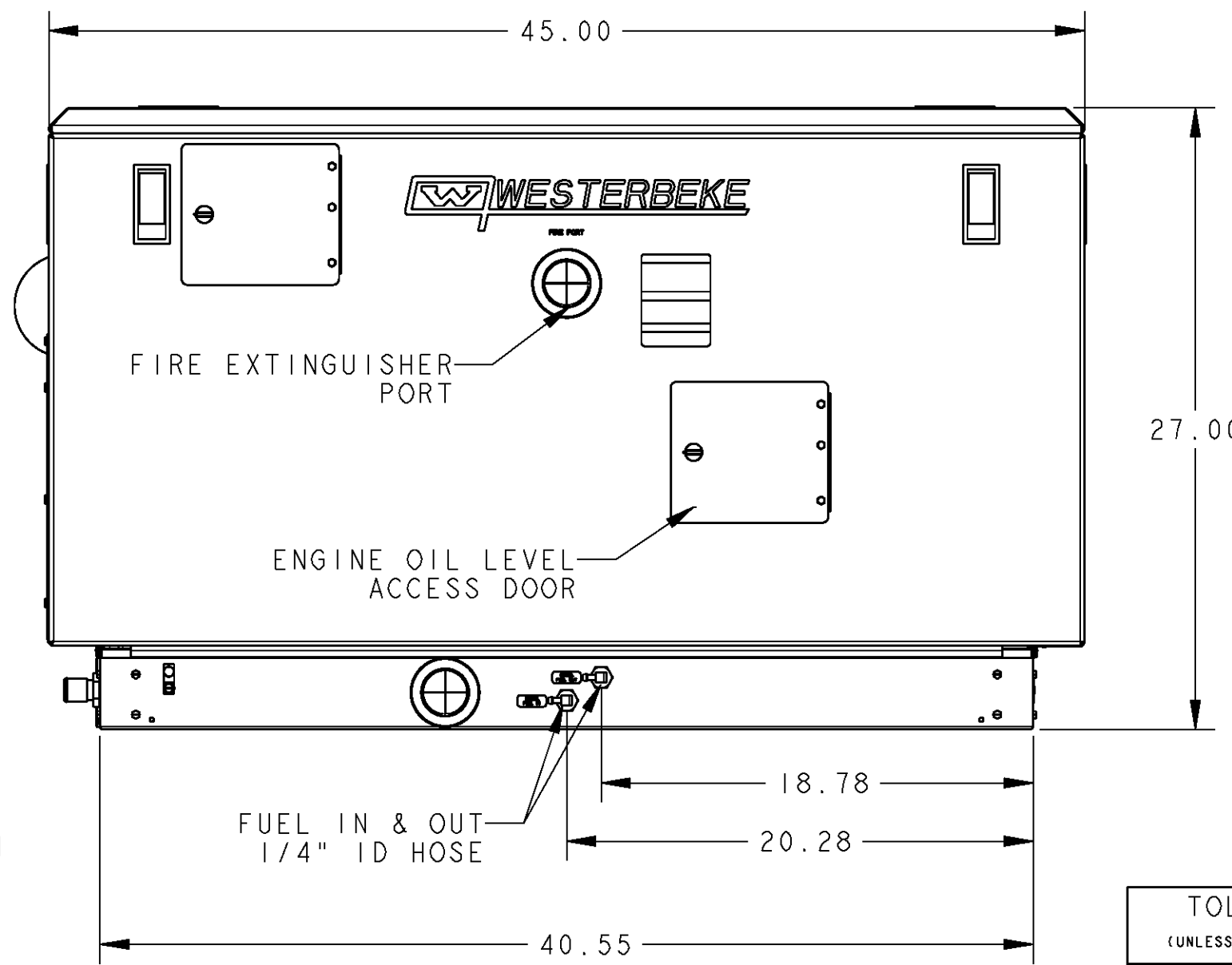
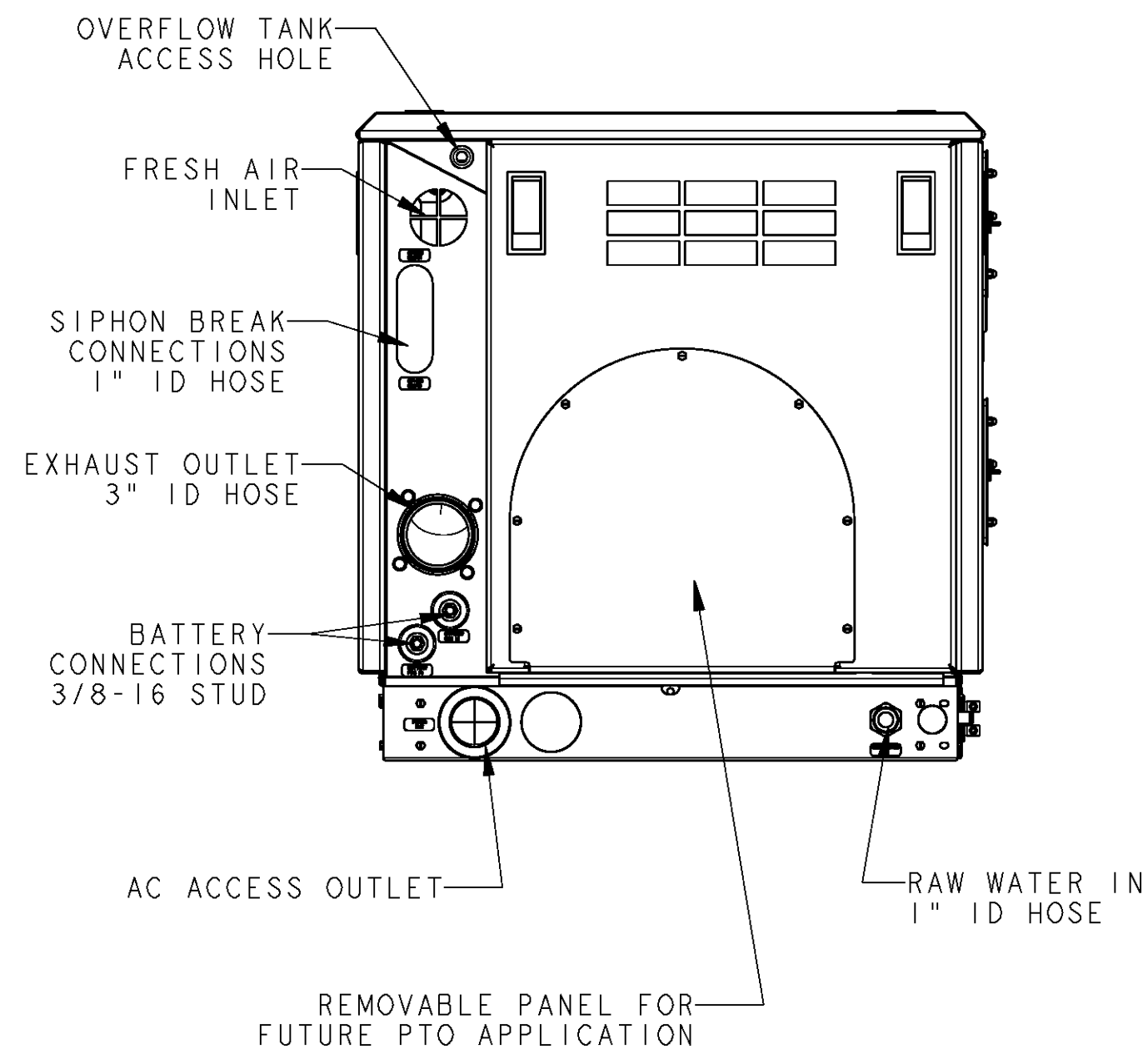
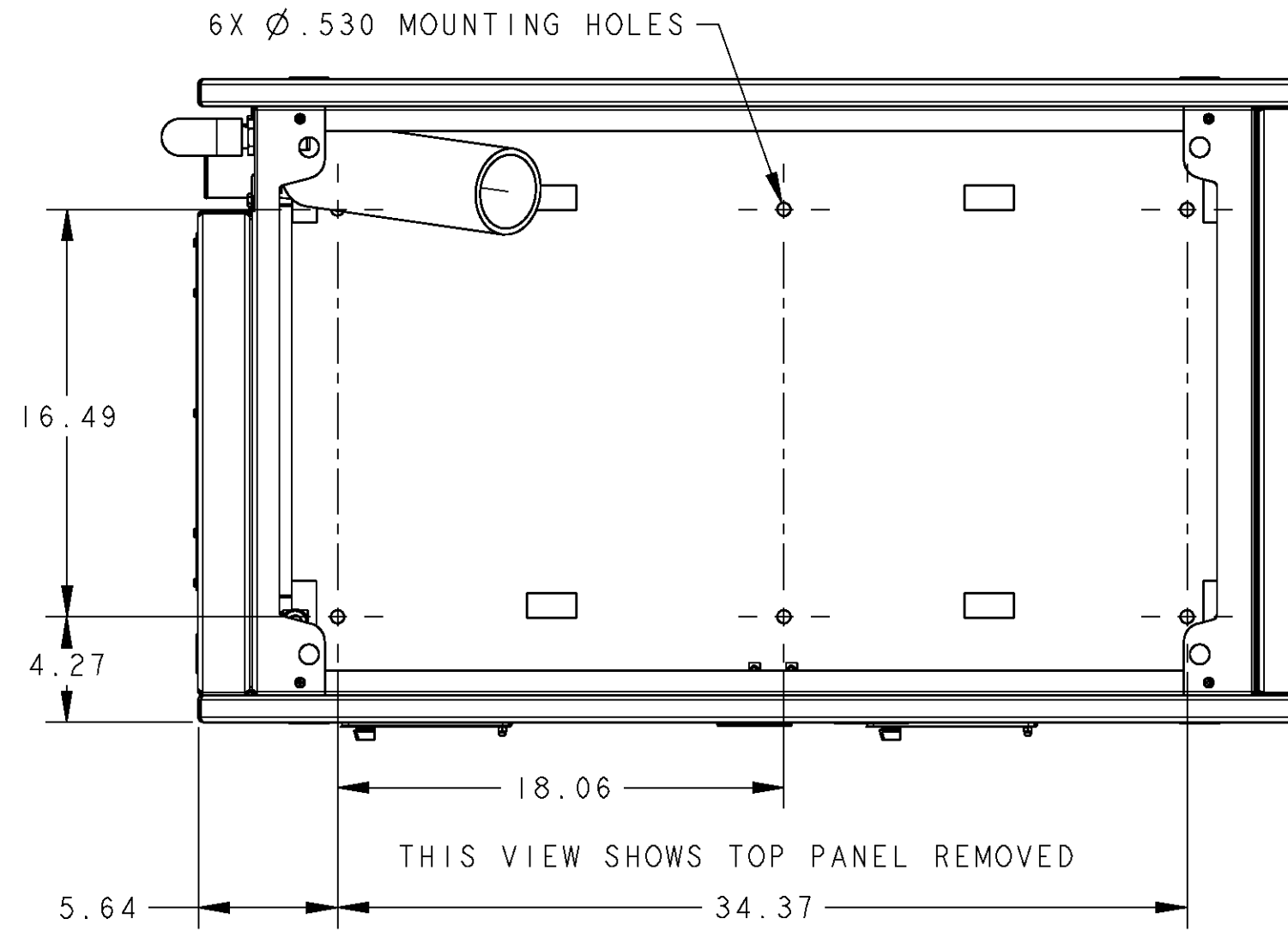


ECO NO.	DATE	REV.	REVISION RECORD	AUTH.	DR. BY
6420	12-5 2007	A	RELEASE FOR PRODUCTION.		GA
6479	3-12 2008	B	OVERALL DIM WAS 45.45Lx27.22Wx28.82H		GA



TOLERANCES (UNLESS OTHERWISE NOTED)		WESTERBEKE CORPORATION TAUNTON, MA. 02780	
INCHES .XX ± .02 .XXX ± .005 CAST ± .03 FINISH 83	MILLIMETERS X ± 1.0 .X ± .5 .XX ± .13	TITLE SOUND GUARD SSTE 22.0 EDE INSTALLATION DRAWING	
DIMENSIONS INCHES MILLIMETERS (WHEN APPLICABLE)		DRAWN BY GA	DATE 29/Nov/07
		APPROVED BY	MATERIAL: --- --- ---
		SCALE 0.150	SIZE C
		SHT. 1 OF 1	DRAWING NUMBER 53811
			REV. B