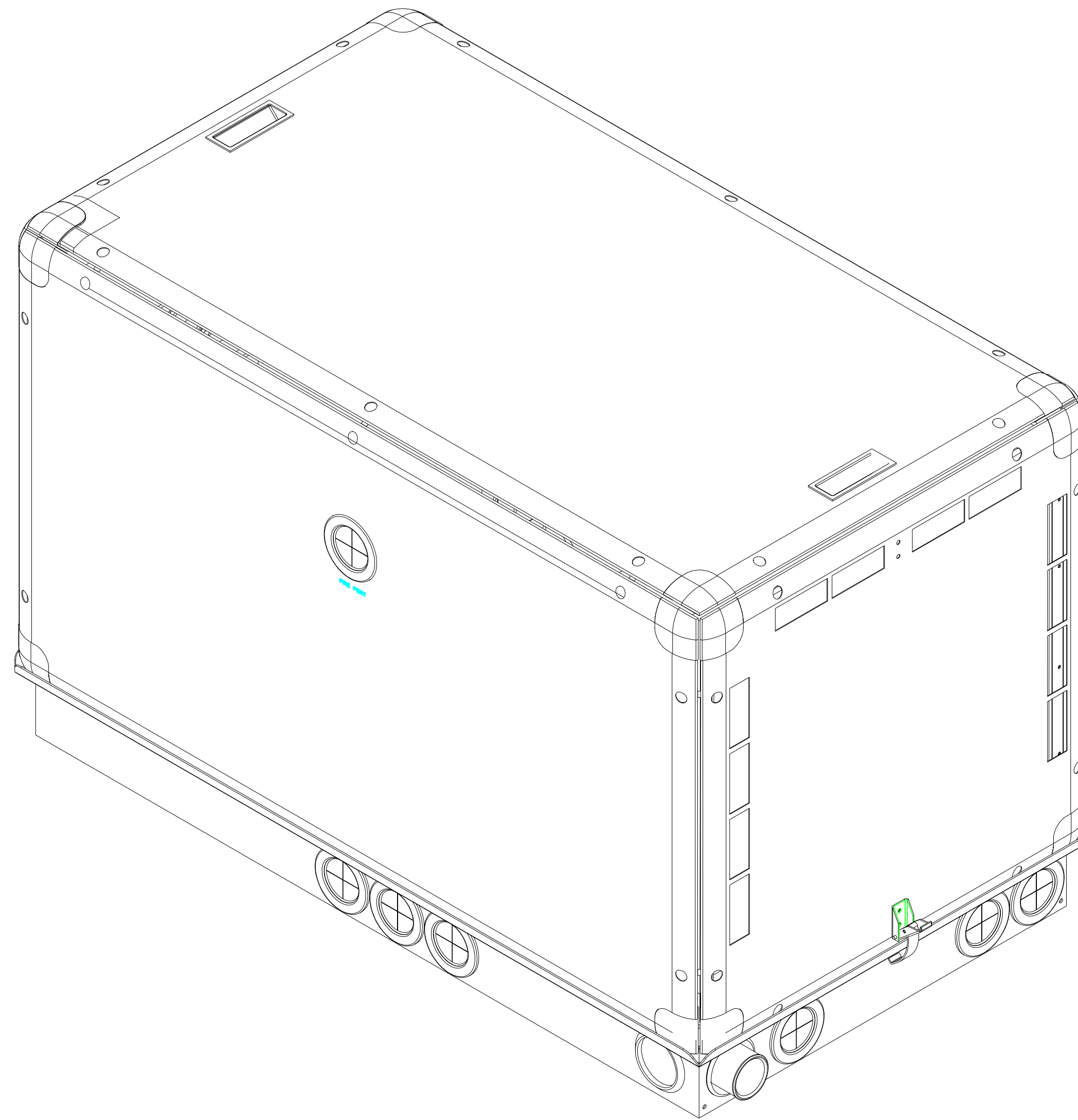
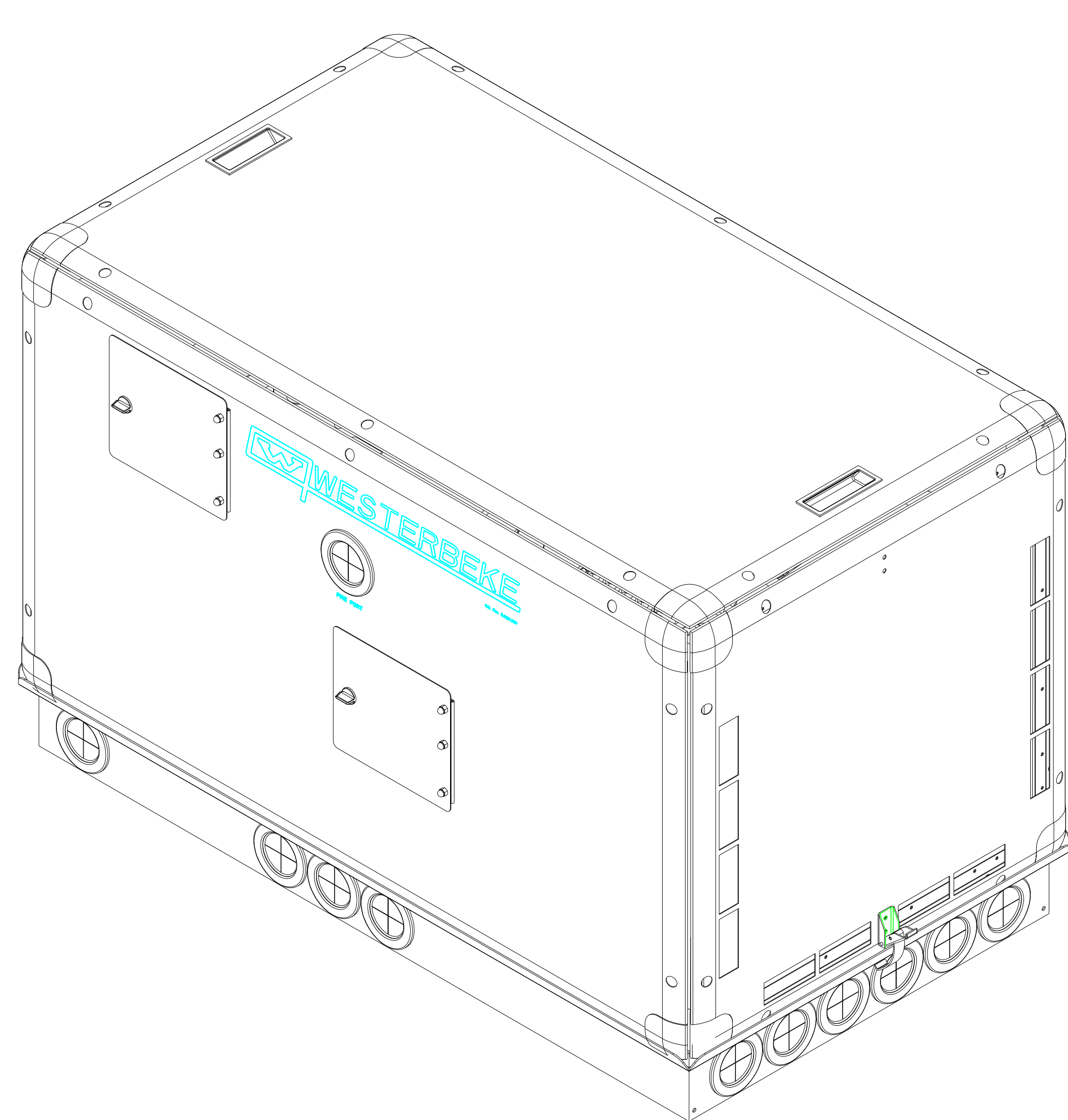
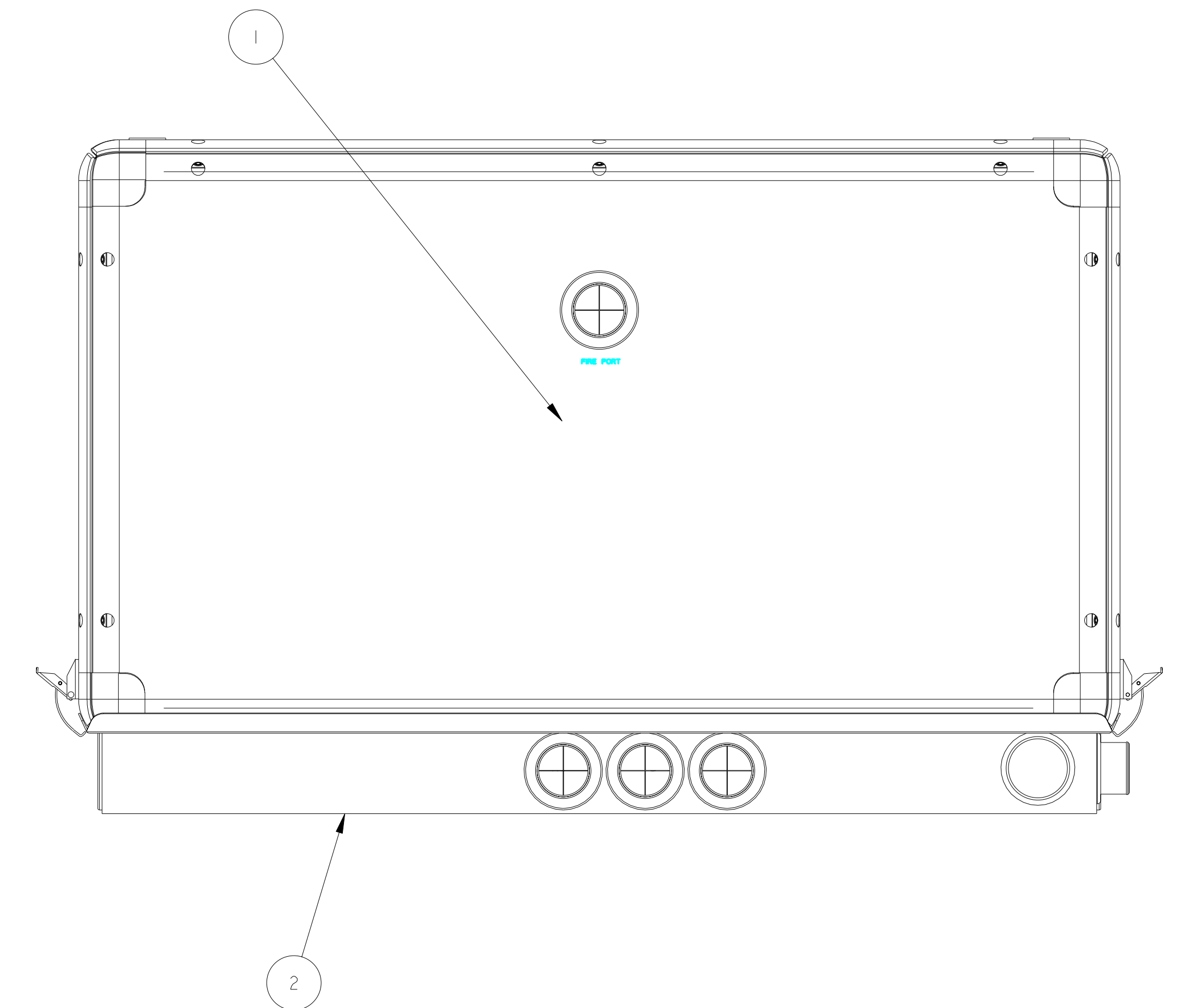
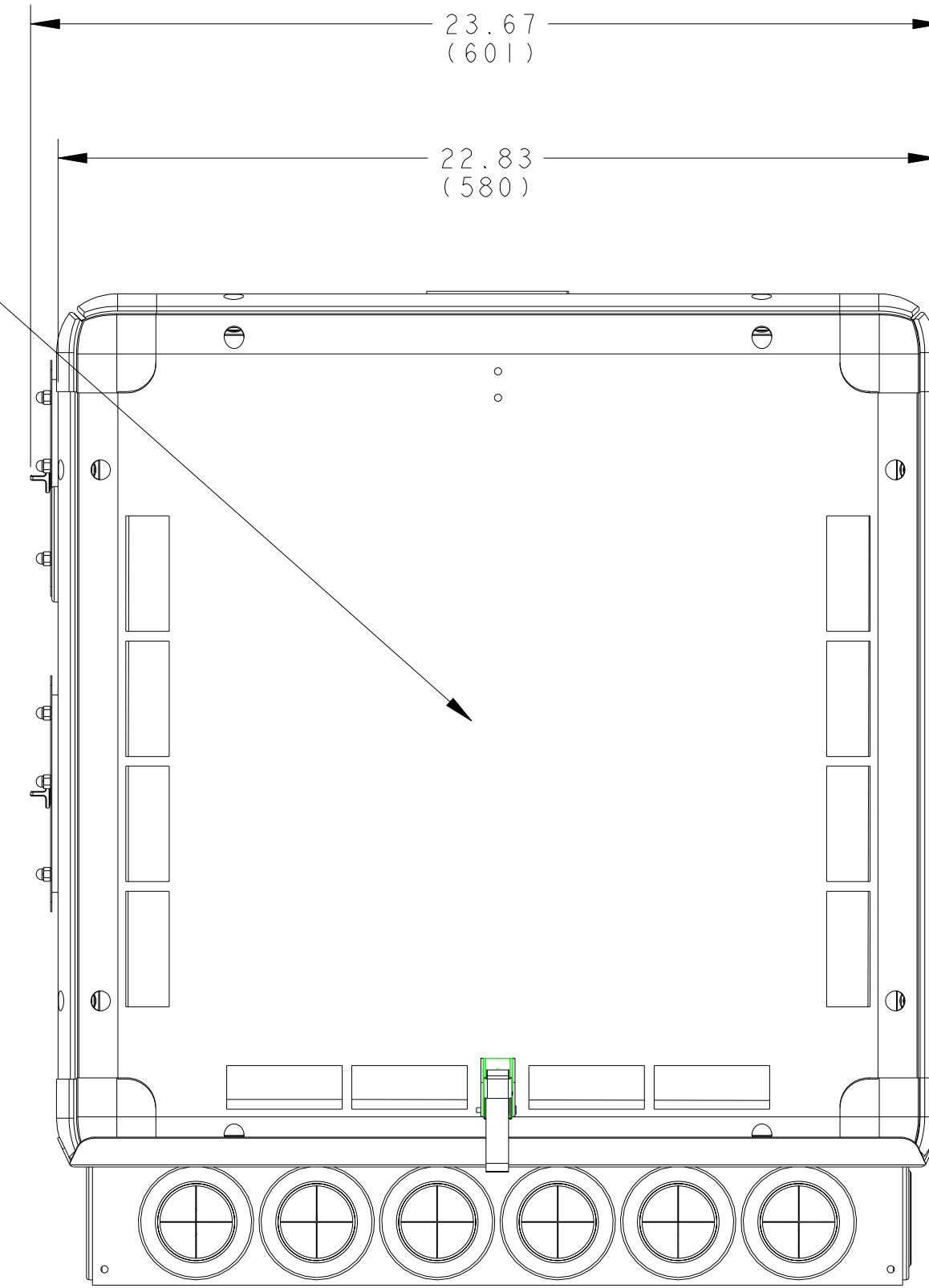
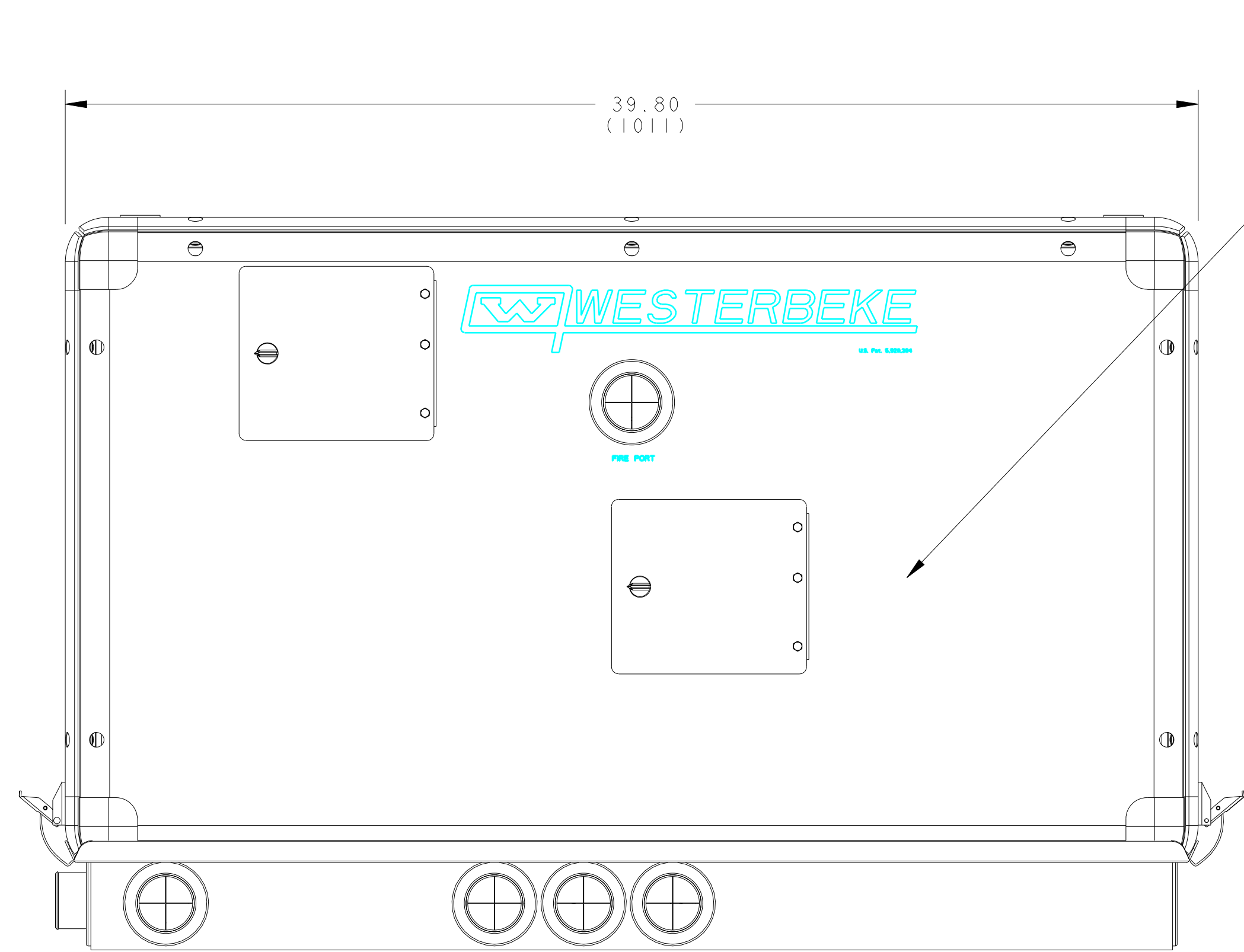
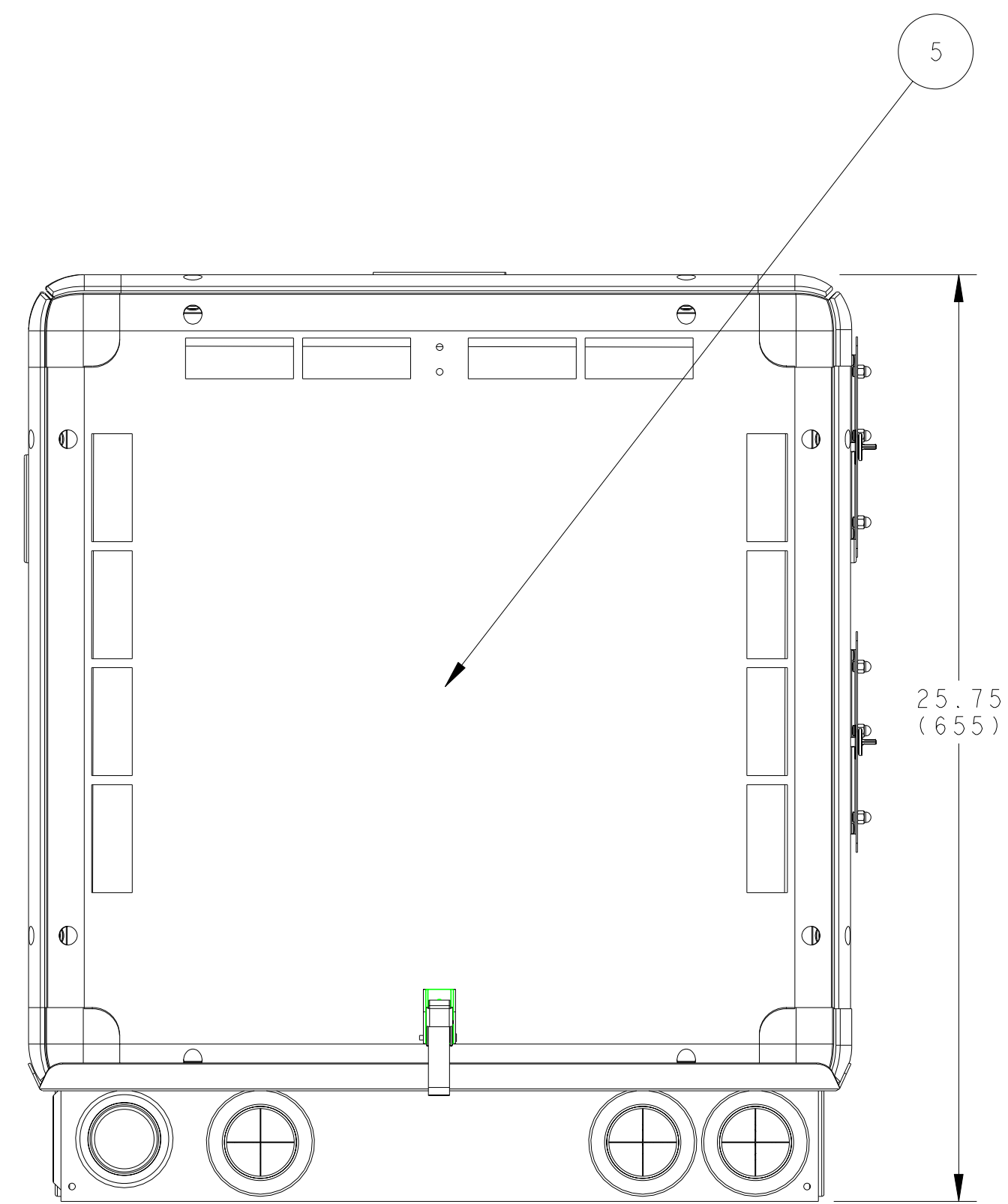
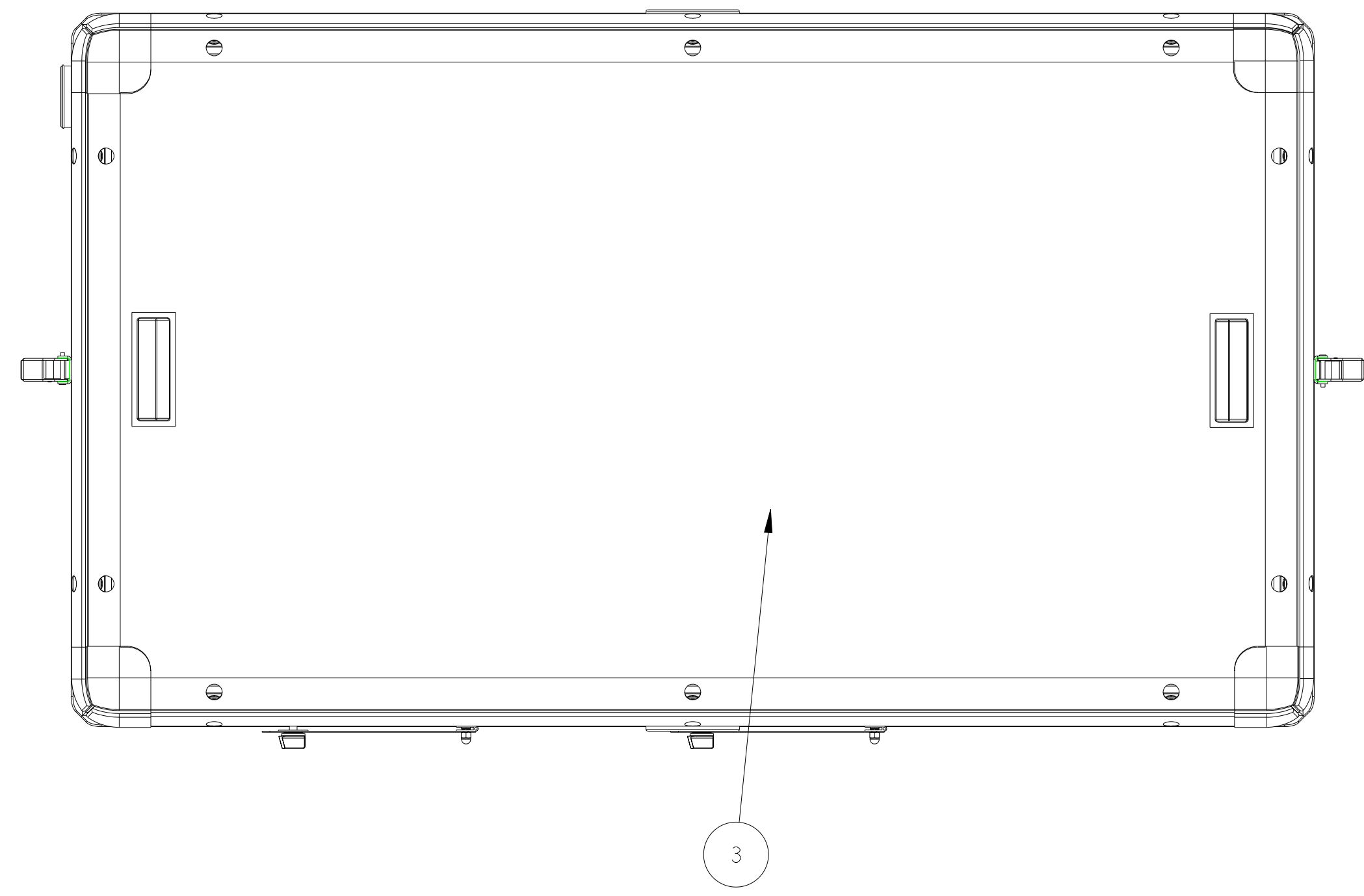


ECO NO.	DATE	REV.	REVISION RECORD	AUTH.	DR. BY
4305	11-18-99	A	ADDED (1) 44273 FORM, INSTALL SG DIESEL	ABK	ABK
5271	4-24-02	B	REMOVED (1) #43445 SIDE PANEL AND ADDED (1) #47642 SERVICE SIDE PANEL	WRM	WRM



SCALE 0.250

SCALE 0.250

ITEM'S 7, 8, 9, 10 NOT SHOWN

ITEM	PART No.	QTY.	DESCRIPTION
(A) 10	44273	1	FORM, INSTALL SG DIESEL 5-32KW
9	37298	1	COVER, BT GENSET
8	44133	1	CARTON, FILLER
7	44132	1	CARTON, MASTER
(B) 6	47462	1	PANEL, SOUND GUARD - SERVICE SIDE
5	43449	1	PANEL, SOUND GUARD REAR
4	43448	1	PANEL, SOUND GUARD FRONT
3	43447	1	PANEL, SOUND GUARD TOP
2	43446	1	BASE, SOUND GUARD
(B) 1	43445	1	PANEL, SOUND GUARD SIDE

TOLERANCES		WESTERBEKE CORPORATION TAUNTON, MA. 02780	
(UNLESS OTHERWISE NOTED)			
INCHES	MILLIMETERS	DATE	MATERIAL
.XX	.02	1/10/99	SEE BOM
.XXX	.005		
C&T	.03		
FINISH			

DIMENSIONS	APPROVED BY	DATE	SIZE	DRAWING NUMBER	REV.
INCHES	ABK		SCALE 0.250	E	43372
MILLIMETERS			SHT. 1 OF 1		B